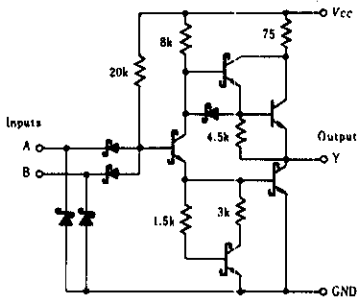
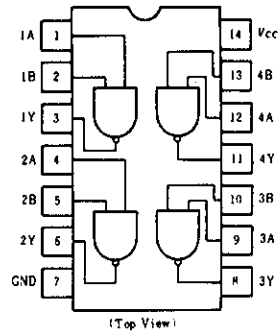


HD74LS00 ● Quadruple 2-input Positive NAND Gates

■ CIRCUIT SCHEMATIC (1/4)



■ PIN ARRANGEMENT



■ ELECTRICAL CHARACTERISTICS ($T_a = -20 \sim +75^\circ\text{C}$)

Item	Symbol	Test Conditions	min	typ*	max	Unit	
Input voltage	V_{IH}		2.0	—	—	V	
	V_{IL}		—	—	0.8	V	
Output voltage	V_{OH}	$V_{CC}=4.75\text{V}$, $V_{IL}=0.8\text{V}$, $I_{OH}=-400\mu\text{A}$	2.7	—	—	V	
	V_{OL}	$V_{CC}=4.75\text{V}$, $V_{IH}=2\text{V}$	$I_{OL}=8\text{mA}$	—	—	0.5	V
			$I_{OL}=4\text{mA}$	—	—	0.4	
Input current	I_{IH}	$V_{CC}=5.25\text{V}$, $V_I=2.7\text{V}$	—	—	20	μA	
	I_{IL}	$V_{CC}=5.25\text{V}$, $V_I=0.4\text{V}$	—	—	-0.4	mA	
	I_I	$V_{CC}=5.25\text{V}$, $V_I=7\text{V}$	—	—	0.1	mA	
Short-circuit output current	I_{OS}	$V_{CC}=5.25\text{V}$	-20	—	-100	mA	
Supply current	I_{CCH}	$V_{CC}=5.25\text{V}$	—	0.8	1.6	mA	
	I_{CCL}	$V_{CC}=5.25\text{V}$	—	2.4	4.4	mA	
Input clamp voltage	V_{IK}	$V_{CC}=4.75\text{V}$, $I_{IH}=-18\text{mA}$	—	—	-1.5	V	

* $V_{CC}=5\text{V}$, $T_a=25^\circ\text{C}$

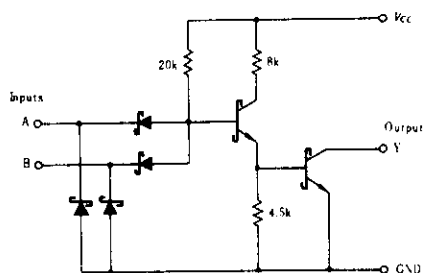
■ SWITCHING CHARACTERISTICS ($V_{CC}=5\text{V}$, $T_a=25^\circ\text{C}$)

Item	Symbol	Test Conditions	min	typ	max	Unit
Propagation delay time	t_{PLH}	$C_L=15\text{pF}$, $R_L=2\text{k}\Omega$	—	9	15	ns
	t_{PHL}		—	10	15	ns

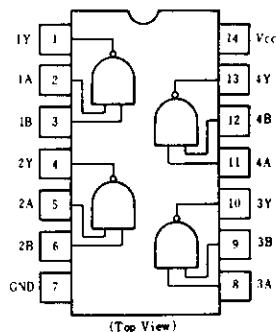
Note) Refer to Test Circuit and Waveform of the Common Item

HD74LS01 ● Quadruple 2-input Positive NAND Gates (with Open Collector Outputs)

■ CIRCUIT SCHEMATIC (1/4)



■ PIN ARRANGEMENT



■ RECOMMENDED OPERATING CONDITIONS

Item	Symbol	min	typ	max	Unit
High level output voltage	V_{OH}	—	—	5.5	V
Low level output current	I_{OL}	—	—	8	mA

■ ELECTRICAL CHARACTERISTICS ($T_a = -20 \sim +75^\circ\text{C}$)

Item	Symbol	Test Conditions	min	typ*	max	Unit	
Input voltage	V_{IH}		2.0	—	—	V	
	V_{IL}		—	—	0.8	V	
Output voltage	V_{OL}	$V_{CC} = 4.75\text{V}, V_I = 2.7\text{V}$	$I_{OL} = 8\text{mA}$	—	—	0.5	V
			$I_{OL} = 4\text{mA}$	—	—	0.4	
Input current	I_{IH}	$V_{CC} = 5.25\text{V}, V_I = 2.7\text{V}$	—	—	2.0	μA	
	I_{IL}	$V_{CC} = 5.25\text{V}, V_I = 0.4\text{V}$	—	—	-0.4	mA	
	I_I	$V_{CC} = 5.25\text{V}, V_I = 7\text{V}$	—	—	0.1	mA	
Output current	I_{OH}	$V_{CC} = 4.75\text{V}, V_{IL} = 0.8\text{V}, V_{OH} = 5.5\text{V}$	—	—	100	μA	
Supply current	I_{CCH}	$V_{CC} = 5.25\text{V}$	—	0.8	1.6	mA	
	I_{CCL}	$V_{CC} = 5.25\text{V}$	—	2.4	4.4	mA	
Input clamp voltage	V_{IK}	$V_{CC} = 4.75\text{V}, I_{IN} = -18\text{mA}$	—	—	-1.5	V	

* $V_{CC} = 5\text{V}, T_a = 25^\circ\text{C}$

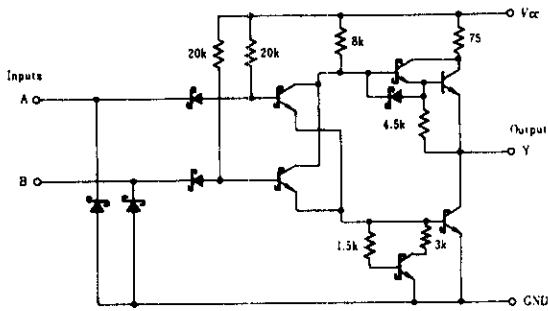
■ SWITCHING CHARACTERISTICS ($V_{CC} = 5\text{V}, T_a = 25^\circ\text{C}$)

Item	Symbol	Test Conditions	min	typ	max	Unit
Propagation delay time	t_{PLH}	$C_L = 15\text{pF}, R_L = 2\text{k}\Omega$	—	17	32	ns
	t_{PHL}		—	15	28	ns

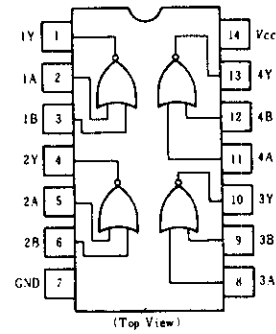
Note) Refer to Test Circuit and Waveform of the Common Item

HD74LS02 • Quadruple 2-input Positive NOR Gates

■ CIRCUIT SCHEMATIC (1/4)



■ PIN ARRANGEMENT



■ ELECTRICAL CHARACTERISTICS ($T_a = -20 \sim +75^\circ\text{C}$)

Item	Symbol	Test Conditions	min	typ*	max	Unit	
Input voltage	V_{IH}		2.0	—	—	V	
	V_{IL}		—	—	0.8	V	
Output voltage	V_{OH}	$V_{CC}=4.75\text{V}, V_{IL}=0.8\text{V}, I_{OH}=-400\mu\text{A}$	2.7	—	—	V	
	V_{OL}	$V_{CC}=4.75\text{V}, V_{IH}=2\text{V}$	$I_{OL}=8\text{mA}$	—	—	0.5	V
			$I_{OL}=4\text{mA}$	—	—	0.4	
Input current	I_{IH}	$V_{CC}=5.25\text{V}, V_I=2.7\text{V}$	—	—	20	μA	
	I_{IL}	$V_{CC}=5.25\text{V}, V_I=0.4\text{V}$	—	—	-0.4	mA	
	I_I	$V_{CC}=5.25\text{V}, V_I=7\text{V}$	—	—	0.1	mA	
Short-circuit output current	I_{OS}	$V_{CC}=5.25\text{V}$	-20	—	-100	mA	
Supply current	I_{CCH}	$V_{CC}=5.25\text{V}$	—	1.6	3.2	mA	
	I_{CCL}	$V_{CC}=5.25\text{V}$	—	2.8	5.4	mA	
Input clamp voltage	V_{IK}	$V_{CC}=4.75\text{V}, I_{IN}=-18\text{mA}$	—	—	-1.5	V	

* $V_{CC}=5\text{V}, T_a=25^\circ\text{C}$

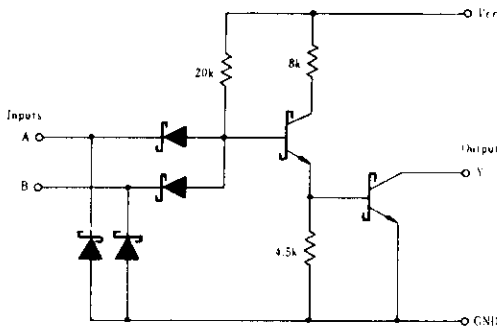
■ SWITCHING CHARACTERISTICS ($V_{CC}=5\text{V}, T_a=25^\circ\text{C}$)

Item	Symbol	Test Conditions	min	typ	max	Unit
Propagation delay time	t_{PLH}	$C_L=15\text{pF}, R_L=2\text{k}\Omega$	—	10	15	ns
	t_{PHL}		—	10	15	ns

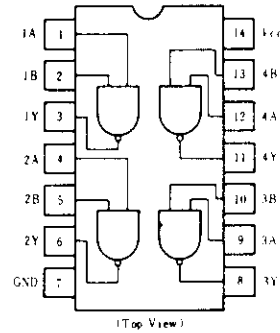
Note) Refer to Test Circuit and Waveform of the Common Item

HD74LS03 ● Quadruple 2-input Positive NAND Gates (with Open Collector Outputs)

■ CIRCUIT SCHEMATIC (1/4)



■ PIN ARRANGEMENT



■ RECOMMENDED OPERATING CONDITIONS

Item	Symbol	min	typ	max	Unit
High level output voltage	V_{OH}	—	—	5.5	V
Low level output current	I_{OL}	—	—	8	mA

■ ELECTRICAL CHARACTERISTICS ($T_a = -20 \sim +75^\circ\text{C}$)

Item	Symbol	Test Conditions	min	typ*	max	Unit	
Input voltage	V_{IH}		2.0	—	—	V	
	V_{IL}		—	—	0.8	V	
Output voltage	V_{OL}	$V_{CC} = 4.75\text{V}, V_I = 2\text{V}$	$I_{OL} = 8\text{mA}$	—	—	0.5	V
			$I_{OL} = 4\text{mA}$	—	—	0.4	
Input current	I_{IH}	$V_{CC} = 5.25\text{V}, V_I = 2.7\text{V}$	—	—	20	μA	
	I_{IL}	$V_{CC} = 5.25\text{V}, V_I = 0.4\text{V}$	—	—	-0.4	mA	
	I_I	$V_{CC} = 5.25\text{V}, V_I = 7\text{V}$	—	—	0.1	mA	
Output current	I_{OH}	$V_{CC} = 4.75\text{V}, V_{IL} = 0.8\text{V}, V_{OH} = 5.5\text{V}$	—	—	100	μA	
Supply current	I_{CCH}	$V_{CC} = 5.25\text{V}$	—	0.8	1.6	mA	
	I_{CCL}	$V_{CC} = 5.25\text{V}$	—	2.4	4.4	mA	
Input clamp voltage	V_{IK}	$V_{CC} = 4.75\text{V}, I_{IN} = -18\text{mA}$	—	—	-1.5	V	

* $V_{CC} = 5\text{V}, T_a = 25^\circ\text{C}$

■ SWITCHING CHARACTERISTICS ($V_{CC} = 5\text{V}, T_a = 25^\circ\text{C}$)

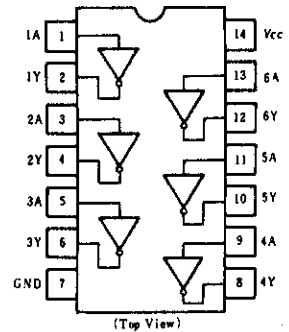
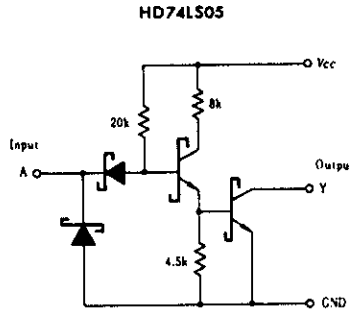
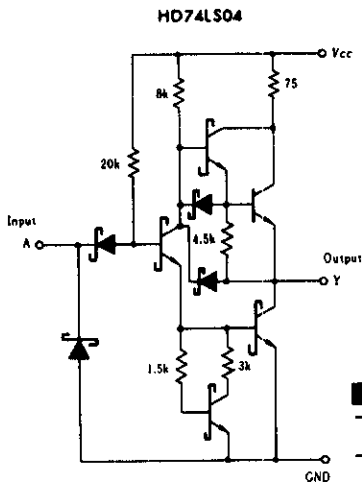
Item	Symbol	Test Conditions	min	typ	max	Unit
Propagation delay time	t_{PLH}	$C_L = 15\text{pF}, R_L = 2\text{k}\Omega$	—	17	32	ns
	t_{PHL}		—	15	28	ns

Note) Refer to Test Circuit and Waveform of the Common Item

HD74LS04/HD74LS05 ●Hex Inverters (with Open Collector Outputs)

■CIRCUIT SCHEMATIC(1/6)

■PIN ARRANGEMENT



■HD74LS05 RECOMMENDED OPERATING CONDITIONS

Item	Symbol	min	typ	max	Unit
High level output voltage	V_{OH}	—	—	5.5	V
Low level output current	I_{OL}	—	—	8	mA

■ELECTRICAL CHARACTERISTICS ($T_a = -20 \sim +75^\circ\text{C}$)

Item	Symbol	Test Conditions	HD74LS04			HD74LS05			Unit	
			min	typ*	max	min	typ*	max		
Input voltage	V_{IH}		2.0	—	—	2.0	—	—	V	
	V_{IL}		—	—	0.8	—	—	0.8	V	
Output voltage	V_{OH}	$V_{CC}=4.75\text{V}, V_{IL}=0.8\text{V}, I_{OH}=-400\mu\text{A}$	2.7	—	—	—	—	—	V	
	V_{OL}	$V_{CC}=4.75\text{V}, V_{IH}=2\text{V}$	$I_{OL}=8\text{mA}$	—	—	0.5	—	—	0.5	V
			$I_{OL}=4\text{mA}$	—	—	0.4	—	—	0.4	
Output current	I_{OH}	$V_{CC}=4.75\text{V}, V_{IL}=0.8\text{V}, V_{OH}=5.5\text{V}$	—	—	—	—	—	100	μA	
Input current	I_{IH}	$V_{CC}=5.25\text{V}, V_I=2.7\text{V}$	—	—	20	—	—	20	μA	
	I_{IL}	$V_{CC}=5.25\text{V}, V_I=0.4\text{V}$	—	—	-0.4	—	—	-0.4	mA	
	I_I	$V_{CC}=5.25\text{V}, V_I=7\text{V}$	—	—	0.1	—	—	0.1	mA	
Short-circuit output current	I_{OS}	$V_{CC}=5.25\text{V}$	-20	—	-100	—	—	—	mA	
Supply current	I_{CCN}	$V_{CC}=5.25\text{V}$	—	1.2	2.4	—	1.2	2.4	mA	
	I_{CCL}		—	3.6	6.6	—	3.6	6.6		
Input clamp voltage	V_{IK}	$V_{CC}=4.75\text{V}, I_{IN}=-18\text{mA}$	—	—	-1.5	—	—	-1.5	V	

* $V_{CC}=5\text{V}, T_a=25^\circ\text{C}$

■SWITCHING CHARACTERISTICS ($V_{CC}=5\text{V}, T_a=25^\circ\text{C}$)

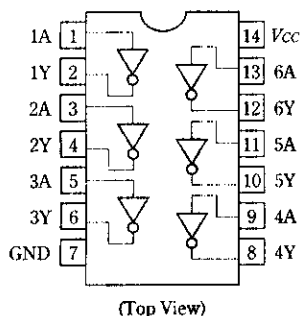
Item	Symbol	Test Conditions	HD74LS04			HD74LS05			Unit
			min	typ	max	min	typ	max	
Propagation delay time	t_{PLH}	$C_L=15\text{pF}, R_L=2\text{k}\Omega$	—	9	15	—	17	32	ns
	t_{PHL}		—	10	15	—	15	28	

Note) Refer to Test Circuit and Waveform of the Common Item

HD74LS06

● Hex Inverter Buffers/Drivers (With Open Collector High-Voltage Outputs)

■ PIN ARRANGEMENT



■ ABSOLUTE MAXIMUM RATINGS

Item	Symbol	Ratings	Unit
Supply voltage	V_{CC}	7.0	V
Input voltage	V_{IN}	7.0	V
Output voltage	V_{out}	30	V
Operating temperature range	T_{opr}	-20 ~ +75	°C
Storage temperature range	T_{stg}	-65 ~ +150	°C

■ RECOMMENDED OPERATING CONDITIONS

Item	Symbol	min	typ	max	Unit
Supply voltage	V_{CC}	4.75	5.00	5.25	V
High level output voltage	V_{OH}	-	-	30	V
Low level output current	I_{OL}	-	-	48	mA
Operating temperature range	T_{opr}	-20	25	75	°C

■ ELECTRICAL CHARACTERISTICS ($T_a = -20 \sim +75^\circ\text{C}$)

Item	Symbol	Test Conditions	min	typ*	max	Unit	
Input voltage	V_{IH}		2.0	-	-	V	
	V_{IL}		-	-	0.8	V	
Output voltage	V_{OL}	$V_{CC} = 4.75\text{V}, V_{IH} = 2\text{V}$	$I_{OL} = 24\text{mA}$	-	-	0.4	V
			$I_{OL} = 48\text{mA}$	-	-	0.5	V
Input current	I_{IH}	$V_{CC} = 5.25\text{V}, V_I = 2.7\text{V}$	-	-	20	μA	
	I_{IL}	$V_{CC} = 5.25\text{V}, V_I = 0.4\text{V}$	-	-	-0.4	mA	
	I_I	$V_{CC} = 5.25\text{V}, V_I = 7\text{V}$	-	-	0.1	mA	
Output current	I_{OH}	$V_{CC} = 4.75\text{V}, V_{IL} = 0.8\text{V}, V_{OH} = 30\text{V}$	-	-	250	μA	
Supply current	I_{CCH}	$V_{CC} = 5.25\text{V}$	-	23	48	mA	
	I_{CCL}	$V_{CC} = 5.25\text{V}$	-	21	51	mA	
Input clamp voltage	V_{IK}	$V_{CC} = 4.75\text{V}, I_{IN} = -18\text{mA}$	-	-	-1.5	V	

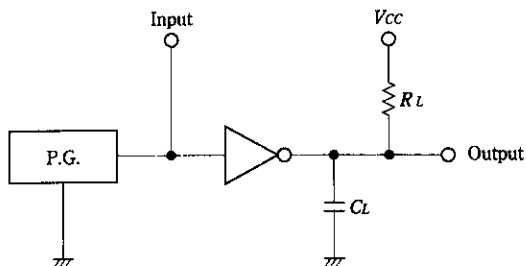
* $V_{CC} = 5\text{V}, T_a = 25^\circ\text{C}$

■ SWITCHING CHARACTERISTICS ($V_{CC} = 5\text{V}, T_a = 25^\circ\text{C}$)

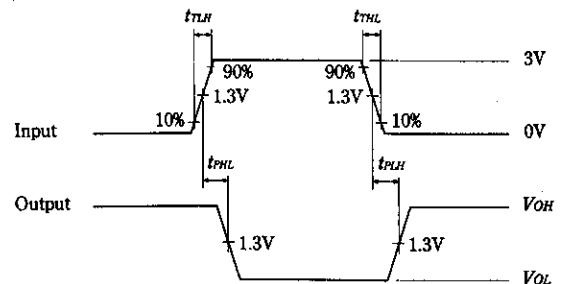
Item	Symbol	Test Conditions	min	typ	max	Unit
Propagation delay time	t_{PLH}	$C_L = 15\text{pF}, R_L = 110\Omega$	-	10	15	ns
	t_{PHL}		-	15	23	ns

■ TESTING METHOD

Test Circuit



Waveform

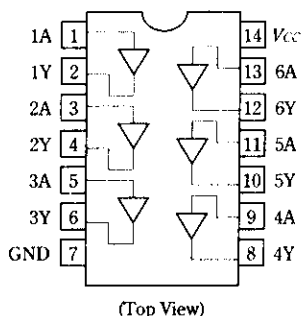


- Notes)
1. Input pulse: PRR = 1MHz, duty cycle 50%, $Z_{out} = 50\Omega, t_{TLH} \leq 15\text{ns}, t_{THL} \leq 6\text{ns}$
 2. C_L includes probe and jig capacitance.
 3. All diodes are 1S2074(H)

HD74LS07

● Hex Buffers/Drivers (With Open Collector High-Voltage Outputs)

■ PIN ARRANGEMENT



■ ABSOLUTE MAXIMUM RATINGS

Item	Symbol	Ratings	Unit
Supply voltage	V_{CC}	7.0	V
Input voltage	V_{IN}	7.0	V
Output voltage	V_{out}	30	V
Operating temperature range	T_{opr}	-20 ~ +75	°C
Storage temperature range	T_{stg}	-65 ~ +150	°C

■ RECOMMENDED OPERATING CONDITIONS

Item	Symbol	min	typ	max	Unit
Supply voltage	V_{CC}	4.75	5.00	5.25	V
High level output voltage	V_{OH}	-	-	30	V
Low level output current	I_{OL}	-	-	48	mA
Operating temperature range	T_{opr}	-20	25	75	°C

■ ELECTRICAL CHARACTERISTICS ($T_a = -20 \sim +75^\circ\text{C}$)

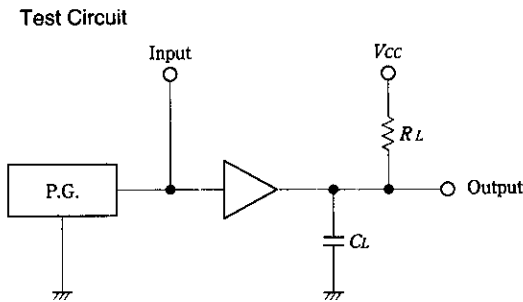
Item	Symbol	Test Conditions	min	typ*	max	Unit	
Input voltage	V_{IH}		2.0	-	-	V	
	V_{IL}		-	-	0.8	V	
Output voltage	V_{OL}	$V_{CC} = 4.75\text{V}, V_{IL} = 0.8\text{V}$	$I_{OL} = 24\text{mA}$	-	-	0.4	V
			$I_{OL} = 48\text{mA}$	-	-	0.5	V
Input current	I_{IH}	$V_{CC} = 5.25\text{V}, V_I = 2.7\text{V}$	-	-	20	μA	
	I_{IL}	$V_{CC} = 5.25\text{V}, V_I = 0.4\text{V}$	-	-	-0.4	mA	
	I_I	$V_{CC} = 5.25\text{V}, V_I = 7\text{V}$	-	-	0.1	mA	
Output current	I_{OH}	$V_{CC} = 4.75\text{V}, V_{IH} = 2\text{V}, V_{OH} = 30\text{V}$	-	-	250	μA	
Supply current	I_{CCH}	$V_{CC} = 5.25\text{V}$	-	22	41	mA	
	I_{CCL}	$V_{CC} = 5.25\text{V}$	-	17	30	mA	
Input clamp voltage	V_{IK}	$V_{CC} = 4.75\text{V}, I_{IN} = -18\text{mA}$	-	-	-1.5	V	

* $V_{CC} = 5\text{V}, T_a = 25^\circ\text{C}$

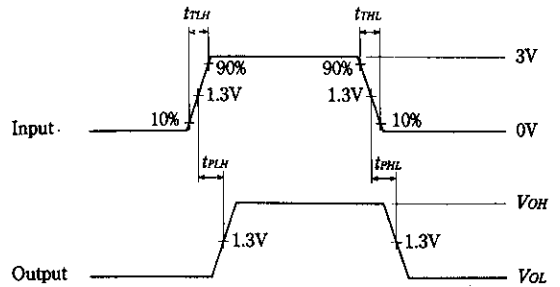
■ SWITCHING CHARACTERISTICS ($V_{CC} = 5\text{V}, T_a = 25^\circ\text{C}$)

Item	Symbol	Test Conditions	min	typ	max	Unit
Propagation delay time	t_{PLH}	$C_L = 15\text{pF}, R_L = 110\Omega$	-	10	15	ns
	t_{PHL}		-	20	30	ns

■ TESTING METHOD



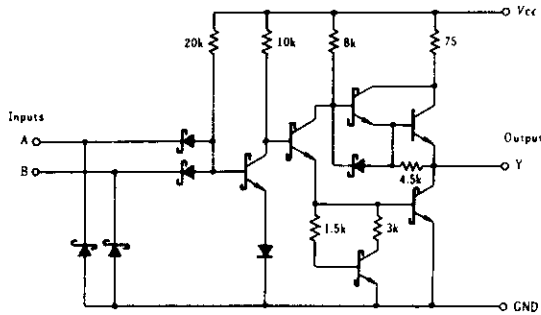
Waveform



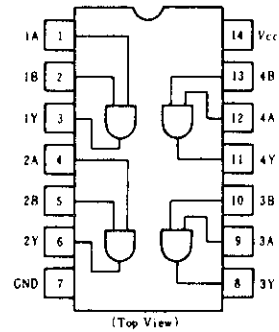
- Notes) 1. Input pulse: PRR = 1MHz, duty cycle 50%, $Z_{out} = 50\Omega, t_{rLH} \leq 15\text{ns}, t_{fHL} \leq 6\text{ns}$
 2. C_L includes probe and jig capacitance.
 3. All diodes are 1S2074(H)

HD74LS08 ● Quadruple 2-input Positive AND Gates

■ CIRCUIT SCHEMATIC (1/4)



■ PIN ARRANGEMENT



■ ELECTRICAL CHARACTERISTICS ($T_a = -20 \sim +75^\circ\text{C}$)

Item	Symbol	Test Conditions	min	typ*	max	Unit	
Input voltage	V_{IH}		2.0	—	—	V	
	V_{IL}		—	—	0.8	V	
Output voltage	V_{OH}	$V_{CC} = 4.75\text{V}, V_{IH} = 2\text{V}, I_{OH} = -400\mu\text{A}$	2.7	—	—	V	
	V_{OL}	$V_{CC} = 4.75\text{V}, V_{IL} = 0.8\text{V}$	$I_{OL} = 8\text{mA}$	—	—	0.5	V
			$I_{OL} = 4\text{mA}$	—	—	0.4	
Input current	I_{IH}	$V_{CC} = 5.25\text{V}, V_i = 2.7\text{V}$	—	—	20	μA	
	I_{IL}	$V_{CC} = 5.25\text{V}, V_i = 0.4\text{V}$	—	—	-0.4	mA	
	I_i	$V_{CC} = 5.25\text{V}, V_i = 7\text{V}$	—	—	0.1	mA	
Short-circuit output current	I_{OS}	$V_{CC} = 5.25\text{V}$	-20	—	-100	mA	
Supply current	I_{CCH}	$V_{CC} = 5.25\text{V}$	—	2.4	4.8	mA	
	I_{CCL}		—	4.4	8.8		
Input clamp voltage	V_{IX}	$V_{CC} = 4.75\text{V}, I_{IN} = -18\text{mA}$	—	—	-1.5	V	

* $V_{CC} = 5\text{V}, T_a = 25^\circ\text{C}$

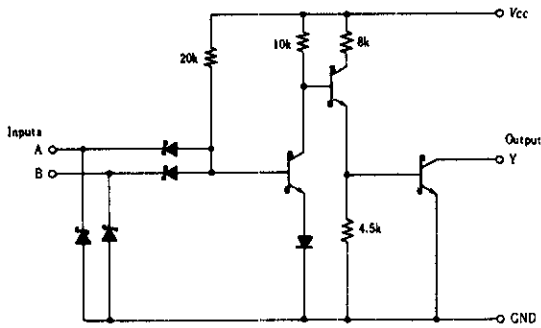
■ SWITCHING CHARACTERISTICS ($V_{CC} = 5\text{V}, T_a = 25^\circ\text{C}$)

Item	Symbol	Test Conditions	min	typ	max	Unit
Propagation delay time	t_{PLH}	$C_L = 15\text{pF}, R_L = 2\text{k}\Omega$	—	8	15	ns
	t_{PHL}		—	10	20	

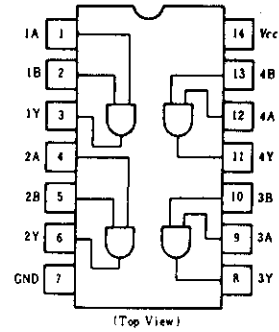
Note) Refer to Test Circuit and Waveform of the Common Item

HD74LS09 ● Quadruple 2-input Positive AND Gates (with Open Collector Outputs)

■ CIRCUIT SCHEMATIC (1/4)



■ PIN ARRANGEMENT



■ RECOMMENDED OPERATING CONDITIONS

Item	Symbol	min	typ	max	Unit
High level output voltage	V_{OH}	—	—	5.5	V
Low level output current	I_{OL}	—	—	8	mA

■ ELECTRICAL CHARACTERISTICS ($T_a = -20 \sim +75^\circ\text{C}$)

Item	Symbol	Test Conditions	min	typ*	max	Unit	
Input voltage	V_{IH}		2.0	—	—	V	
	V_{IL}		—	—	0.8	V	
Output voltage	V_{OL}	$V_{CC}=4.75\text{V}, V_{IL}=0.8\text{V}$	$I_{OL}=8\text{mA}$	—	—	0.5	V
			$I_{OL}=4\text{mA}$	—	—	0.4	
Output current	I_{OH}	$V_{CC}=4.75\text{V}, V_{IH}=2\text{V}, V_{OH}=5.5\text{V}$	—	—	100	μA	
Input current	I_{IH}	$V_{CC}=5.25\text{V}, V_I=2.7\text{V}$	—	—	20	μA	
	I_{IL}	$V_{CC}=5.25\text{V}, V_I=0.4\text{V}$	—	—	-0.4	mA	
	I_I	$V_{CC}=5.25\text{V}, V_I=7\text{V}$	—	—	0.1	mA	
Supply current	I_{CCH}	$V_{CC}=5.25\text{V}$	—	2.4	4.8	mA	
	I_{CCL}	$V_{CC}=5.25\text{V}$	—	4.4	8.8	mA	
Input clamp voltage	V_{IK}	$V_{CC}=4.75\text{V}, I_{IH}=-18\text{mA}$	—	—	-1.5	V	

* $V_{CC}=5\text{V}, T_a=25^\circ\text{C}$

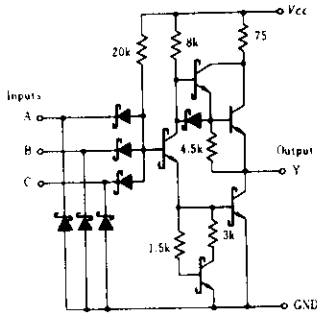
■ SWITCHING CHARACTERISTICS ($V_{CC}=5\text{V}, T_a=25^\circ\text{C}$)

Item	Symbol	Test Conditions	min	typ	max	Unit
Propagation delay time	t_{PLH}	$C_L=15\text{pF}, R_L=2\text{k}\Omega$	—	20	35	ns
	t_{PHL}		—	17	35	ns

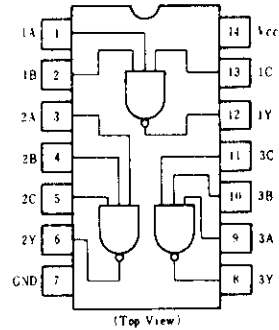
Note) Refer to Test Circuit and Waveform of the Common Item

HD74LS10 • Triple 3-input Positive NAND Gates

■CIRCUIT SCHEMATIC (1/3)



■PIN ARRANGEMENT



■ELECTRICAL CHARACTERISTICS ($T_a = -20 \sim +75^\circ\text{C}$)

Item	Symbol	Test Conditions	min	typ*	max	Unit	
Input voltage	V_{IH}		2.0	—	—	V	
	V_{IL}		—	—	0.8	V	
Output voltage	V_{OH}	$V_{CC} = 4.75\text{V}$, $V_{IL} = 0.8\text{V}$, $I_{OH} = -400\mu\text{A}$	2.7	—	—	V	
	V_{OL}	$V_{CC} = 4.75\text{V}$, $V_{IH} = 2\text{V}$	$I_{OL} = 8\text{mA}$	—	—	0.5	V
			$I_{OL} = 4\text{mA}$	—	—	0.4	
Input current	I_{IH}	$V_{CC} = 5.25\text{V}$, $V_I = 2.7\text{V}$	—	—	20	μA	
	I_{IL}	$V_{CC} = 5.25\text{V}$, $V_I = 0.4\text{V}$	—	—	-0.4	mA	
	I_I	$V_{CC} = 5.25\text{V}$, $V_I = 7\text{V}$	—	—	0.1	mA	
Short-circuit output current	I_{OS}	$V_{CC} = 5.25\text{V}$	-20	—	-100	mA	
Supply current	I_{CCH}	$V_{CC} = 5.25\text{V}$	—	0.6	1.2	mA	
	I_{CCL}		—	1.8	3.3		
Input clamp voltage	V_{IK}	$V_{CC} = 4.75\text{V}$, $I_{IN} = -18\text{mA}$	—	—	-1.5	V	

* $V_{CC} = 5\text{V}$, $T_a = 25^\circ\text{C}$

■SWITCHING CHARACTERISTICS ($V_{CC} = 5\text{V}$, $T_a = 25^\circ\text{C}$)

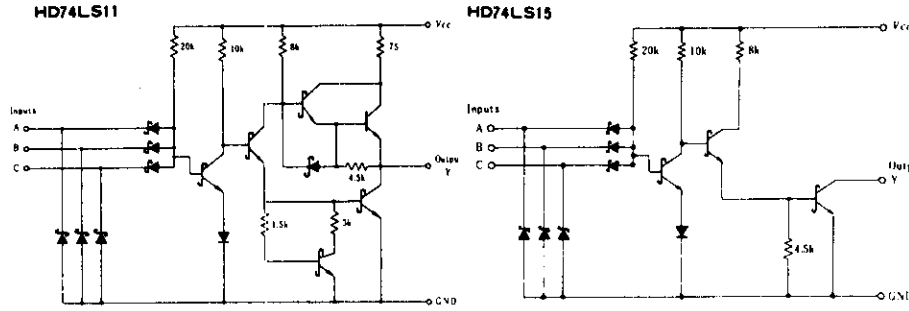
Item	Symbol	Test Conditions	min	typ	max	Unit
Propagation delay time	t_{PLH}	$C_L = 15\text{pF}$, $R_L = 2\text{k}\Omega$	—	9	15	ns
	t_{PHL}		—	10	15	

Note) Refer to Test Circuit and Waveform of the Common Item

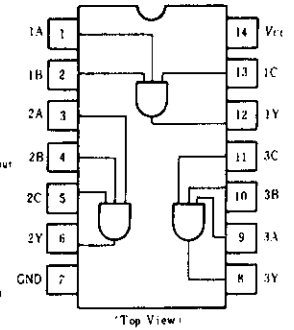
HD74LS11/HD74LS15

●Triple 3-input Positive AND Gates
●Triple 3-input Positive AND Gates
(with Open Collector Outputs)

■CIRCUIT SCHEMATIC(1/3)



■PIN ARRANGEMENT



■HD74LS15 RECOMMENDED OPERATING CONDITIONS

Item	Symbol	min	typ	max	Unit
High level output voltage	V_{OH}	—	—	5.5	V
Low level output current	I_{OL}	—	—	8	mA

■ELECTRICAL CHARACTERISTICS ($T_a = -20 \sim +75^\circ\text{C}$)

Item	Symbol	Test Conditions	HD74LS11			HD74LS15			Unit	
			min	typ*	max	min	typ*	max		
Input voltage	V_{IH}		2.0	—	—	2.0	—	—	V	
	V_{IL}		—	—	0.8	—	—	0.8	V	
Output voltage	V_{OH}	$V_{CC}=4.75\text{V}, V_{IH}=2\text{V}, I_{OH}=-400\mu\text{A}$	2.7	—	—	—	—	—	V	
	V_{OL}	$V_{CC}=4.75\text{V}, V_{IL}=0.8\text{V}$	$I_{OL}=8\text{mA}$	—	—	0.5	—	—	0.5	V
			$I_{OL}=4\text{mA}$	—	—	0.4	—	—	0.4	
Input current	I_{IH}	$V_{CC}=5.25\text{V}, V_I=2.7\text{V}$	—	—	20	—	—	20	μA	
	I_{IL}	$V_{CC}=5.25\text{V}, V_I=0.4\text{V}$	—	—	-0.4	—	—	-0.4	mA	
	I_I	$V_{CC}=5.25\text{V}, V_I=7\text{V}$	—	—	0.1	—	—	0.1	mA	
Output current	I_{OH}	$V_{CC}=4.75\text{V}, V_{OH}=5.5\text{V}$	—	—	—	—	—	100	μA	
Short-circuit output current	I_{OS}	$V_{CC}=5.25\text{V}$	-20	—	-100	—	—	—	mA	
Supply current	I_{CCH}	$V_{CC}=5.25\text{V}$	—	1.8	3.6	—	1.8	3.6	mA	
	I_{CCL}	$V_{CC}=5.25\text{V}$	—	3.3	6.6	—	3.3	6.6	mA	
Input clamp voltage	V_{IK}	$V_{CC}=4.75\text{V}, I_{IN}=-18\text{mA}$	—	—	-1.5	—	—	-1.5	V	

* $V_{CC}=5\text{V}, T_a=25^\circ\text{C}$

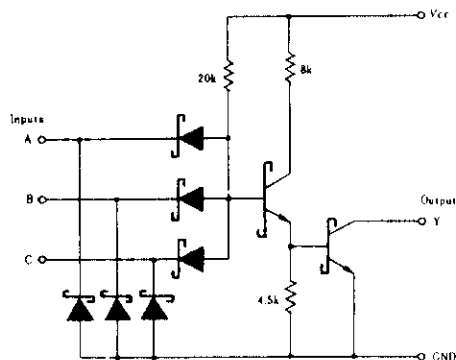
■SWITCHING CHARACTERISTICS ($V_{CC}=5\text{V}, T_a=25^\circ\text{C}$)

Item	Symbol	Test Conditions	HD74LS11			HD74LS15			Unit
			min	typ	max	min	typ	max	
Propagation delay time	t_{PLH}	$C_L=15\text{pF}, R_L=2\text{k}\Omega$	—	8	15	—	20	35	ns
	t_{PHL}		—	10	20	—	17	35	ns

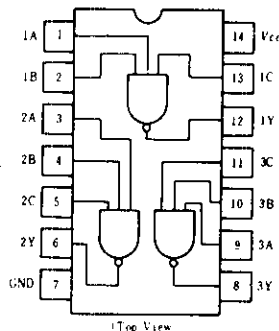
Note) Refer to Test Circuit and Waveform of the Common Item

HD74LS12 ● Triple 3-input Positive NAND Gates (with Open Collector Outputs)

■ CIRCUIT SCHEMATIC (1/3)



■ PIN ARRANGEMENT



■ RECOMMENDED OPERATING CONDITIONS

Item	Symbol	min	typ	max	Unit
High level output voltage	V_{OH}	—	—	5.5	V
Low level output current	I_{OL}	—	—	8	mA

■ ELECTRICAL CHARACTERISTICS ($T_a = -20 \sim +75^\circ\text{C}$)

Item	Symbol	Test Conditions	min	typ*	max	Unit	
Input voltage	V_{IH}		2.0	—	—	V	
	V_{IL}		—	—	0.8	V	
Output voltage	V_{OL}	$V_{CC} = 4.75\text{V}, V_{IH} = 2\text{V}$	$I_{OL} = 8\text{mA}$	—	—	0.5	V
			$I_{OL} = 4\text{mA}$	—	—	0.4	
Output current	I_{OH}	$V_{CC} = 4.75\text{V}, V_{IL} = 0.8\text{V}, V_{OH} = 5.5\text{V}$	—	—	100	μA	
Input current	I_{IH}	$V_{CC} = 5.25\text{V}, V_I = 2.7\text{V}$	—	—	20	μA	
	I_{IL}	$V_{CC} = 5.25\text{V}, V_I = 0.4\text{V}$	—	—	-0.4	mA	
	I_I	$V_{CC} = 5.25\text{V}, V_I = 7\text{V}$	—	—	0.1	mA	
Supply current	I_{CCH}	$V_{CC} = 5.25\text{V}$	—	0.7	1.4	mA	
	I_{CCL}		—	1.8	3.3		
Input clamp voltage	V_{IK}	$V_{CC} = 4.75\text{V}, I_{IS} = -18\text{mA}$	—	—	-1.5	V	

* $V_{CC} = 5\text{V}, T_a = 25^\circ\text{C}$

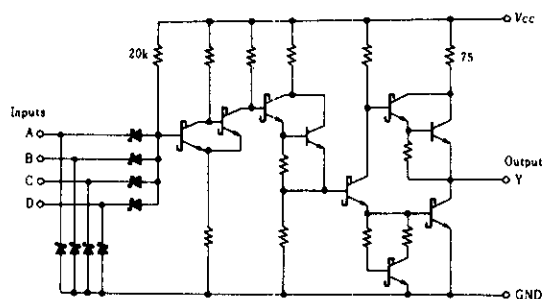
■ SWITCHING CHARACTERISTICS ($V_{CC} = 5\text{V}, T_a = 25^\circ\text{C}$)

Item	Symbol	Test Conditions	min	typ	max	Unit
Propagation delay time	t_{PLH}	$C_L = 15\text{pF}, R_L = 2\text{k}\Omega$	—	17	32	ns
	t_{PHL}		—	15	28	

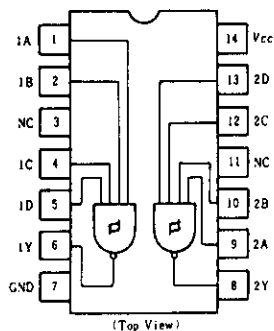
Note) Refer to Test Circuit and Waveform of the Common Item

HD74LS13 ● Dual 4-input Positive NAND Schmitt Triggers

■ CIRCUIT SCHEMATIC (1/2)



■ PIN ARRANGEMENT



■ ELECTRICAL CHARACTERISTICS ($T_a = -20 \sim +75^\circ\text{C}$)

Item	Symbol	Test Conditions	min	typ*	max	Unit	
Input threshold voltage	V_{T^+}	$V_{CC} = 5\text{V}$	1.4	1.6	1.9	V	
	V_{T^-}	$V_{CC} = 5\text{V}$	0.5	0.7	1.0	V	
Hysteresis	$V_{T^+} - V_{T^-}$	$V_{CC} = 5\text{V}$	0.4	0.9	—	V	
Output voltage	V_{OH}	$V_{CC} = 4.75\text{V}, I_{OH} = -400\mu\text{A}, V_I = 0.5\text{V}$	2.7	—	—	V	
	V_{OL}	$V_{CC} = 4.75\text{V}, V_I = 1.9\text{V}$	$I_{OL} = 8\text{mA}$	—	—	0.5	V
			$I_{OL} = 4\text{mA}$	—	—	0.4	
Input threshold current	I_{T^+}	$V_{CC} = 5\text{V}, V_I = V_{T^+}$	—	-0.14	—	mA	
	I_{T^-}	$V_{CC} = 5\text{V}, V_I = V_{T^-}$	—	-0.18	—	mA	
Input current	I_{IH}	$V_{CC} = 5.25\text{V}, V_I = 2.7\text{V}$	—	—	20	μA	
	I_{IL}	$V_{CC} = 5.25\text{V}, V_I = 0.4\text{V}$	—	—	-0.4	mA	
	I_I	$V_{CC} = 5.25\text{V}, V_I = 7\text{V}$	—	—	0.1	mA	
Short-circuit output current	I_{OS}	$V_{CC} = 5.25\text{V}$	-20	—	-100	mA	
Supply current	I_{CCH}	$V_{CC} = 5.25\text{V}$	—	2.9	6	mA	
	I_{CCL}	$V_{CC} = 5.25\text{V}$	—	4.1	7	mA	
Input clamp voltage	V_{IK}	$V_{CC} = 4.75\text{V}, I_{IN} = -18\text{mA}$	—	—	-1.5	V	

* $V_{CC} = 5\text{V}, T_a = 25^\circ\text{C}$

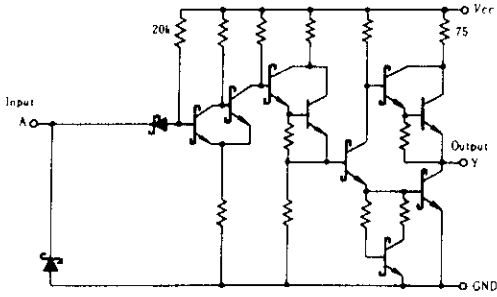
■ SWITCHING CHARACTERISTICS ($V_{CC} = 5\text{V}, T_a = 25^\circ\text{C}$)

Item	Symbol	Test Conditions	min	typ	max	Unit
Propagation delay time	t_{PLH}	$C_L = 15\text{pF}, R_L = 2\text{k}\Omega$	—	15	22	ns
	t_{PHL}		—	18	27	ns

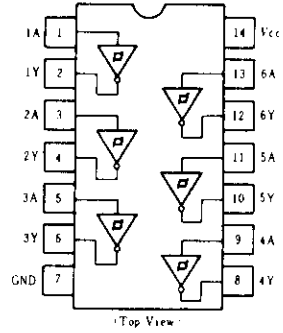
Note) Refer to Test Circuit and Waveform of the Common Item

HD74LS14 ● Hex Schmitt Trigger Inverters

■ CIRCUIT SCHEMATIC (1/6)



■ PIN ARRANGEMENT



■ ELECTRICAL CHARACTERISTICS (Ta = -20 ~ +75°C)

Item	Symbol	Test Conditions	min	typ*	max	Unit	
Input threshold voltage	V_{T^+}	$V_{CC} = 5V$	1.4	1.6	1.9	V	
	V_{T^-}	$V_{CC} = 5V$	0.5	0.7	1.0	V	
Hysteresis	$V_{T^+} - V_{T^-}$	$V_{CC} = 5V$	0.4	0.9	—	V	
Output voltage	V_{OH}	$V_{CC} = 4.75V, V_I = 0.5V, I_{OH} = -400\mu A$	2.7	—	—	V	
	V_{OL}	$V_{CC} = 4.75V, V_I = 1.9V$	$I_{OL} = 8mA$	—	—	0.50	V
			$I_{OL} = 4mA$	—	—	0.40	
Input threshold current	I_{T^+}	$V_{CC} = 5V, V_I = V_{T^+}$	—	-0.14	—	mA	
	I_{T^-}	$V_{CC} = 5V, V_I = V_{T^-}$	—	-0.18	—	mA	
Input current	I_{IH}	$V_{CC} = 5.25V, V_I = 2.7V$	—	—	20	μA	
	I_{IL}	$V_{CC} = 5.25V, V_I = 0.4V$	—	—	-0.4	mA	
	I_I	$V_{CC} = 5.25V, V_I = 7V$	—	—	0.1	mA	
Short-circuit output current	I_{OS}	$V_{CC} = 5.25V$	-20	—	-100	mA	
Supply current	I_{CCH}	$V_{CC} = 5.25V$	—	8.6	16	mA	
	I_{CCl}	$V_{CC} = 5.25V$	—	12	21	mA	
Input clamp voltage	V_{IK}	$V_{CC} = 4.75V, I_{IN} = -18mA$	—	—	-1.5	V	

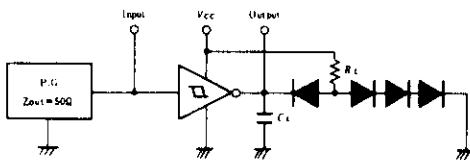
* $V_{CC} = 5V, T_a = 25^\circ C$

■ SWITCHING CHARACTERISTICS ($V_{CC} = 5V, T_a = 25^\circ C$)

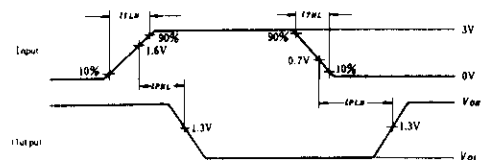
Item	Symbol	Test Conditions	min	typ	max	Unit
Propagation delay time	t_{PLH}	$C_L = 15pF, R_L = 2k\Omega$	—	15	22	ns
	t_{PHL}		—	15	22	ns

■ TESTING METHOD

1. Test Circuit



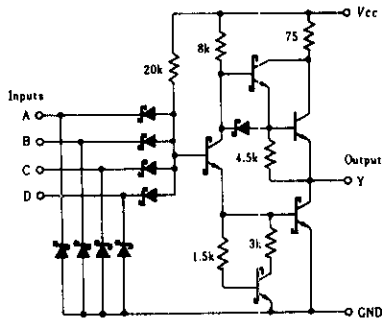
Waveform



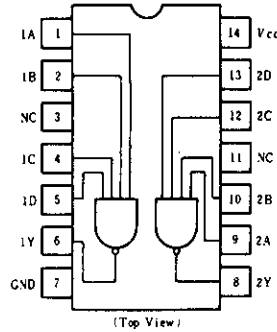
- Notes) 1. Input pulse; $t_{TLH} \leq 15ns, t_{THL} \leq 6ns, PRR = 1MHz, \text{duty cycle} = 50\%$
 2. C_L includes probe and jig capacitance.
 3. All diodes are 1S2074 $\text{\textcircled{G}}$.

HD74LS20 • Dual 4-input Positive NAND Gates

■ CIRCUIT SCHEMATIC (1/2)



■ PIN ARRANGEMENT



■ ELECTRICAL CHARACTERISTICS ($T_a = -20 \sim +75^\circ\text{C}$)

Item	Symbol	Test Conditions	min	typ*	max	Unit	
Input voltage	V_{IH}		2.0	—	—	V	
	V_{IL}		—	—	0.8	V	
Output voltage	V_{OH}	$V_{CC} = 4.75\text{V}$, $V_{IL} = 0.8\text{V}$, $I_{OH} = -400\mu\text{A}$	2.7	—	—	V	
	V_{OL}	$V_{CC} = 4.75\text{V}$, $V_{IH} = 2\text{V}$	$I_{OL} = 8\text{mA}$	—	—	0.5	V
			$I_{OL} = 4\text{mA}$	—	—	0.4	
Input current	I_{IH}	$V_{CC} = 5.25\text{V}$, $V_I = 2.7\text{V}$	—	—	20	μA	
	I_{IL}	$V_{CC} = 5.25\text{V}$, $V_I = 0.4\text{V}$	—	—	-0.4	mA	
	I_i	$V_{CC} = 5.25\text{V}$, $V_I = 7\text{V}$	—	—	0.1	mA	
Short-circuit output current	I_{OS}	$V_{CC} = 5.25\text{V}$	-20	—	-100	mA	
Supply current	I_{CCH}	$V_{CC} = 5.25\text{V}$	—	0.4	0.8	mA	
	I_{CCL}	$V_{CC} = 5.25\text{V}$	—	1.2	2.2	mA	
Input clamp voltage	V_{IK}	$V_{CC} = 4.75\text{V}$, $I_{IN} = -18\text{mA}$	—	—	-1.5	V	

* $V_{CC} = 5\text{V}$, $T_a = 25^\circ\text{C}$

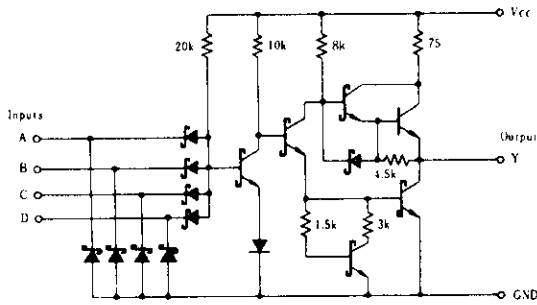
■ SWITCHING CHARACTERISTICS ($V_{CC} = 5\text{V}$, $T_a = 25^\circ\text{C}$)

Item	Symbol	Test Conditions	min	typ	max	Unit
Propagation delay time	t_{PLH}	$C_L = 15\text{pF}$, $R_L = 2\text{k}\Omega$	—	9	15	ns
	t_{PHL}		—	10	15	ns

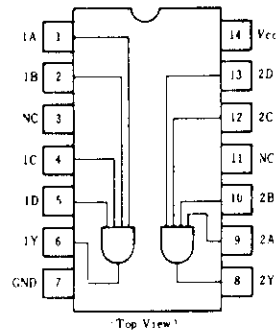
Note) Refer to Test Circuit and Waveform of the Common Item

HD74LS21 ● Dual 4-input Positive AND Gates

■CIRCUIT SCHEMATIC(1/2)



■PIN ARRANGEMENT



■ELECTRICAL CHARACTERISTICS ($T_a = -20 \sim +75^\circ\text{C}$)

Item	Symbol	Test Conditions	min	typ*	max	Unit	
Input voltage	V_{IH}		2.0	—	—	V	
	V_{IL}		—	—	0.8	V	
Output voltage	V_{OH}	$V_{CC} = 4.75\text{V}, V_I = 2\text{V}, I_{OH} = -400\mu\text{A}$	2.7	—	—	V	
	V_{OL}	$V_{CC} = 4.75\text{V}, V_{IL} = 0.8\text{V}$	$I_{OL} = 8\text{mA}$	—	—	0.5	V
			$I_{OL} = 4\text{mA}$	—	—	0.4	
Input current	I_{IH}	$V_{CC} = 5.25\text{V}, V_I = 2.7\text{V}$	—	—	20	μA	
	I_{IL}	$V_{CC} = 5.25\text{V}, V_I = 0.4\text{V}$	—	—	-0.4	mA	
	I_I	$V_{CC} = 5.25\text{V}, V_I = 7\text{V}$	—	—	0.1	mA	
Short-circuit output current	I_{OS}	$V_{CC} = 5.25\text{V}$	-20	—	-100	mA	
Supply current	I_{CCH}	$V_{CC} = 5.25\text{V}$	—	1.2	2.4	mA	
	I_{CCL}		—	2.2	4.4		
Input clamp voltage	V_{IK}	$V_{CC} = 4.75\text{V}, I_{IN} = -18\text{mA}$	—	—	-1.5	V	

* $V_{CC} = 5\text{V}, T_a = 25^\circ\text{C}$

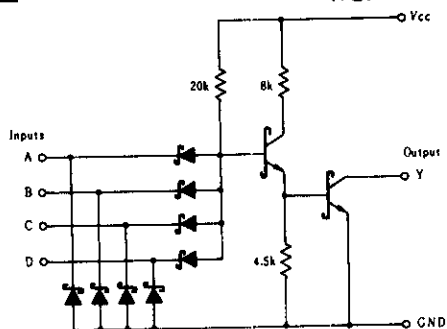
■SWITCHING CHARACTERISTICS ($V_{CC} = 5\text{V}, T_a = 25^\circ\text{C}$)

Item	Symbol	Test Conditions	min	typ	max	Unit
Propagation delay time	t_{PLH}	$C_L = 15\text{pF}, R_L = 2\text{k}\Omega$	—	8	15	ns
	t_{PHL}		—	10	20	

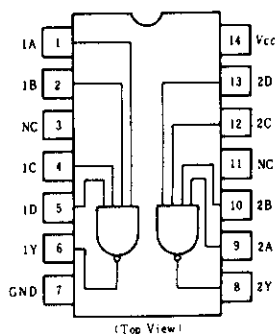
Note) Refer to Test Circuit and Waveform of the Common Item

HD74LS22 ● Dual 4-input Positive NAND Gates (with Open Collector Outputs)

■CIRCUIT SCHEMATIC(1/2)



■PIN ARRANGEMENT



■RECOMMENDED OPERATING CONDITIONS

Item	Symbol	min	typ	max	Unit
High level output voltage	V_{OH}	—	—	5.5	V
Low level output current	I_{OL}	—	—	8	mA

■ELECTRICAL CHARACTERISTICS ($T_a = -20 \sim +75^\circ\text{C}$)

Item	Symbol	Test Conditions	min	typ*	max	Unit	
Input voltage	V_{IH}		2.0	—	—	V	
	V_{IL}		—	—	0.8	V	
Output voltage	V_{OL}	$V_{CC} = 4.75\text{V}, V_I = 2\text{V}$	$I_{OL} = 8\text{mA}$	—	—	0.5	V
			$I_{OL} = 4\text{mA}$	—	—	0.4	
Input current	I_{IH}	$V_{CC} = 5.25\text{V}, V_I = 2.7\text{V}$	—	—	20	μA	
	I_{IL}	$V_{CC} = 5.25\text{V}, V_I = 0.4\text{V}$	—	—	-0.4	mA	
	I_I	$V_{CC} = 5.25\text{V}, V_I = 7\text{V}$	—	—	0.1	mA	
Output current	I_{OH}	$V_{CC} = 4.75\text{V}, V_{IL} = 0.8\text{V}, V_{OH} = 5.5\text{V}$	—	—	100	μA	
Supply current	I_{CCH}	$V_{CC} = 5.25\text{V}$	—	0.4	0.8	mA	
	I_{CCL}	$V_{CC} = 5.25\text{V}$	—	1.2	2.2	mA	
Input clamp voltage	V_{IK}	$V_{CC} = 4.75\text{V}, I_{IN} = -18\text{mA}$	—	—	-1.5	V	

* $V_{CC} = 5\text{V}, T_a = 25^\circ\text{C}$

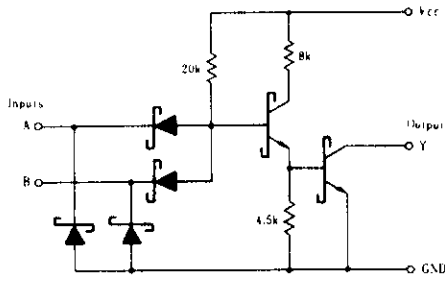
■SWITCHING CHARACTERISTICS ($V_{CC} = 5\text{V}, T_a = 25^\circ\text{C}$)

Item	Symbol	Test Conditions	min	typ	max	Unit
Propagation delay time	t_{PLH}	$C_L = 15\text{pF}, R_L = 2\text{k}\Omega$	—	17	32	ns
	t_{PHL}		—	15	28	ns

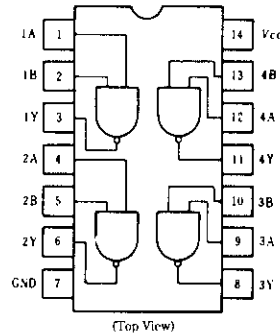
Note) Refer to Test Circuit and Waveform of the Common Item

HD74LS26 • Quadruple 2-input High-voltage Interface Positive NAND Gates

■ CIRCUIT SCHEMATIC (1/4)



■ PIN ARRANGEMENT



■ RECOMMENDED OPERATING CONDITIONS

Item	Symbol	min	typ	max	Unit
High level output voltage	V_{OH}	—	—	15	V
Low level output current	I_{OL}	—	—	8	mA

■ ELECTRICAL CHARACTERISTICS ($T_a = -20 \sim +75^\circ\text{C}$)

Item	Symbol	Test Conditions	min	typ*	max	Unit	
Input voltage	V_{IH}		2.0	—	—	V	
	V_{IL}		—	—	0.8	V	
Output voltage	V_{OL}	$V_{CC} = 4.75\text{V}$, $V_I = 2\text{V}$	$I_{OL} = 4\text{mA}$	—	—	0.4	V
			$I_{OL} = 8\text{mA}$	—	—	0.5	
Input current	I_{IH}	$V_{CC} = 5.25\text{V}$, $V_I = 2.7\text{V}$	—	—	20	μA	
	I_{IL}	$V_{CC} = 5.25\text{V}$, $V_I = 0.4\text{V}$	—	—	0.4	mA	
	I_I	$V_{CC} = 5.25\text{V}$, $V_I = 7\text{V}$	—	—	0.1	mA	
Output current	I_{OH}	$V_{CC} = 4.75\text{V}$, $V_{IL} = 0.8\text{V}$	$V_{OH} = 12\text{V}$	—	—	50	μA
			$V_{OH} = 15\text{V}$	—	—	1	mA
Supply current	I_{CCH}	$V_{CC} = 5.25\text{V}$	—	0.8	1.6	mA	
	I_{CCL}		—	2.4	4.4		
Input clamp voltage	V_{IK}	$V_{CC} = 4.75\text{V}$, $I_{IS} = -18\text{mA}$	—	—	-1.5	V	

* $V_{CC} = 5\text{V}$, $T_a = 25^\circ\text{C}$

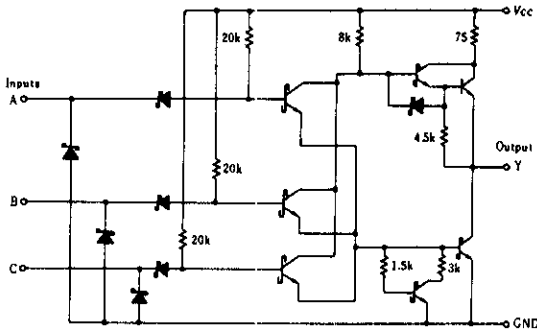
■ SWITCHING CHARACTERISTICS ($V_{CC} = 5\text{V}$, $T_a = 25^\circ\text{C}$)

Item	Symbol	Test Conditions	min	typ	max	Unit
Propagation delay time	t_{PLH}	$C_L = 15\text{pF}$, $R_L = 2\text{k}\Omega$	—	17	32	ns
	t_{PHL}		—	15	28	

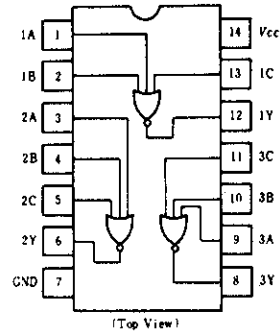
Note) Refer to Test Circuit and Waveform of the Common Item

HD74LS27 ● Triple 3-input Positive NOR Gates

■ CIRCUIT SCHEMATIC (1/3)



■ PIN ARRANGEMENT



■ ELECTRICAL CHARACTERISTICS ($T_a = -20 \sim +75^\circ\text{C}$)

Item	Symbol	Test Conditions	min	typ*	max	Unit	
Input voltage	V_{IH}		2.0	—	—	V	
	V_{IL}		—	—	0.8		
Output voltage	V_{OH}	$V_{CC}=4.75\text{V}$, $V_{IL}=0.8\text{V}$, $I_{OH}=-400\mu\text{A}$	2.7	—	—	V	
	V_{OL}	$V_{CC}=4.75\text{V}$, $V_{IH}=2\text{V}$	$I_{OL}=4\text{mA}$	—	—		0.4
			$I_{OL}=8\text{mA}$	—	—		0.5
Input current	I_{IH}	$V_{CC}=5.25\text{V}$, $V_I=2.7\text{V}$	—	—	20	μA	
	I_{IL}	$V_{CC}=5.25\text{V}$, $V_I=0.4\text{V}$	—	—	-0.4	mA	
	I_I	$V_{CC}=5.25\text{V}$, $V_I=7\text{V}$	—	—	0.1	mA	
Short-circuit output current	I_{OS}	$V_{CC}=5.25\text{V}$	-20	—	-100	mA	
Supply current	I_{CCH}	$V_{CC}=5.25\text{V}$	—	2.0	4.0	mA	
	I_{CCL}	$V_{CC}=5.25\text{V}$	—	3.4	6.8	mA	
Input clamp voltage	V_{IK}	$V_{CC}=4.75\text{V}$, $I_{IN}=-18\text{mA}$	—	—	-1.5	V	

* $V_{CC}=5\text{V}$, $T_a=25^\circ\text{C}$

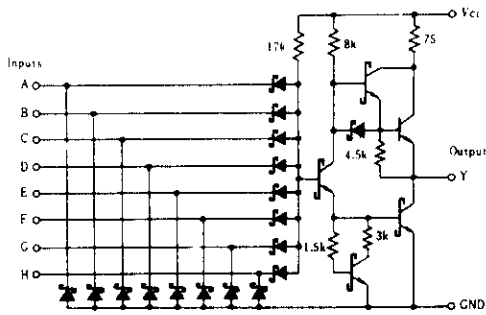
■ SWITCHING CHARACTERISTICS ($V_{CC}=5\text{V}$, $T_a=25^\circ\text{C}$)

Item	Symbol	Test Conditions	min	typ	max	Unit
Propagation delay time	t_{PLH}	$C_L=15\text{pF}$, $R_L=2\text{k}\Omega$	—	10	15	ns
	t_{PHL}		—	10	15	

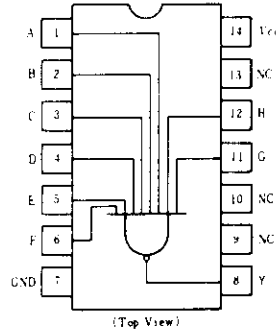
Note) Refer to Test Circuit and Waveform of the Common Item

HD74LS30 ● 8-input Positive NAND Gate

■ CIRCUIT SCHEMATIC



■ PIN ARRANGEMENT



■ ELECTRICAL CHARACTERISTICS ($T_a = -20 \sim +75^\circ\text{C}$)

Item	Symbol	Test Conditions	min	typ*	max	Unit	
Input voltage	V_{IH}		2.0	—	—	V	
	V_{IL}		—	—	0.8	V	
Output voltage	V_{OH}	$V_{CC} = 4.75\text{V}, V_{IL} = 0.8\text{V}, I_{OH} = -400\mu\text{A}$	2.7	—	—	V	
	V_{OL}	$V_{CC} = 4.75\text{V}, V_{IH} = 2\text{V}$	$I_{OL} = 8\text{mA}$	—	—	0.5	V
			$I_{OL} = 4\text{mA}$	—	—	0.4	
Input current	I_{IH}	$V_{CC} = 5.25\text{V}, V_I = 2.7\text{V}$	—	—	20	μA	
	I_{IL}	$V_{CC} = 5.25\text{V}, V_I = 0.4\text{V}$	—	—	-0.4	mA	
	I_I	$V_{CC} = 5.25\text{V}, V_I = 7\text{V}$	—	—	0.1	mA	
Short-circuit output current	I_{OS}	$V_{CC} = 5.25\text{V}$	-20	—	-100	mA	
Supply current	I_{CCH}	$V_{CC} = 5.25\text{V}$	—	0.35	0.5	mA	
	I_{CCL}		—	0.6	1.1		
Input clamp voltage	V_{IK}	$V_{CC} = 4.75\text{V}, I_{IN} = -18\text{mA}$	—	—	-1.5	V	

* $V_{CC} = 5\text{V}, T_a = 25^\circ\text{C}$

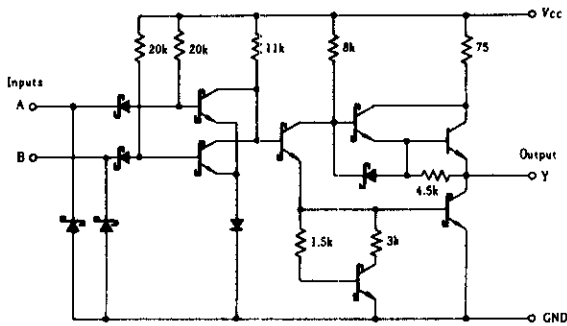
■ SWITCHING CHARACTERISTICS ($V_{CC} = 5\text{V}, T_a = 25^\circ\text{C}$)

Item	Symbol	Test Conditions	min	typ	max	Unit
Propagation delay time	t_{PLH}	$C_L = 15\text{pF}, R_L = 2\text{k}\Omega$	—	8	15	ns
	t_{PHL}		—	13	20	

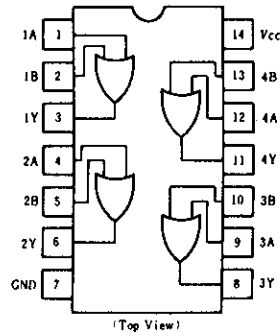
Note) Refer to Test Circuit and Waveform of the Common Item

HD74LS32 ● Quadruple 2-input Positive OR Gates

■ CIRCUIT SCHEMATIC (1/4)



■ PIN ARRANGEMENT



■ ELECTRICAL CHARACTERISTICS ($T_a = -20 \sim +75^\circ\text{C}$)

Item	Symbol	Test Conditions	min	typ*	max	Unit	
Input voltage	V_{IH}		2.0	—	—	V	
	V_{IL}		—	—	0.8	V	
Output voltage	V_{OH}	$V_{CC} = 4.75\text{V}, V_{IH} = 2\text{V}, I_{OH} = -400\mu\text{A}$	2.7	—	—	V	
	V_{OL}	$V_{CC} = 4.75\text{V}, V_{IL} = 0.8\text{V}$	$I_{OL} = 8\text{mA}$	—	—	0.5	V
			$I_{OL} = 4\text{mA}$	—	—	0.4	
Input current	I_{IH}	$V_{CC} = 5.25\text{V}, V_I = 2.7\text{V}$	—	—	20	μA	
	I_{IL}	$V_{CC} = 5.25\text{V}, V_I = 0.4\text{V}$	—	—	-0.4	mA	
	I_I	$V_{CC} = 5.25\text{V}, V_I = 7\text{V}$	—	—	0.1	mA	
Short-circuit output current	I_{OS}	$V_{CC} = 5.25\text{V}$	-20	—	-100	mA	
Supply current	I_{CCN}	$V_{CC} = 5.25\text{V}$	—	3.1	6.2	mA	
	I_{CCL}	$V_{CC} = 5.25\text{V}$	—	4.9	9.8	mA	
Input clamp voltage	V_{IK}	$V_{CC} = 4.75\text{V}, I_{IN} = -18\text{mA}$	—	—	-1.5	V	

* $V_{CC} = 5\text{V}, T_a = 25^\circ\text{C}$

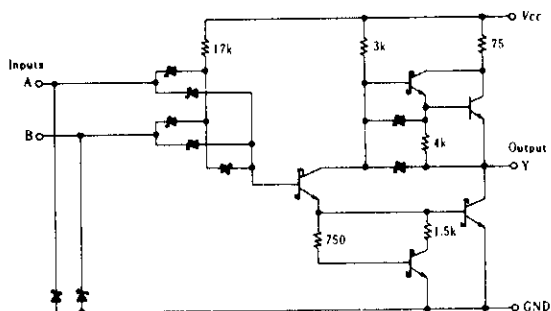
■ SWITCHING CHARACTERISTICS ($V_{CC} = 5\text{V}, T_a = 25^\circ\text{C}$)

Item	Symbol	Test Conditions	min	typ	max	Unit
Propagation delay time	t_{PLH}	$C_L = 15\text{pF}, R_L = 2\text{k}\Omega$	—	14	22	ns
	t_{PHL}		—	14	22	ns

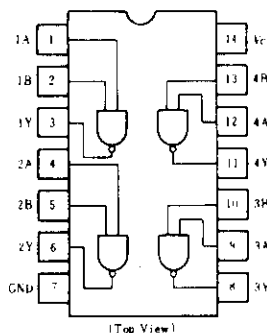
Note) Refer to Test Circuit and Waveform of the Common Item

HD74LS37 ● Quadruple 2-input Positive NAND Buffers

■CIRCUIT SCHEMATIC(1/4)



■PIN ARRANGEMENT



■RECOMMENDED OPERATING CONDITIONS

Item	Symbol	min	typ	max	Unit
High level output current	I_{OH}	—	—	-1.2	mA
Low level output current	I_{OL}	—	—	24	mA

■ELECTRICAL CHARACTERISTICS ($T_a = -20 \sim +75^\circ\text{C}$)

Item	Symbol	Test Conditions	min	typ*	max	Unit	
Input voltage	V_{IH}		2.0	—	—	V	
	V_{IL}		—	—	0.8	V	
Output voltage	V_{OH}	$V_{CC}=4.75\text{V}$, $V_{IL}=0.8\text{V}$, $I_{OH}=-1.2\text{mA}$	2.7	—	—	V	
	V_{OL}	$V_{CC}=4.75\text{V}$, $V_{IH}=2\text{V}$	$I_{OL}=24\text{mA}$	—	—	0.5	V
			$I_{OL}=12\text{mA}$	—	—	0.4	
Input current	I_{IH}	$V_{CC}=5.25\text{V}$, $V_I=2.7\text{V}$	—	—	20	μA	
	I_{IL}	$V_{CC}=5.25\text{V}$, $V_I=0.4\text{V}$	—	—	-0.4	mA	
	I_I	$V_{CC}=5.25\text{V}$, $V_I=7\text{V}$	—	—	0.1	mA	
Short-circuit output current	I_{OS}	$V_{CC}=5.25\text{V}$	-30	—	-130	mA	
Supply current	I_{CCH}	$V_{CC}=5.25\text{V}$	—	0.9	2.0	mA	
	I_{CCL}	$V_{CC}=5.25\text{V}$	—	6	12	mA	
Input clamp voltage	V_{IK}	$V_{CC}=4.75\text{V}$, $I_{IS}=-18\text{mA}$	—	—	-1.5	V	

* $V_{CC}=5\text{V}$, $T_a=25^\circ\text{C}$

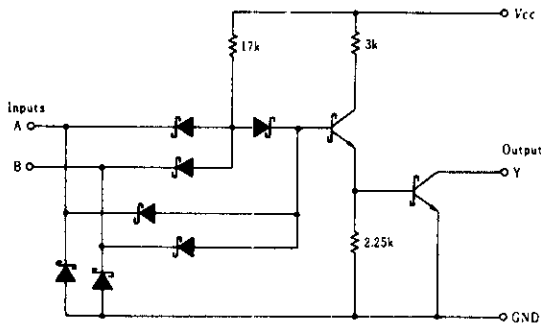
■SWITCHING CHARACTERISTICS ($V_{CC}=5\text{V}$, $T_a=25^\circ\text{C}$)

Item	Symbol	Test Conditions	min	typ	max	Unit
Propagation delay time	t_{PLH}	$C_L=45\text{pF}$, $R_L=667\Omega$	—	12	24	ns
	t_{PHL}		—	12	24	ns

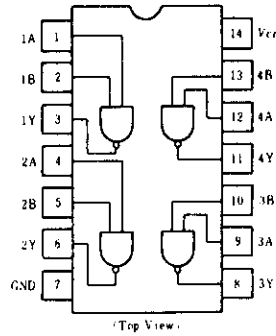
Note) Refer to Test Circuit and Waveform of the Common Item

HD74LS38 ● Quadruple 2-input Positive NAND Buffers (with Open Collector Outputs)

■ CIRCUIT SCHEMATIC (1/4)



■ PIN ARRANGEMENT



■ RECOMMENDED OPERATING CONDITIONS

Item	Symbol	min	typ	max	Unit
High level output voltage	V_{OL}	—	—	5.5	V
Low level output current	I_{OL}	—	—	24	mA

■ ELECTRICAL CHARACTERISTICS ($T_a = -20 \sim +75^\circ\text{C}$)

Item	Symbol	Test Conditions	min	typ*	max	Unit	
Input voltage	V_{IH}		2.0	—	—	V	
	V_{IL}		—	—	0.8	V	
Output voltage	V_{OL}	$V_{CC} = 4.75\text{V}, V_I = 2\text{V}$	$I_{OL} = 24\text{mA}$	—	—	0.5	V
			$I_{OL} = 12\text{mA}$	—	—	0.4	
Output current	I_{OH}	$V_{CC} = 4.75\text{V}, V_I = 0.8\text{V}, V_{OH} = 5.5\text{V}$	—	—	250	μA	
Input current	I_{IH}	$V_{CC} = 5.25\text{V}, V_I = 2.7\text{V}$	—	—	20	μA	
	I_{IL}	$V_{CC} = 5.25\text{V}, V_I = 0.4\text{V}$	—	—	-0.4	mA	
	I_I	$V_{CC} = 5.25\text{V}, V_I = 7\text{V}$	—	—	0.1	mA	
Supply current	I_{CCH}	$V_{CC} = 5.25\text{V}$	—	0.9	2.0	mA	
	I_{CCL}	$V_{CC} = 5.25\text{V}$	—	6	12	mA	
Input clamp voltage	V_{IK}	$V_{CC} = 4.75\text{V}, I_{IN} = -18\text{mA}$	—	—	-1.5	V	

* $V_{CC} = 5\text{V}, T_a = 25^\circ\text{C}$

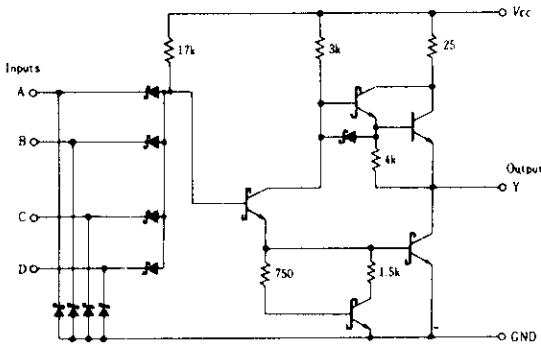
■ SWITCHING CHARACTERISTICS ($V_{CC} = 5\text{V}, T_a = 25^\circ\text{C}$)

Item	Symbol	Test Conditions	min	typ	max	Unit
Propagation delay time	t_{PLH}	$C_L = 45\text{pF}, R_L = 667\ \Omega$	—	20	32	ns
	t_{PHL}		—	18	28	ns

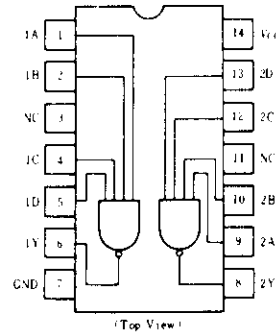
Note) Refer to Test Circuit and Waveform of the Common Item

HD74LS40 ● Dual 4-input Positive NAND Buffers

■CIRCUIT SCHEMATIC(1/2)



■PIN ARRANGEMENT



■RECOMMENDED OPERATING CONDITIONS

Item	Symbol	min	typ	max	Unit
High level output current	I_{OH}	—	—	-1.2	mA
Low level output current	I_{OL}	—	—	24	mA

■ELECTRICAL CHARACTERISTICS ($T_a = -20 \sim +75^\circ\text{C}$)

Item	Symbol	Test Conditions	min	typ*	max	Unit	
Input voltage	V_{IH}		2.0	—	—	V	
	V_{IL}		—	—	0.8	V	
Output voltage	V_{OH}	$V_{CC}=4.75\text{V}, V_{IL}=0.8\text{V}, I_{OH}=-1.2\text{mA}$	2.7	—	—	V	
	V_{OL}	$V_{CC}=4.75\text{V}, V_{IH}=2\text{V}$	$I_{OL}=24\text{mA}$	—	—	0.5	V
			$I_{OL}=12\text{mA}$	—	—	0.4	
Input current	I_{IH}	$V_{CC}=5.25\text{V}, V_i=2.7\text{V}$	—	—	20	μA	
	I_{IL}	$V_{CC}=5.25\text{V}, V_i=0.4\text{V}$	—	—	-0.4	mA	
	I_i	$V_{CC}=5.25\text{V}, V_i=7\text{V}$	—	—	0.1	mA	
Short-circuit output current	I_{OS}	$V_{CC}=5.25\text{V}$	-30	—	-130	mA	
Supply current	I_{CCH}	$V_{CC}=5.25\text{V}$	—	0.45	1.0	mA	
	I_{CCL}	$V_{CC}=5.25\text{V}$	—	3	6	mA	
Input clamp voltage	V_{IK}	$V_{CC}=4.75\text{V}, I_{IH}=-18\text{mA}$	—	—	-1.5	V	

* $V_{CC}=5\text{V}, T_a=25^\circ\text{C}$

■SWITCHING CHARACTERISTICS ($V_{CC}=5\text{V}, T_a=25^\circ\text{C}$)

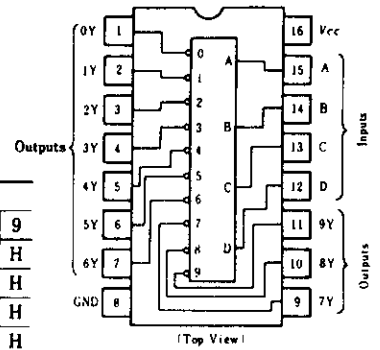
Item	Symbol	Test Conditions	min	typ	max	Unit
Propagation delay time	t_{PLH}	$C_L=45\text{pF}, R_L=667\Omega$	—	12	24	ns
	t_{PHL}		—	12	24	ns

Note) Refer to Test Circuit and Waveform of the Common Item

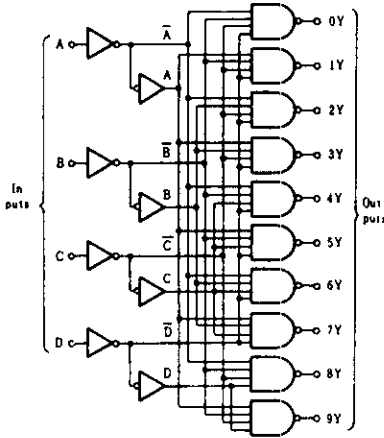
HD74LS42 • BCD-to-Decimal Decoder

This monolithic decimal decoder consists of eight inverters and ten four-input NAND gates. The inverters are connected in pairs to make BCD input data available for decoding by NAND gates. Full decoding of valid input logic ensures that all outputs remain off for all invalid input conditions.

■ PIN ARRANGEMENT



■ BLOCK DIAGRAM



■ FUNCTION TABLE

No.	BCD Input				Decimal Output										
	D	C	B	A	0	1	2	3	4	5	6	7	8	9	
0	L	L	L	L	L	H	H	H	H	H	H	H	H	H	H
1	L	L	L	H	H	L	H	H	H	H	H	H	H	H	H
2	L	L	H	L	H	H	L	H	H	H	H	H	H	H	H
3	L	L	H	H	H	H	H	L	H	H	H	H	H	H	H
4	L	H	L	L	H	H	H	H	L	H	H	H	H	H	H
5	L	H	L	H	H	H	H	H	H	L	H	H	H	H	H
6	L	H	H	L	H	H	H	H	H	H	L	H	H	H	H
7	L	H	H	H	H	H	H	H	H	H	H	L	H	H	H
8	H	L	L	L	H	H	H	H	H	H	H	H	L	H	H
9	H	L	L	H	H	H	H	H	H	H	H	H	H	L	L
INVALID	H	L	H	L	H	H	H	H	H	H	H	H	H	H	H
	H	L	H	H	H	H	H	H	H	H	H	H	H	H	H
	H	H	L	L	H	H	H	H	H	H	H	H	H	H	H
	H	H	L	H	H	H	H	H	H	H	H	H	H	H	H
	H	H	H	L	H	H	H	H	H	H	H	H	H	H	H
	H	H	H	H	L	H	H	H	H	H	H	H	H	H	H

H; high level, L; low level

■ ELECTRICAL CHARACTERISTICS ($T_a = -20 \sim +75^\circ\text{C}$)

Item	Symbol	Test Conditions	min	typ*	max	Unit	
Input voltage	V_{IH}		2.0	—	—	V	
	V_{IL}		—	—	0.8	V	
Output voltage	V_{OH}	$V_{CC} = 4.75\text{V}$, $V_{IH} = 2\text{V}$, $V_{IL} = 0.8\text{V}$, $I_{OH} = -400\mu\text{A}$	2.7	—	—	V	
	V_{OL}	$V_{CC} = 4.75\text{V}$, $V_{IH} = 2\text{V}$, $V_{IL} = 0.8\text{V}$	$I_{OL} = 8\text{mA}$	—	—	0.5	V
			$I_{OL} = 4\text{mA}$	—	—	0.4	
Input current	I_{IH}	$V_{CC} = 5.25\text{V}$, $V_I = 2.7\text{V}$	—	—	20	μA	
	I_{IL}	$V_{CC} = 5.25\text{V}$, $V_I = 0.4\text{V}$	—	—	-0.4	mA	
	I_I	$V_{CC} = 5.25\text{V}$, $V_I = 7\text{V}$	—	—	0.1	mA	
Short-circuit output current	I_{OS}	$V_{CC} = 5.25\text{V}$	-20	—	-100	mA	
Supply current	I_{CC}^{**}	$V_{CC} = 5.25\text{V}$	—	7	13	mA	
Input clamp voltage	V_{IK}	$V_{CC} = 4.75\text{V}$, $I_{IN} = -18\text{mA}$	—	—	-1.5	V	

* $V_{CC} = 5\text{V}$, $T_a = 25^\circ\text{C}$

** I_{CC} is measured with all outputs open and all inputs grounded.

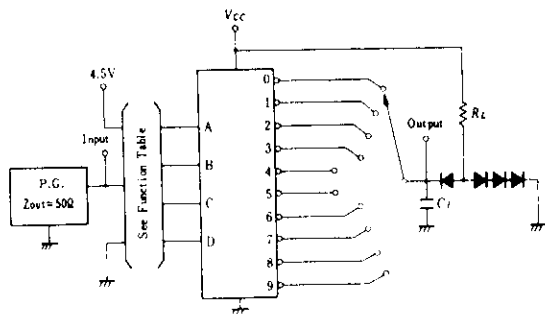
HD74LS42

SWITCHING CHARACTERISTICS ($V_{CC}=5V$, $T_a=25^\circ C$)

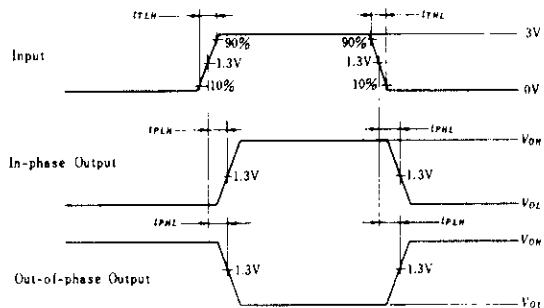
Item	Symbol	Test Conditions	min	typ	max	Unit	
Propagation delay time	2 Stage	$C_L = 15pF$, $R_L = 2k\Omega$	—	15	25	ns	
	3 Stage		—	20	30		
	2 Stage		t_{PLH}	—	15	25	ns
	3 Stage			—	20	30	

TESTING METHOD

1) Test Circuit



Waveform

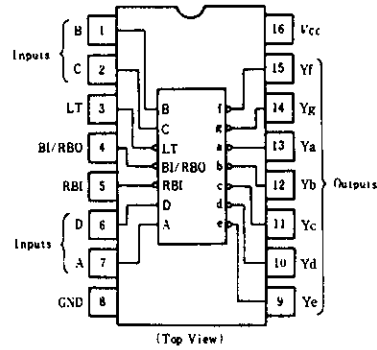


Input pulse: $t_{TLH} \leq 15ns$, $t_{THL} \leq 6ns$, $PRR=1MHz$,
duty cycle 50%.

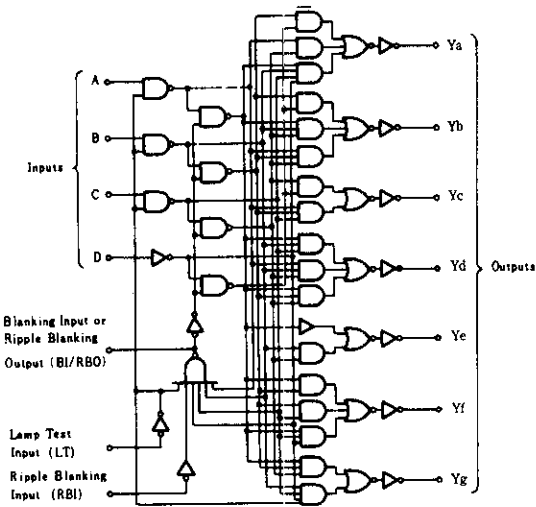
HD74LS47 • BCD-to-Seven-Segment Decoder/Driver (with 15V Outputs)

HD74LS47 features active-low outputs designed for driving incandescent indicators directly. This device has full ripple-blanking input/output controls and a lamp test input. Display patterns for BCD input counts above 9 are unique symbols to authenticate input conditions. This circuit incorporates automatic leading and/or trailing-edge zero-blanking control (RBI and RBO). Lamp test (LT) of these types may be performed at any time when the BI/RBO node is at a high level. It contains an overriding blanking input (BI) which can be used to control the lamp intensity of pulsing or to inhibit the outputs. Inputs and outputs are entirely compatible for use with TTL or DTL logic outputs.

■ PIN ARRANGEMENT



■ BLOCK DIAGRAM



■ ABSOLUTE MAXIMUM RATINGS

Item	Symbol	Ratings	Unit
Supply voltage	V_{CC}	7.0	V
Input voltage	V_{IN}	7.0	V
Output current ($I_W \leq 1\text{ms, duty cycle} \leq 10\%$)	$I_{O(\text{prakt})}$	200	mA
Output current (off-state)	$I_{O(\text{off})}$	1	mA
Operating temperature range	T_{opr}	-20 ~ +75	°C
Storage temperature range	T_{stg}	-65 ~ +150	°C

HD74LS47

FUNCTION TABLE

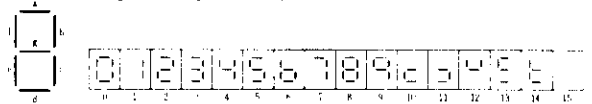
Decimal or Function	Inputs						BI/RBO	Outputs							Note
	LT	RBI	D	C	B	A		a	b	c	d	e	f	g	
0	H	H	L	L	L	L	H	ON	ON	ON	ON	ON	ON	OFF	1
1	H	X	L	L	L	H	H	OFF	ON	ON	OFF	OFF	OFF	OFF	
2	H	X	L	L	H	L	H	ON	ON	OFF	ON	ON	OFF	ON	
3	H	X	L	L	H	H	H	ON	ON	ON	ON	OFF	OFF	ON	
4	H	X	L	H	L	L	H	OFF	ON	ON	OFF	OFF	ON	ON	
5	H	X	L	H	L	H	H	ON	OFF	ON	ON	OFF	ON	ON	
6	H	X	L	H	H	L	H	OFF	OFF	ON	ON	ON	ON	ON	
7	H	X	L	H	H	H	H	ON	ON	ON	OFF	OFF	OFF	OFF	
8	H	X	H	L	L	L	H	ON	ON	ON	ON	ON	ON	ON	
9	H	X	H	L	L	H	H	ON	ON	ON	OFF	OFF	ON	ON	
10	H	X	H	L	H	L	H	OFF	OFF	OFF	ON	ON	OFF	ON	
11	H	X	H	L	H	H	H	OFF	OFF	ON	ON	OFF	OFF	ON	
12	H	X	H	H	L	L	H	OFF	ON	OFF	OFF	OFF	ON	ON	
13	H	X	H	H	L	H	H	ON	OFF	OFF	ON	OFF	ON	ON	
14	H	X	H	H	H	L	H	OFF	OFF	OFF	ON	ON	ON	ON	
15	H	X	H	H	H	H	H	OFF	OFF	OFF	OFF	OFF	OFF	OFF	
BI	X	X	X	X	X	X	L	OFF	OFF	OFF	OFF	OFF	OFF	OFF	2
RBI	H	L	L	L	L	L	L	OFF	OFF	OFF	OFF	OFF	OFF	OFF	3
LT	L	X	X	X	X	X	H	ON	ON	ON	ON	ON	ON	ON	4

H; high level, L; low level, X; irrelevant

- Notes:
1. The blanking input (BI) must be open or held at a high logic level when output functions 0 through 15 are desired. The ripple-blanking input (RBI) must be open or high if blanking of a decimal zero is not desired.
 2. When a low logic level is applied directly to the blanking input (BI), all segment outputs are off regardless of the level of any other input.
 3. When ripple-blanking input (RBI) and inputs A, B, C, and D are a low level with the lamp test input high, all segment outputs go off and the ripple-blanking output (RBO) goes

to a low level (response condition).

4. When a blanking input/ripple blanking output (BI/RBO) is open or held high and a low is applied to the lamp-test input, all segment outputs are on.



RECOMMENDED OPERATING CONDITIONS

Item	Symbol	min	typ	max	Unit
Supply voltage	V_{CC}	4.75	5.0	5.25	V
Off-state output voltage*	$V_{O(off)}$			15	V
On-state output current*	$I_{O(on)}$			24	mA
High level output current**	I_{OH}			-50	μ A
Low level output current**	I_{OL}			3.2	mA
Operating temperature range	T_{op}	-20	25	75	$^{\circ}$ C

* Applied to the a through g outputs.

** BI/RBO terminal.

■ ELECTRICAL CHARACTERISTICS ($T_a = -20 \sim +75^\circ\text{C}$)

Item	Symbol	Test Conditions	min	typ*	max	Unit	
Input voltage	V_{IH}		2.0	—	—	V	
	V_{IL}		—	—	0.8	V	
Output voltage	BI/RBO	V_{OH}	$V_{CC} = 4.75\text{V}, V_{IH} = 2\text{V}, V_{IL} = 0.8\text{V}, I_{OH} = -50\mu\text{A}$	2.4	—	—	V
		V_{OL}	$V_{CC} = 4.75\text{V}, V_{IH} = 2\text{V}, V_{IL} = 0.8\text{V}$	—	—	0.4	V
	a ~ g	$V_{O(on)}$	$V_{CC} = 5.25\text{V}, V_{IH} = 2\text{V}, V_{IL} = 0.8\text{V}$	—	—	0.5	V
		$V_{O(off)}$	$V_{CC} = 5.25\text{V}, V_{IH} = 2\text{V}, V_{IL} = 0.8\text{V}$	—	—	0.4	V
Output current	a ~ g	$I_{O(off)}$	$V_{CC} = 5.25\text{V}, V_{IH} = 2\text{V}, V_{IL} = 0.8\text{V}, V_{O(off)} = 15\text{V}$	—	—	250	μA
Input current	All input except BI/RBO	I_{IH}	$V_{CC} = 5.25\text{V}, V_I = 2.7\text{V}$	—	—	20	μA
		I_{IL}	$V_{CC} = 5.25\text{V}, V_I = 0.4\text{V}$	—	—	-0.4	mA
	BI/RBO	I_I	$V_{CC} = 5.25\text{V}, V_I = 7\text{V}$	—	—	-1.2	mA
		I_I	$V_{CC} = 5.25\text{V}, V_I = 7\text{V}$	—	—	0.1	mA
Short-circuit output current	BI/RBO	I_{OS}	$V_{CC} = 5.25\text{V}$	-0.3	—	-2	mA
Supply current **	I_{CC}	$V_{CC} = 5.25\text{V}$	—	7	13	mA	
Input clamp voltage	V_{IK}	$V_{CC} = 4.75\text{V}, I_{IN} = -18\text{mA}$	—	—	-1.5	V	

* $V_{CC} = 5\text{V}, T_a = 25^\circ\text{C}$

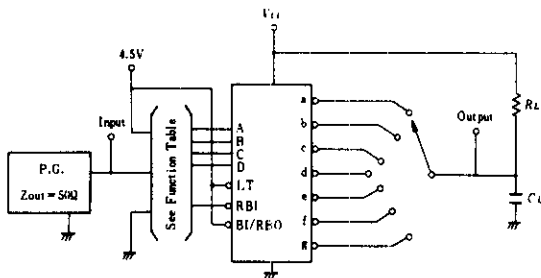
** I_{CC} is measured with all outputs open and all inputs at 4.5V.

■ SWITCHING CHARACTERISTICS ($V_{CC} = 5\text{V}, T_a = 25^\circ\text{C}$)

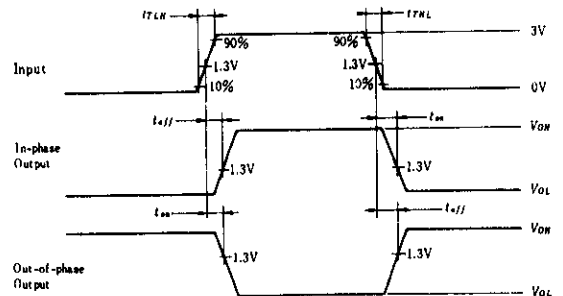
Item	Symbol	Input	Test Conditions	min	typ	max	Unit
Turn-on time	t_{on}	A	$C_L = 15\text{pF}, R_L = 665\Omega$	—	—	100	ns
		RBI		—	—	100	ns
Turn-off time	t_{off}	A		—	—	100	ns
		RBI		—	—	100	ns

■ TESTING METHOD

1) Test Circuit



Waveform



Input pulse; $t_{THL} \leq 15\text{ns}, t_{TFL} \leq 6\text{ns}, PRR = 1\text{MHz},$
duty cycle 50%.

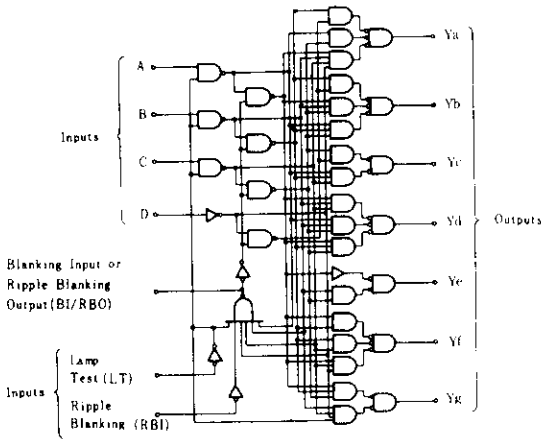
2) Testing Table

Item	Inputs					Outputs						
	RBI	D	C	B	A	a	b	c	d	e	f	g
t_{on}	4.5V	GND	GND	GND	IN	OUT	—	—	OUT	OUT	OUT	—
	4.5V	GND	GND	4.5V	IN	—	—	OUT	—	OUT	—	—
t_{off}	4.5V	GND	4.5V	4.5V	IN	OUT	OUT	—	OUT	OUT	OUT	OUT
	IN	GND	GND	GND	GND	OUT	OUT	OUT	OUT	OUT	OUT	—

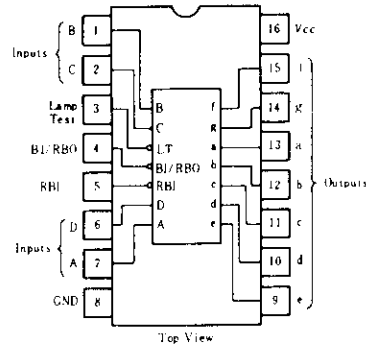
HD74LS48 • BCD-to-Seven-Segment Decoder Driver (Internal Pull-up outputs)

The HD74LS48 features active high outputs for driving lamp buffers. This circuit has full ripple blanking input/output controls and a lamp test input. Display patterns for BCD input counts above 9 are unique symbols to authenticate input conditions. This circuit incorporates automatic leading and/or trailing-edge zero-blanking control (RBI and RBO). Lamp test (LT) of these types may be performed at any time when the BI/RBO node is at a high level. It contains an overriding blanking input (BI) which can be used to control the lamp intensity by pulsing or to inhibit the outputs. Inputs and outputs are entirely compatible for use with TTL or DTL logic outputs.

■ BLOCK DIAGRAM



■ PIN ARRANGEMENT



■ RECOMMENDED OPERATING CONDITIONS

Item	Symbol	min	typ	max	Unit
High level output current	I_{OH} a~g	—	—	—100	μA
	BI/RBO	—	—	—50	μA
Low level output current	I_{OL} a~g	—	—	6	mA
	BI/RBO	—	—	3.2	mA

■ FUNCTION TABLE

Decimal or Function	Inputs							Outputs							Note
	LT	RBI	D	C	B	A	BI/RBO	a	b	c	d	e	f	g	
0	H	H	L	L	L	L	H	H	H	H	H	H	H	L	
1	H	X	L	L	L	H	H	L	H	H	L	L	L	L	
2	H	X	L	L	H	L	H	H	H	L	H	H	L	H	
3	H	X	L	L	H	H	H	H	H	H	H	L	L	H	
4	H	X	L	H	L	L	H	L	H	H	L	L	H	H	
5	H	X	L	H	L	H	H	H	L	H	H	L	H	H	
6	H	X	L	H	H	L	H	L	L	H	H	H	H	H	
7	H	X	L	H	H	H	H	H	H	H	L	L	L	L	
8	H	X	H	L	L	L	H	H	H	H	H	H	H	H	
9	H	X	H	L	L	H	H	H	H	H	L	L	H	H	
10	H	X	H	L	H	L	H	L	L	L	H	L	L	H	
11	H	X	H	L	H	H	H	L	L	H	H	L	L	H	
12	H	X	H	H	L	L	H	L	H	L	L	L	H	H	
13	H	X	H	H	L	H	H	H	L	L	L	H	H	H	
14	H	X	H	H	H	L	H	L	L	L	H	H	H	H	
15	H	X	H	H	H	H	H	L	L	L	L	L	L	L	
BI	X	X	X	X	X	X	L	L	L	L	L	L	L	L	
RBI	H	L	L	L	L	L	L	L	L	L	L	L	L	L	
LT	L	X	X	X	X	X	H	H	H	H	H	H	H	H	

H; high level, L; low level, X; irrelevant

- Notes:
- The blanking input (BI) must be open or held at a high logic level when output functions 0 through 15 are desired.
 - When a low logic level is applied directly to the blanking input (BI), all segment outputs are low regardless of the level of any other input.
 - When ripple-blanking input (RBI) and inputs A, B, C, and D are at a low level with the lamp-test input high, all segment outputs go low and the ripple-blanking output (RBO)

- goes to a low level (response condition).
- When a blanking input/ripple blanking output (BI/RBO) is open or held high and a low is applied to the lamp-test input, all segment outputs are high.



■ ELECTRICAL CHARACTERISTICS ($T_a = -20 \sim +75^\circ\text{C}$)

Item	Symbol	Test Conditions	min	typ*	max	Unit	
Input voltage	V_{IH}		2.0	—	—	V	
	V_{IL}		—	—	0.8	V	
Output voltage	a ~ g BI/RBO	$V_{CC} = 4.75\text{V}, V_{IH} = 2\text{V}, V_{IL} = 0.8\text{V}$	$I_{OH} = -100\mu\text{A}$ $I_{OH} = -50\mu\text{A}$	2.4	—	—	V
	a ~ g BI/RBO		$I_{OL} = 2\text{mA}$	—	—	0.4	V
			$I_{OL} = 6\text{mA}$	—	—	0.5	
			$I_{OL} = 1.6\text{mA}$	—	—	0.4	
			$I_{OL} = 3.2\text{mA}$	—	—	0.5	
Output current **	a ~ g I_O	$V_{CC} = 4.75\text{V}, V_O = 0.85\text{V}$	-1.3	—	—	mA	
Input current	except BI/RBO	$V_{CC} = 5.25\text{V}, V_I = 2.7\text{V}$	—	—	20	μA	
	BI/RBO	$V_{CC} = 5.25\text{V}, V_I = 0.4\text{V}$	—	—	-0.4	mA	
		$V_{CC} = 5.25\text{V}, V_I = 0.4\text{V}$	—	—	-1.2		
	except BI/RBO	I_I	$V_{CC} = 5.25\text{V}, V_I = 7\text{V}$	—	—	0.1	mA
Short-circuit output current	BI/RBO	I_{OS}	-0.3	—	-2	mA	
Supply current ***	I_{CC}	$V_{CC} = 5.25\text{V}$	—	25	38	mA	
Input clamp voltage	V_{IK}	$V_{CC} = 4.75\text{V}, I_{IN} = -18\text{mA}$	—	—	-1.5	V	

* $V_{CC} = 5\text{V}, T_a = 25^\circ\text{C}$

** Input condition as for V_{OH}

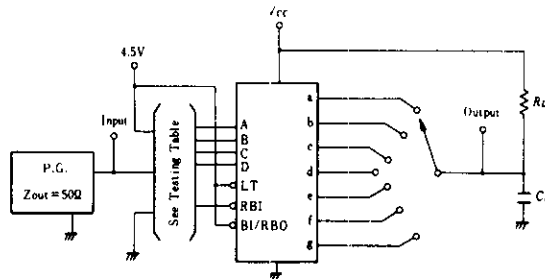
*** I_{CC} is measured with all outputs open and all inputs at 4.5V.

■ SWITCHING CHARACTERISTICS ($V_{CC} = 5\text{V}, T_a = 25^\circ\text{C}$)

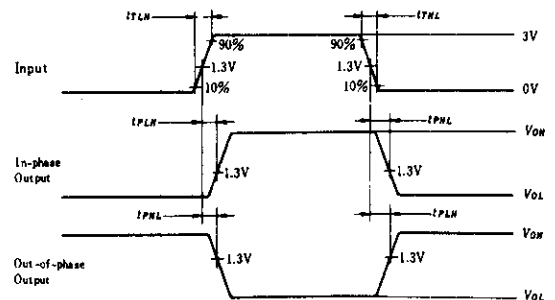
Item	Symbol	Input	Test Conditions	min	typ	max	Unit
Propagation delay time	t_{PHL}	A	$C_L = 15\text{pF}, R_L = 4\text{k}\Omega$	—	—	100	ns
	t_{PLH}			—	—	100	
	t_{PHL}	RBI	$C_L = 15\text{pF}, R_L = 6\text{k}\Omega$	—	—	100	ns
	t_{PLH}			—	—	100	

■ TESTING METHOD

1) Test Circuit



Waveform



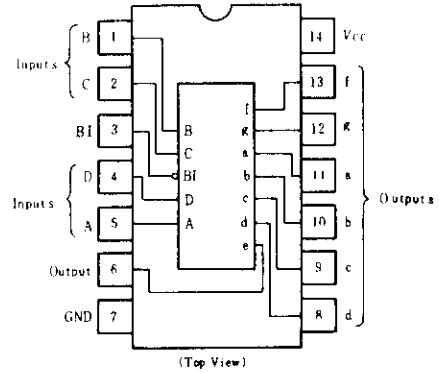
2) Testing Table

Item	Inputs				Outputs							
	RBI	D	C	B	A	a	b	c	d	e	f	g
	4.5V	GND	GND	GND	IN	OUT	—	—	OUT	OUT	OUT	—
t_{PLH}	4.5V	GND	GND	4.5V	IN	—	—	OUT	—	OUT	—	—
t_{PHL}	4.5V	GND	4.5V	4.5V	IN	OUT	OUT	—	OUT	OUT	OUT	OUT
		IN	GND	GND	GND	OUT	OUT	OUT	OUT	OUT	OUT	—

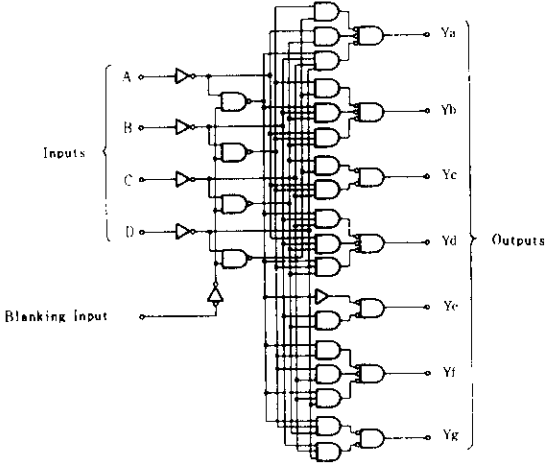
HD74LS49 • BCD-to-Seven Segment Decoder/Driver (with Open collector outputs)

The HD74LS49 features active-high outputs for driving lamp buffer. This circuit incorporates a direct blanking input. Segment identification and resultant displays are shown below. Segment identification and resultant displays are shown below. Display patterns for BCD input counts above 9 are unique symbols to authenticate input conditions. It contains an overriding blanking input (BI) which can be used to control the lamp intensity by pulsing or to inhibit the output. Inputs and outputs are entirely compatible for use with TTL or DTL logic outputs.

■ PIN ARRANGEMENT



■ BLOCK DIAGRAM



■ ABSOLUTE MAXIMUM RATINGS

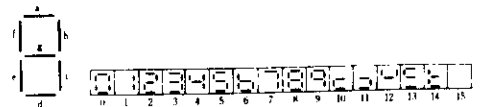
Item	Symbol	Ratings	Unit
Supply voltage	V_{CC}	7.0	V
Input voltage	V_{IS}	7.0	V
Output current (off state)	$I_{O(off)}$	1	mA
Operating temperature range	T_{opr}	-20 ~ +75	°C
Storage temperature range	T_{str}	65 ~ +150	°C

■ FUNCTION TABLE

Decimal or Function	Inputs					Outputs							Note
	D	C	B	A	BI	a	b	c	d	e	f	g	
0	L	L	L	L	H	H	H	H	H	H	H	L	
1	L	L	L	H	H	L	H	H	L	L	L	L	
2	L	L	H	L	H	H	H	L	H	H	L	H	
3	L	L	H	H	H	H	H	H	H	L	L	H	
4	L	H	L	L	H	L	H	H	L	L	H	H	
5	L	H	L	H	H	H	H	L	H	L	H	H	
6	L	H	H	L	H	L	L	H	H	H	H	H	
7	L	H	H	H	H	H	H	H	L	L	L	L	
8	H	L	L	L	H	H	H	H	H	H	H	H	
9	H	L	L	H	H	H	H	H	L	L	H	H	
10	H	L	H	L	H	L	L	L	H	H	L	H	
11	H	L	H	H	H	L	L	H	H	L	L	H	
12	H	H	L	L	H	L	H	L	L	L	H	H	
13	H	H	L	H	H	H	L	L	H	L	H	H	
14	H	H	H	L	H	L	L	L	H	H	H	H	
15	H	H	H	H	H	L	L	L	L	L	L	L	
BI	X	X	X	X	L	L	L	L	L	L	L	L	

H; high level, L; low level, X; irrelevant

- Notes: 1. The blanking input (BI) must be open or held at a high logic level when output functions 0 through 15 are desired.
 2. When a low logic level is applied directly to the blanking input (BI), all segment outputs are low regardless of the level of any other input.



■ ELECTRICAL CHARACTERISTICS ($T_a = -20 \sim +75^\circ\text{C}$)

Item	Symbol	Test Conditions	min	typ*	max	Unit	
Input voltage	V_{IH}		2.0	—	—	V	
	V_{IL}		—	—	0.8	V	
Output current	I_{OH}	$V_{CC} = 4.75\text{V}$, $V_{IH} = 2\text{V}$, $V_{IL} = 0.8\text{V}$, $V_{OH} = 5.5\text{V}$	—	—	250	μA	
Output voltage	V_{OL}	$V_{CC} = 4.75\text{V}$, $V_{IH} = 2\text{V}$, $V_{IL} = 0.8\text{V}$	$I_{OL} = 4\text{mA}$	—	—	0.4	V
			$I_{OL} = 8\text{mA}$	—	—	0.5	
Input current	I_{IH}	$V_{CC} = 5.25\text{V}$, $V_I = 2.7\text{V}$	—	—	20	μA	
	I_{IL}	$V_{CC} = 5.25\text{V}$, $V_I = 0.4\text{V}$	—	—	-0.4	mA	
	I_I	$V_{CC} = 5.25\text{V}$, $V_I = 7\text{V}$	—	—	0.1	mA	
Supply current **	I_{CC}	$V_{CC} = 5.25\text{V}$	—	8	15	mA	
Input clamp voltage	V_{IK}	$V_{CC} = 4.75\text{V}$, $I_{IS} = -18\text{mA}$	—	—	-1.5	V	

* $V_{CC} = 5\text{V}$, $T_a = 25^\circ\text{C}$

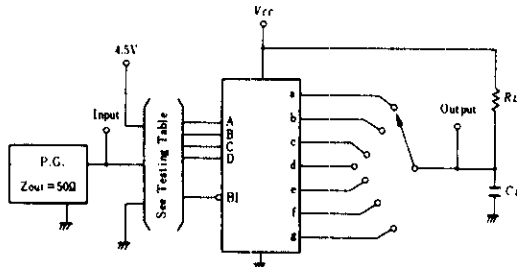
** I_{CC} is measured with all outputs open and all inputs at 4.5V.

■ SWITCHING CHARACTERISTICS ($V_{CC} = 5\text{V}$, $T_a = 25^\circ\text{C}$)

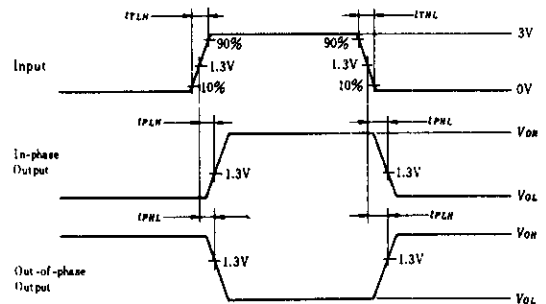
Item	Symbol	Input	Test Conditions	min	typ	max	Unit
Propagation delay time	t_{PHL}	A	$C_L = 15\text{pF}$, $R_L = 2\text{k}\Omega$	—	—	100	ns
	t_{PLH}			—	—	100	
	t_{PHL}	BI	$C_L = 15\text{pF}$, $R_L = 6\text{k}\Omega$	—	—	100	ns
	t_{PLH}			—	—	100	

■ TESTING METHOD

1) Test Circuit



Waveform

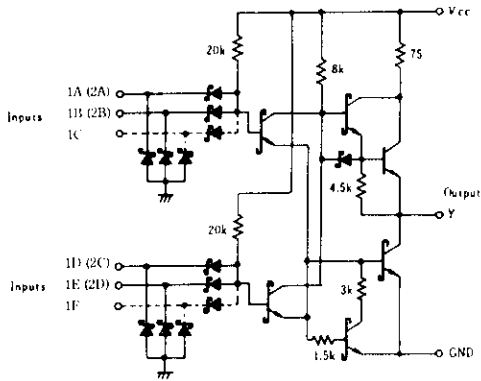


2) Testing Table

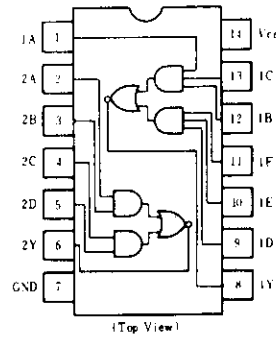
Item	Inputs					Outputs						
	BI	D	C	B	A	a	b	c	d	e	f	g
t_{PHL}	4.5V	GND	GND	GND	IN	OUT	—	—	OUT	OUT	OUT	—
	4.5V	GND	GND	4.5V	IN	—	—	OUT	—	OUT	—	—
t_{PLH}	4.5V	GND	4.5V	4.5V	IN	OUT	OUT	—	OUT	OUT	OUT	OUT
	IN	GND	GND	GND	GND	OUT	OUT	OUT	OUT	OUT	OUT	—

HD74LS51 ● 2-wide 2-input, 2-wide 3-input AND-OR-INVERT Gates

■ CIRCUIT SCHEMATIC (1/2)



■ PIN ARRANGEMENT



■ ELECTRICAL CHARACTERISTICS ($T_a = -20 \sim +75^\circ\text{C}$)

Item	Symbol	Test Conditions	min	typ*	max	Unit	
Input voltage	V_{IH}		2.0	—	—	V	
	V_{IL}		—	—	0.8	V	
Output voltage	V_{OH}	$V_{CC} = 4.75\text{V}$, $V_{IL} = 0.8\text{V}$, $I_{OH} = -400\mu\text{A}$	2.7	—	—	V	
	V_{OL}	$V_{CC} = 4.75\text{V}$, $V_{IH} = 2\text{V}$	$I_{OL} = 8\text{mA}$	—	—	0.5	V
			$I_{OL} = 4\text{mA}$	—	—	0.4	
Input current	I_{IH}	$V_{CC} = 5.25\text{V}$, $V_I = 2.7\text{V}$	—	—	20	μA	
	I_{IL}	$V_{CC} = 5.25\text{V}$, $V_I = 0.4\text{V}$	—	—	-0.4	mA	
	I_I	$V_{CC} = 5.25\text{V}$, $V_I = 7\text{V}$	—	—	0.2	mA	
Short-circuit output current	I_{OS}	$V_{CC} = 5.25\text{V}$	-20	—	-100	mA	
Supply current	I_{CCH}	$V_{CC} = 5.25\text{V}$	—	0.8	1.6	mA	
	I_{CCL}		—	1.4	2.8		
Input clamp voltage	V_{IK}	$V_{CC} = 4.75\text{V}$, $I_{IS} = -18\text{mA}$	—	—	-1.5	V	

* $V_{CC} = 5\text{V}$, $T_a = 25^\circ\text{C}$

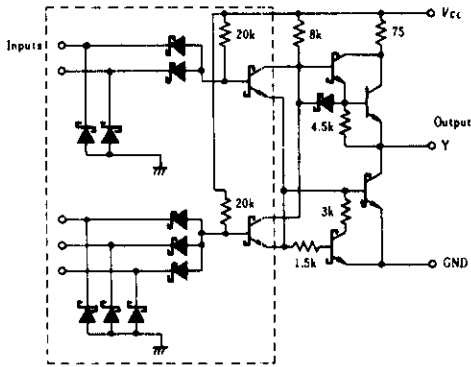
■ SWITCHING CHARACTERISTICS ($V_{CC} = 5\text{V}$, $T_a = 25^\circ\text{C}$)

Item	Symbol	Test Conditions	min	typ	max	Unit
Propagation delay time	t_{PLH}	$C_L = 15\text{pF}$, $R_L = 2\text{k}\Omega$	—	12	20	ns
	t_{PHL}		—	12.5	20	

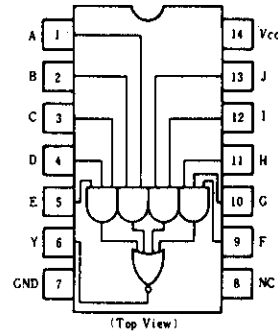
Note) Refer to Test Circuit and Waveform of the Common Item

HD74LS54 ● 4-wide 2-input, 3-input AND-OR-INVERT Gates

■ CIRCUIT SCHEMATIC



■ PIN ARRANGEMENT



Note) The schematic within the dashed line is included the half input terminals of HD74LS54.

■ ELECTRICAL CHARACTERISTICS ($T_a = -20 \sim +75^\circ\text{C}$)

Item	Symbol	Test Conditions	min	typ*	max	Unit	
Input voltage	V_{IH}		2.0	—	—	V	
	V_{IL}		—	—	0.8	V	
Output voltage	V_{OH}	$V_{CC} = 4.75\text{V}$, $V_{IL} = 0.8\text{V}$, $I_{OH} = -400\mu\text{A}$	2.7	—	—	V	
	V_{OL}	$V_{CC} = 4.75\text{V}$, $V_{IH} = 2\text{V}$	$I_{OL} = 8\text{mA}$	—	—	0.5	V
			$I_{OL} = 4\text{mA}$	—	—	0.4	
Input current	I_{IH}	$V_{CC} = 5.25\text{V}$, $V_I = 2.7\text{V}$	—	—	20	μA	
	I_{IL}	$V_{CC} = 5.25\text{V}$, $V_I = 0.4\text{V}$	—	—	-0.4	mA	
	I_I	$V_{CC} = 5.25\text{V}$, $V_I = 7\text{V}$	—	—	0.1	mA	
Short-circuit output current	I_{OS}	$V_{CC} = 5.25\text{V}$	-20	—	-100	mA	
Supply current	I_{CCN}	$V_{CC} = 5.25\text{V}$	—	0.8	1.6	mA	
	I_{CCL}		—	1.0	2.0		
Input clamp voltage	V_{IK}	$V_{CC} = 4.75\text{V}$, $I_{IN} = -18\text{mA}$	—	—	-1.5	V	

* $V_{CC} = 5\text{V}$, $T_a = 25^\circ\text{C}$

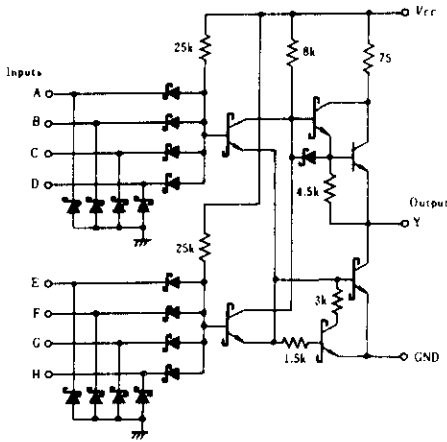
■ SWITCHING CHARACTERISTICS ($V_{CC} = 5\text{V}$, $T_a = 25^\circ\text{C}$)

Item	Symbol	Test Conditions	min	typ	max	Unit
Propagation delay time	t_{PLH}	$C_L = 15\text{pF}$, $R_L = 2\text{k}\Omega$	—	12	20	ns
	t_{PHL}		—	12.5	20	

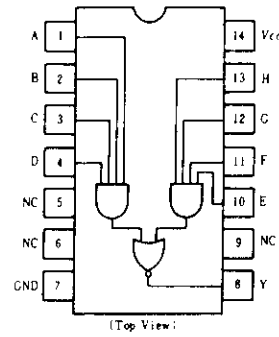
Note) Refer to Test Circuit and Waveform of the Common Item

HD74LS55 ● 2-wide 4-input AND-OR-INVERT Gates

■ CIRCUIT SCHEMATIC



■ PIN ARRANGEMENT



■ ELECTRICAL CHARACTERISTICS ($T_a = -20 \sim +75^\circ\text{C}$)

Item	Symbol	Test Conditions	min	typ*	max	Unit	
Input voltage	V_{IH}		2.0	—	—	V	
	V_{IL}		—	—	0.8	V	
Output voltage	V_{OH}	$V_{CC} = 4.75\text{V}, V_{IL} = 0.8\text{V}, I_{OH} = -400\mu\text{A}$	2.7	—	—	V	
	V_{OL}	$V_{CC} = 4.75\text{V}, V_{IH} = 2\text{V}$	$I_{OL} = 8\text{mA}$	—	—	0.5	V
			$I_{OL} = 4\text{mA}$	—	—	0.4	
Input current	I_{IH}	$V_{CC} = 5.25\text{V}, V_I = 2.7\text{V}$	—	—	20	μA	
	I_{IL}	$V_{CC} = 5.25\text{V}, V_I = 0.4\text{V}$	—	—	-0.4	mA	
	I_I	$V_{CC} = 5.25\text{V}, V_I = 7\text{V}$	—	—	0.1	mA	
Short-circuit output current	I_{OS}	$V_{CC} = 5.25\text{V}$	-20	—	-100	mA	
Supply current	I_{CCH}	$V_{CC} = 5.25\text{V}$	—	0.4	0.8	mA	
	I_{CCL}		—	0.7	1.3		
Input clamp voltage	V_{IK}	$V_{CC} = 4.75\text{V}, I_{IN} = -18\text{mA}$	—	—	-1.5	V	

* $V_{CC} = 5\text{V}, T_a = 25^\circ\text{C}$

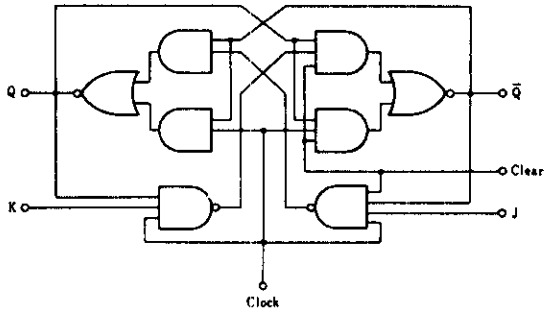
■ SWITCHING CHARACTERISTICS ($V_{CC} = 5\text{V}, T_a = 25^\circ\text{C}$)

Item	Symbol	Test Conditions	min	typ	max	Unit
Propagation delay time	t_{PLH}	$C_L = 15\text{pF}, R_L = 2\text{k}\Omega$	—	12	20	ns
	t_{PHL}		—	12.5	20	

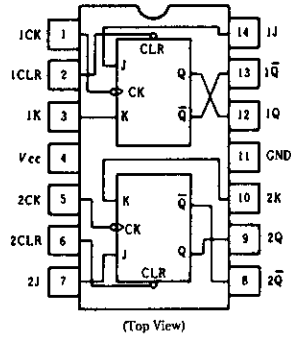
Note) Refer to Test Circuit and Waveform of the Common Item

HD74LS73A ● Dual J-K Flip-Flops (with Clear)

■ BLOCK DIAGRAM (1/2)



■ PIN ARRANGEMENT



■ FUNCTION TABLE

Inputs				Outputs	
Clear	Clock	J	K	Q	\bar{Q}
L	X	X	X	L	H
H	↓	L	L	Q_0	\bar{Q}_0
H	↓	H	L	H	L
H	↓	L	H	L	H
H	↓	H	H	Toggle	
H	H	X	X	Q_0	\bar{Q}_0

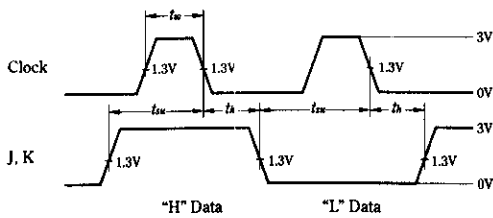
Notes) H; high level, L; low level, X; irrelevant
 ↓; transition from high to low level
 Q_0 ; level of Q before the indicated steady-state input conditions were established.
 \bar{Q}_0 ; complement of Q_0 or level of Q before the indicated steady-state input conditions were established.
 Toggle; each output changes to the complement of its previous level on each active transition indicated by ↓.

■ RECOMMENDED OPERATING CONDITION

Item	Symbol	min	typ	max	Unit
Clock frequency	f_{clock}	0	—	30	MHz
Pulse width	Clock High	20	—	—	ns
	Clear Low	25	—	—	
Setup time	"H" Data	20↓	—	—	ns
	"L" Data	20↓	—	—	
Hold time	t_h	0↓	—	—	ns

Note) ↓; The arrow indicates the falling edge.

■ TIMING DEFINITION



HD74LS73A

ELECTRICAL CHARACTERISTICS ($T_a = -20 \sim +75^\circ\text{C}$)

Item	Symbol	Test Conditions	min	typ*	max	Unit	
Input voltage	V_{IH}		2.0	—	—	V	
	V_{IL}		—	—	0.8	V	
Output voltage	V_{OH}	$V_{CC}=4.75\text{V}, V_{IH}=2\text{V}, V_{IL}=0.8\text{V}, I_{OH}=-400\mu\text{A}$	2.7	—	—	V	
	V_{OL}	$V_{CC}=4.75\text{V}, V_{IH}=2\text{V}$	—	—	0.5	V	
		$V_{IL}=0.8\text{V}$	$I_{OL}=8\text{mA}$	—	—	0.4	V
Input current	J, K	$V_{CC}=5.25\text{V}, V_I=2.7\text{V}$	—	—	20	μA	
	Clear		I_{IH}	—	—	60	μA
	Clock		—	—	80	μA	
	J, K	$V_{CC}=5.25\text{V}, V_I=0.4\text{V}$	—	—	-0.4	mA	
	Clear		I_{IL}	—	—	0.8	mA
	Clock		—	—	-0.8	mA	
Input current	J, K	$V_{CC}=5.25\text{V}, V_I=7\text{V}$	—	—	0.1	mA	
	Clear		I_I	—	—	0.3	mA
	Clock		—	—	0.4	mA	
Short-circuit output current	I_{OS}	$V_{CC}=5.25\text{V}$	-20	—	-100	mA	
Supply current **	I_{CC}	$V_{CC}=5.25\text{V}$	—	4	6	mA	
Input clamp voltage	V_{IK}	$V_{CC}=4.75\text{V}, I_{IN}=-18\text{mA}$	—	—	-1.5	V	

* $V_{CC}=5\text{V}, T_a=25^\circ\text{C}$

** With all outputs open, I_{CC} is measured with the Q and \bar{Q} outputs high in turn. At the time of measurement, the clock input is grounded.

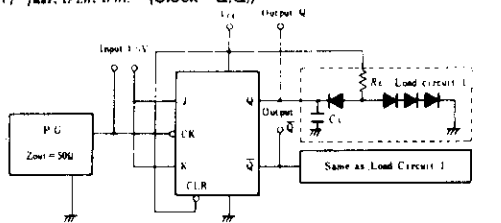
SWITCHING CHARACTERISTICS ($V_{CC}=5\text{V}, T_a=25^\circ\text{C}$)

Item	Symbol	Inputs	Outputs	Test Conditions	min	typ	max	Unit
Maximum clock frequency	f_{max}				30	45	—	MHz
Propagation delay time	t_{PLH}	Clear	Q, \bar{Q}	$C_L=15\text{pF}, R_L=2\text{k}\Omega$	—	15	20	ns
	t_{PHL}	Clock			—	15	20	ns

TESTING METHOD

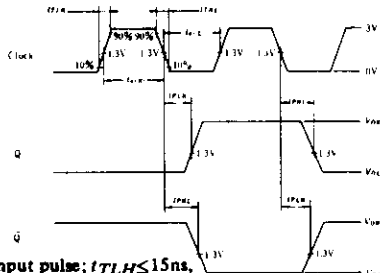
1) Test Circuit

1.1) $f_{max}, t_{PLH}, t_{PHL}$ (Clock \rightarrow Q, \bar{Q})



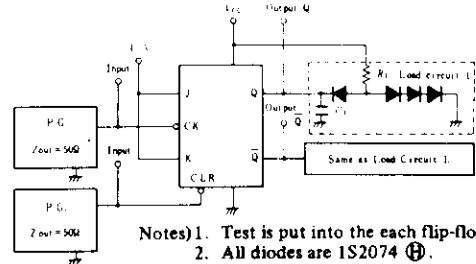
- Notes) 1. Test is put into the each flip flop
2. All diodes are 1S2074 \oplus .
3. C_L includes probe and jig capacitance.

Waveform



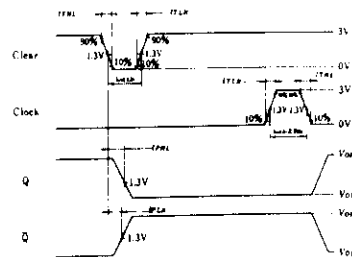
Note) Clock input pulse; $t_{TLH} \leq 15\text{ns}$,
 $t_{THL} \leq 6\text{ns}$, $PRR=1\text{MHz}$, duty
cycle=30% and; for f_{max} ,
 $t_{TLH}=t_{THL} \leq 2.5\text{ns}$.

1.2) t_{PHL} (Clear \rightarrow Q), t_{PLH} (Clear \rightarrow \bar{Q})



- Notes) 1. Test is put into the each flip-flop
2. All diodes are 1S2074 \oplus .
3. C_L includes probe and jig capacitance.

Waveform



Note) Clear and clock input pulse;
 $t_{TLH} \leq 15\text{ns}$, $t_{THL} \leq 6\text{ns}$,
 $PRR=1\text{MHz}$

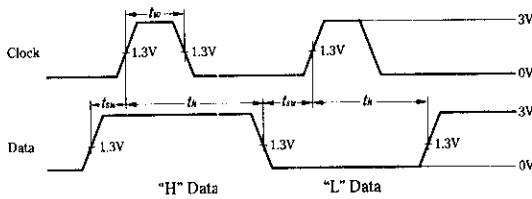
HD74LS74A • Dual D-type Positive Edge-triggered Flip-Flops (with Preset and Clear)

FUNCTION TABLE

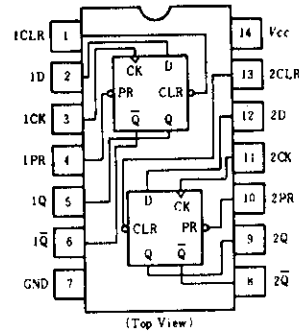
Inputs				Outputs	
Preset	Clear	Clock	D	Q	\bar{Q}
L	H	X	X	H	L
H	L	X	X	L	H
L	L	X	X	H*	H*
H	H	↑	H	H	L
H	H	↑	L	L	H
H	H	L	X	Q_0	\bar{Q}_0

Notes) H; high level, L; low level, X; irrelevant
 †; transition from low to high level
 Q_0 ; level of Q before the indicated steady-state conditions were established.
 \bar{Q}_0 ; complement of Q_0 or level of \bar{Q} before the indicated steady-state input conditions were established.
 *; This configuration is nonstable, that is, it will not persist when preset and clear inputs return to their inactive (high) level.

TIMING DEFINITION



PIN ARRANGEMENT



RECOMMENDED OPERATING CONDITIONS

Item	Symbol	min	typ	max	Unit
Clock frequency	f_{clock}	0	—	25	MHz
Pulse width	Clock High	25	—	—	ns
	Clear/Preset	25	—	—	
Setup time	"H" Data	20†	—	—	ns
	"L" Data	20†	—	—	
Hold time	t_h	5†	—	—	ns

Note) †; The arrow indicates the rising edge.

ELECTRICAL CHARACTERISTICS ($T_a = -20 \sim +75^\circ\text{C}$)

Item	Symbol	Test Conditions	min	typ*	max	Unit	
Input voltage	V_{IH}		2.0	—	—	V	
	V_{IL}		—	—	0.8	V	
Output voltage	V_{OH}	$V_{CC} = 4.75\text{V}$, $V_{IH} = 2\text{V}$, $V_{IL} = 0.8\text{V}$, $I_{OH} = -400\mu\text{A}$	2.7	—	—	V	
	V_{OL}	$V_{CC} = 4.75\text{V}$, $V_{IL} = 0.8\text{V}$, $V_{IH} = 2\text{V}$, $I_{OL} = 8\text{mA}$, $I_{OL} = 4\text{mA}$	—	—	0.5 0.4	V	
Input current	D	$V_{CC} = 5.25\text{V}$, $V_I = 2.7\text{V}$	—	—	20	μA	
	Clear		—	—	40		
	Preset		—	—	40		
	D		$V_{CC} = 5.25\text{V}$, $V_I = 0.4\text{V}$	—	—	-0.4	mA
	Clear			—	—	-0.8	
	Preset			—	—	-0.8	
Input current	D	$V_{CC} = 5.25\text{V}$, $V_I = 7\text{V}$	—	—	0.1	mA	
	Clear		—	—	0.2		
	Preset		—	—	0.2		
	Clock		—	—	0.1		
Short-circuit output current	I_{OS}	$V_{CC} = 5.25\text{V}$	-20	—	-100	mA	
Supply current	I_{CC}^{**}	$V_{CC} = 5.25\text{V}$	—	4	8	mA	
Input clamp voltage	V_{IK}	$V_{CC} = 4.75\text{V}$, $I_{IN} = -18\text{mA}$	—	—	-1.5	V	

* $V_{CC} = 5\text{V}$, $T_a = 25^\circ\text{C}$

** With all outputs open, I_{CC} is measured with the Q and \bar{Q} outputs high in turn. At the time of measurement, the clock input is grounded.

HD74LS74A

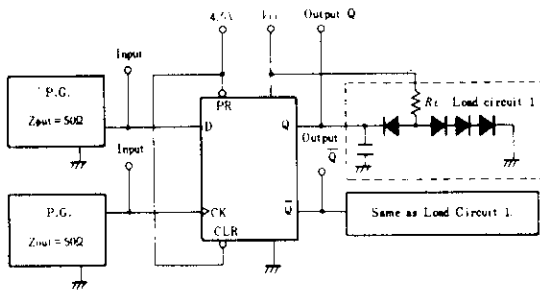
SWITCHING CHARACTERISTICS ($V_{CC}=5V$, $T_a=25^\circ C$)

Item	Symbol	Inputs	Outputs	Test Condition	min	typ	max	Unit
Maximum clock frequency	f_{max}			$C_L=15pF$, $R_L=2k\Omega$	25	33	—	MHz
Propagation delay time	t_{PLH}	Clock, Clear or Preset	Q, \bar{Q}		—	13	25	ns
	t_{PHL}				—	25	40	ns

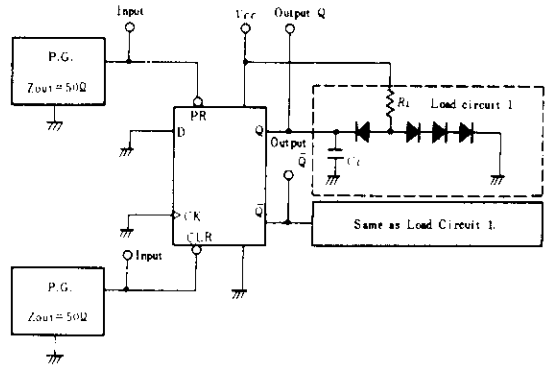
TESTING METHOD

1) Test Circuit

1.1) f_{max} , t_{PLH} , t_{PHL} (Clock→Q, \bar{Q})



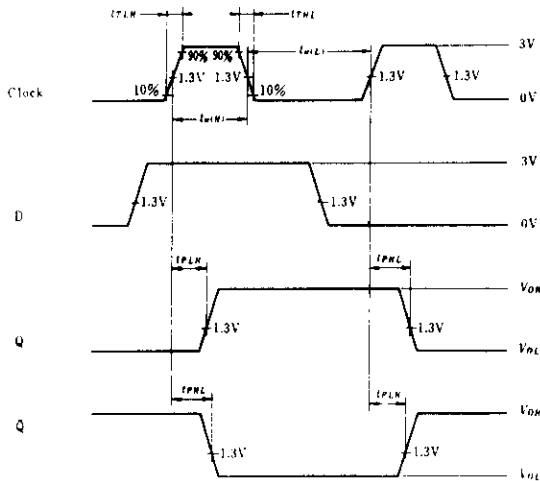
1.2) t_{PHL} , t_{PLH} (Clear or Preset→Q, \bar{Q})



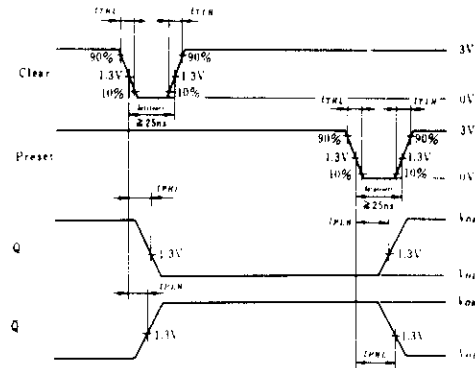
- Notes) 1. Test is put into the each flip-flop
 2. All diodes are 1S2074 (⊕).
 3. C_L includes probe and jig capacitance.

- Notes) 1. Test is put into the each flip-flop
 2. All diodes are 1S2074 (⊕).
 3. C_L includes probe and jig capacitance.

Waveform



Waveform



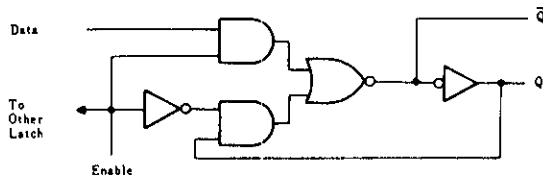
Note) Clear and preset input pulse;
 $t_{TLH} \leq 15ns$, $t_{THL} \leq 6ns$,
 $PRR=1MHz$

Note) Clock input pulse; $t_{TLH} \leq 15ns$,
 $t_{THL} \leq 6ns$, $PRR=1MHz$, duty
 cycle=30% and; for f_{max} ,
 $t_{TLH} = t_{THL} \leq 2.5ns$.

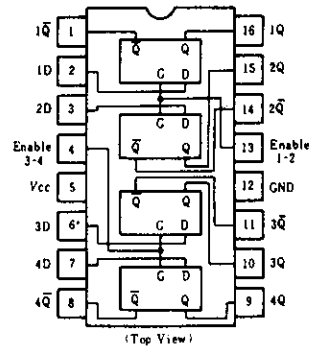
HD74LS75 • Quadruple Bistable Latches

The HD74LS75 is ideally suited for use as temporary storage for binary information between processing units and input/output or indicator units. Information present at a data(D) input is transferred to the Q output when the enable (G) is high and the Q output will follow the data input as long as the enable remains high. When the enable goes low, the information (that was present at the data input at the time the transition occurred) is retained at the Q output until the enable is permitted to go high. This device features complementary Q and \bar{Q} outputs from a 4-bit latch.

■ BLOCK DIAGRAM (1/4)



■ PIN ARRANGEMENT



■ FUNCTION TABLE

Inputs		Outputs	
D	G	Q	\bar{Q}
L	H	L	H
H	H	H	L
X	L	Q ₀	\bar{Q} ₀

Notes) H; high level, L; low level, X; irrelevant
 Q₀; level of Q before the indicated steady-state input conditions were established.
 \bar{Q} ₀; complement of Q₀ or level of \bar{Q} before the indicated steady-state input conditions were established.

■ RECOMMENDED OPERATING CONDITIONS

Item	Symbol	min	typ	max	Unit
Pulse width	t_w	20	—	—	ns
Setup time	t_{su}	15	—	—	ns
Hold time	t_h	5	—	—	ns

■ ELECTRICAL CHARACTERISTICS ($T_a = -20 \sim +75^\circ\text{C}$)

Item	Symbol	Test Conditions	min	typ*	max	Unit	
Input voltage	V_{IH}		2.0	—	—	V	
	V_{IL}		—	—	0.8	V	
Output voltage	V_{OH}	$V_{CC} = 4.75\text{V}, V_{IH} = 2\text{V}, V_{IL} = 0.8\text{V}, I_{OH} = -400\mu\text{A}$	2.7	—	—	V	
	V_{OL}	$V_{CC} = 4.75\text{V}, V_{IH} = 2\text{V}, V_{IL} = 0.8\text{V}$	$I_{OL} = 4\text{mA}$	—	—	0.4	V
			$I_{OL} = 8\text{mA}$	—	—	0.5	
Input current	I_{IH}	$V_{CC} = 5.25\text{V}, V_I = 2.7\text{V}$	D input	—	—	20	μA
			G input	—	—	80	
	I_{IL}	$V_{CC} = 5.25\text{V}, V_I = 0.4\text{V}$	D input	—	—	-0.4	mA
			G input	—	—	-1.6	
	I_I	$V_{CC} = 5.25\text{V}, V_I = 7\text{V}$	D input	—	—	0.1	mA
			G input	—	—	0.4	
Short-circuit output current	I_{OS}	$V_{CC} = 5.25\text{V}$	-20	—	-100	mA	
Supply current **	I_{CC}	$V_{CC} = 5.25\text{V}$	—	6.3	12	mA	
Input clamp voltage	V_{IK}	$V_{CC} = 4.75\text{V}, I_{IN} = -18\text{mA}$	—	—	-1.5	V	

* $V_{CC} = 5\text{V}, T_a = 25^\circ\text{C}$

** I_{CC} is measured with all outputs open and all inputs grounded.

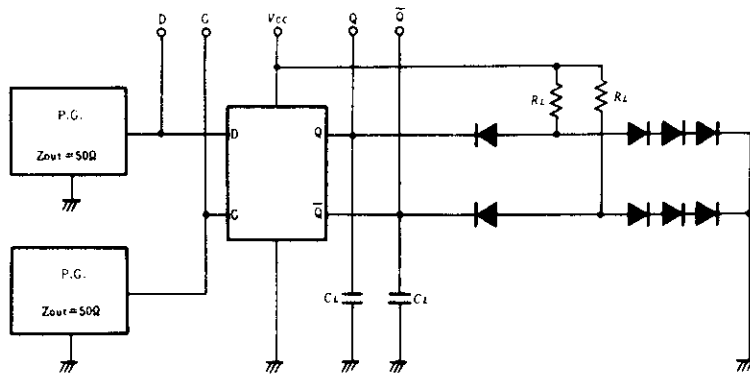
HD74LS75

SWITCHING CHARACTERISTICS ($V_{CC}=5V, T_a=25^{\circ}C$)

Item	Symbol	Input	Output	Test Conditions	min	typ	max	Unit
Propagation delay time	t_{PLH}	D	Q	$C_L=15pF,$ $R_L=2k\Omega$	—	15	27	ns
	t_{PHL}				—	9	17	
	t_{PLH}	D	\bar{Q}		—	12	20	ns
	t_{PHL}				—	7	15	
	t_{PLH}	G	Q		—	15	27	ns
	t_{PHL}				—	14	25	
	t_{PLH}	G	\bar{Q}		—	16	30	ns
	t_{PHL}				—	7	15	

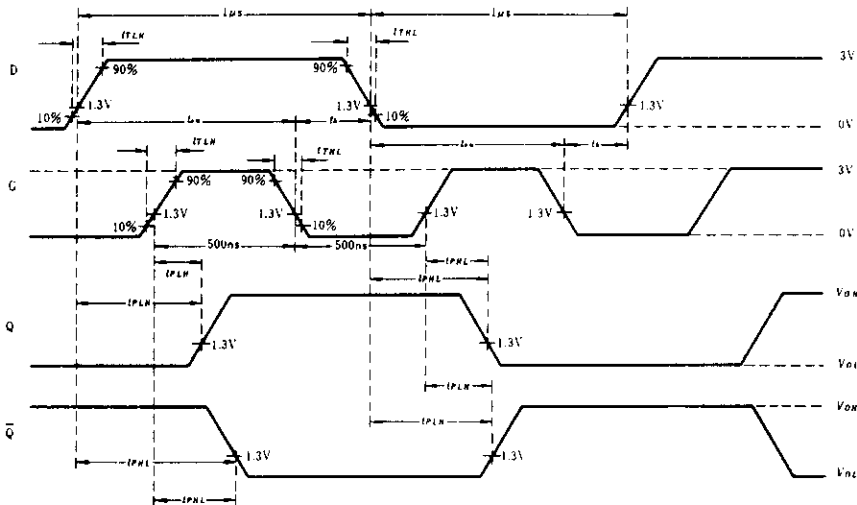
TESTING METHOD

1) Test Circuit



- Notes) 1. Test is put into the each latch
 2. All diodes are 1S2074 \oplus .
 3. C_L includes probe and jig capacitance.

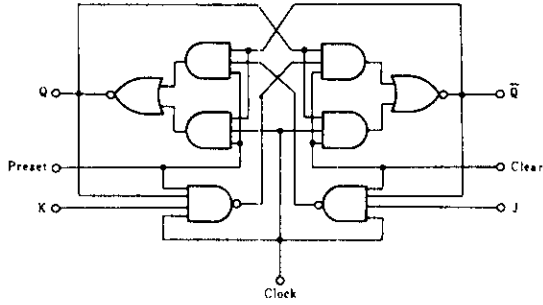
Waveform



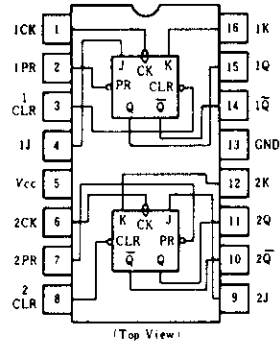
- Notes) 1. Input pulse; D input; $PRR=500kHz$, G input; $PRR=1MHz$, $t_{THL} \leq 10ns$, $t_{TLH} \leq 10ns$.
 2. When measuring propagation delay times from the D input, the corresponding G input must be held high.

HD74LS76A • Dual J-K Flip-Flops (with Preset and Clear)

■ BLOCK DIAGRAM (1/2)



■ PIN ARRANGEMENT

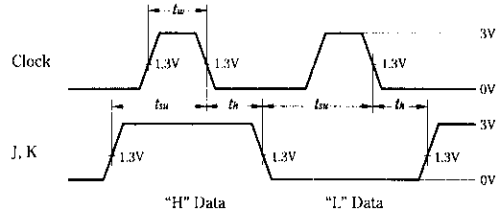


■ RECOMMENDED OPERATING CONDITIONS

Item	Symbol	min	typ	max	Unit
Clock frequency	f_{clock}	0	—	30	MHz
Pulse width	Clock High	20	—	—	ns
	Clear Preset Low	25	—	—	
Setup time	"H" Data	20↓	—	—	ns
	"L" Data	20↓	—	—	
Hold time	t_h	0↓	—	—	ns

Note) ↓; The arrow indicates the falling edge.

■ TIMING DEFINITION



■ ELECTRICAL CHARACTERISTICS ($T_a = -20 \sim +75^\circ\text{C}$)

Item	Symbol	Test Conditions	min	typ*	max	Unit	
Input voltage	V_{IH}		2.0	—	—	V	
	V_{IL}		—	—	0.8	V	
Output voltage	V_{OH}	$V_{CC} = 4.75\text{V}, V_{IH} = 2\text{V}, V_{IL} = 0.8\text{V}, I_{OH} = -400\mu\text{A}$	2.7	—	—	V	
	V_{OL}	$V_{CC} = 4.75\text{V}, V_{IH} = 2\text{V}, V_{IL} = 0.8\text{V}, I_{OL} = 8\text{mA}$	—	—	0.5	V	
		$I_{OL} = 4\text{mA}$	—	—	0.4		
Input current	J, K	I_{IH}	$V_{CC} = 5.25\text{V}, V_I = 2.7\text{V}$	—	—	20	μA
	Clear			—	—	60	
	Preset			—	—	60	
	Clock			—	—	80	
	J, K	I_{IL}^{**}	$V_{CC} = 5.25\text{V}, V_I = 0.4\text{V}$	—	—	-0.4	mA
	Clear			—	—	-0.8	
	Preset			—	—	-0.8	
	Clock			—	—	-0.8	
J, K	I_I	$V_{CC} = 5.25\text{V}, V_I = 7\text{V}$	—	—	0.1	mA	
Clear			—	—	0.3		
Preset			—	—	0.3		
Clock			—	—	0.4		
Short-circuit output current	I_{OS}	$V_{CC} = 5.25\text{V}$	-20	—	-100	mA	
Supply current ***	I_{CC}	$V_{CC} = 5.25\text{V}$	—	4	6	mA	
Input clamp voltage	V_{IK}	$V_{CC} = 4.75\text{V}, I_{IN} = -18\text{mA}$	—	—	-1.5	V	

* $V_{CC} = 5\text{V}, T_a = 25^\circ\text{C}$

** I_{IL} should not be measured when preset and clear inputs are low at same time.

*** With all outputs open, I_{CC} is measured with the Q and Q-bar outputs high in turn. At the time of measurement, the clock input is grounded.

HD74LS76A

FUNCTION TABLE

Inputs					Outputs	
Preset	Clear	Clock	J	K	Q	\bar{Q}
L	H	×	×	×	H	L
H	L	×	×	×	L	H
L	L	×	×	×	H*	H*
H	H	↓	L	L	Q ₀	\bar{Q}_0
H	H	↓	H	L	H	L
H	H	↓	L	H	L	H
H	H	↓	H	H	Toggle	
H	H	H	×	×	Q ₀	\bar{Q}_0

Notes) H; high level, L; low level, X; irrelevant

↓; transition from high to low level

Q₀; level of Q before the indicated steady-state input conditions were established.

\bar{Q}_0 ; complement of Q₀ or level of \bar{Q} before the indicated steady-state input conditions were established.

Toggle; each output changes to the complement of its previous level on each active transition indicated by ↓.

*; This configuration is nonstable; that is, it will not persist when preset and clear inputs return to their inactive (high) level.

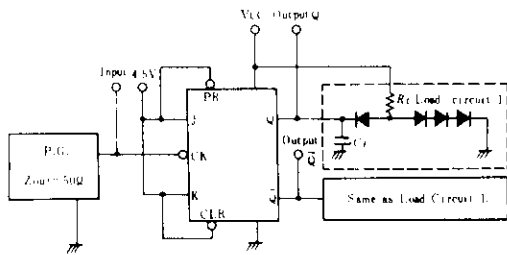
SWITCHING CHARACTERISTICS (V_{CC}=5V, T_a=25°C)

Item	Symbol	Inputs	Outputs	Test Conditions	min	typ	max	Unit
Maximum clock frequency	f _{max}			C _L = 15pF, R _L = 2kΩ	30	45	—	MHz
Propagation delay time	t _{PLH}	Clear Preset Clock	Q, \bar{Q}		—	15	20	ns
	t _{PHL}				—	15	20	ns

TESTING METHOD

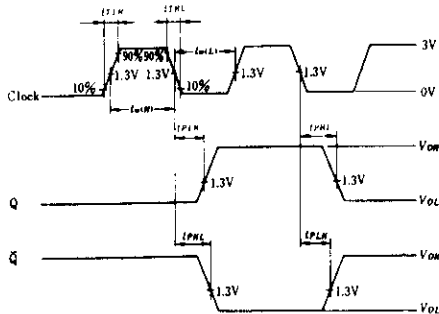
1) Test Circuit

1.1) f_{max}, t_{PLH}, t_{PHL} (Clock→Q, \bar{Q})



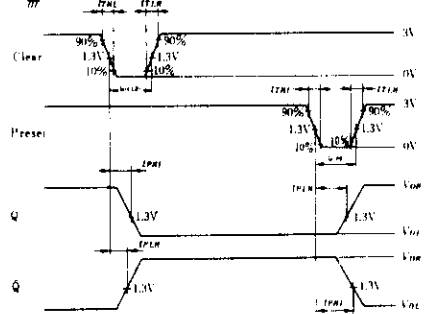
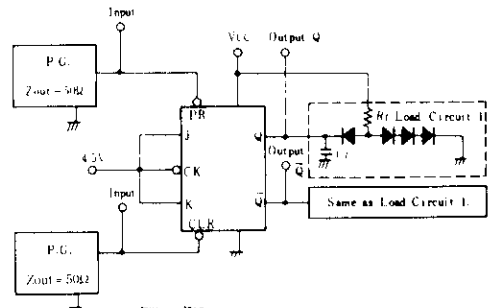
1. Test is put into the each flip-flop
2. All diodes are 1S2074 (D).
3. C_L includes probe and jig capacitance.

Waveform



Note) Clock input pulse; t_{TLH} ≤ 15ns, t_{THL} ≤ 6ns, PRR = 1MHz, duty cycle = 50% and: for f_{max}, t_{TLH} = t_{THL} ≤ 2.5ns.

1.2) t_{PHL}, t_{PLH} (Clear, Preset→Q, \bar{Q})

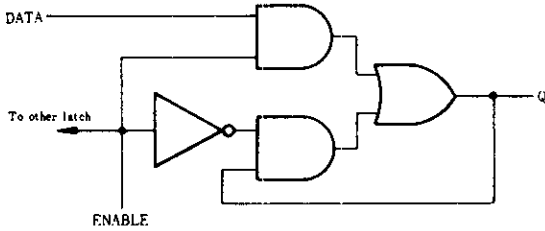


Note) Clear and preset input pulse; t_{TLH} ≤ 15ns, t_{THL} ≤ 6ns, PRR = 1MHz

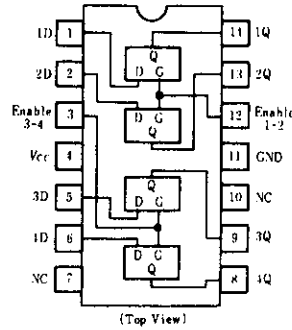
HD74LS77 ● 4-bit Bistable Latches

The HD74LS77 is ideally suited for use as temporary storage for binary information between processing units and input/output or indicator units. Information present at a data(D) input is transferred to the Q output when the enable (G) is high and the Q output will follow the data input as long as the enable remains high. When the enable goes low the information (that was present at the data input at the time the transition occurred) is retained at the Q output until the enable is permitted to go high.

■ BLOCK DIAGRAM



■ PIN ARRANGEMENT



■ FUNCTION TABLE

Inputs		Output
D	G	Q
L	H	L
H	H	H
X	L	Q ₀

Notes) H; high level, L; low level, X; irrelevant
Q₀; level of Q before the indicated steady-state input conditions were established.

■ RECOMMENDED OPERATING CONDITIONS

Item	Symbol	min	typ	max	Unit
Pulse width	t_w	20	—	—	ns
Setup time	t_{su}	20	—	—	ns
Hold time	t_h	5	—	—	ns

■ ELECTRICAL CHARACTERISTICS ($T_a = -20 \sim +75^\circ\text{C}$)

Item	Symbol	Test Conditions	min	typ*	max	Unit	
Input voltage	V_{IH}		2.0	—	—	V	
	V_{IL}		—	—	0.8	V	
Output voltage	V_{OH}	$V_{CC} = 4.75\text{V}, V_{IH} = 2\text{V}, V_{IL} = 0.8\text{V}, I_{OH} = -400\mu\text{A}$	2.7	—	—	V	
	V_{OL}	$V_{CC} = 4.75\text{V}, V_{IH} = 2\text{V}, V_{IL} = 0.8\text{V}$					
		$I_{OL} = 4\text{mA}$	—	—	0.4	V	
		$I_{OL} = 8\text{mA}$	—	—	0.5		
Input current	D	I_{IH}	$V_{CC} = 5.25\text{V}, V_I = 2.7\text{V}$	—	—	20	μA
	G			—	—	80	
	D	I_{IL}	$V_{CC} = 5.25\text{V}, V_I = 0.4\text{V}$	—	—	-0.4	mA
	G			—	—	-1.6	
	D	I_I	$V_{CC} = 5.25\text{V}, V_I = 7\text{V}$	—	—	0.1	mA
G	—			—	0.4		
Short-circuit output current	I_{OS}	$V_{CC} = 5.25\text{V}$	-20	—	-100	mA	
Supply current **	I_{CC}	$V_{CC} = 5.25\text{V}$	—	6.9	13	mA	
Input clamp voltage	V_{IK}	$V_{CC} = 4.75\text{V}, I_{IN} = -18\text{mA}$	—	—	-1.5	V	

* $V_{CC} = 5\text{V}, T_a = 25^\circ\text{C}$

** I_{CC} is measured with all outputs open and all inputs grounded.

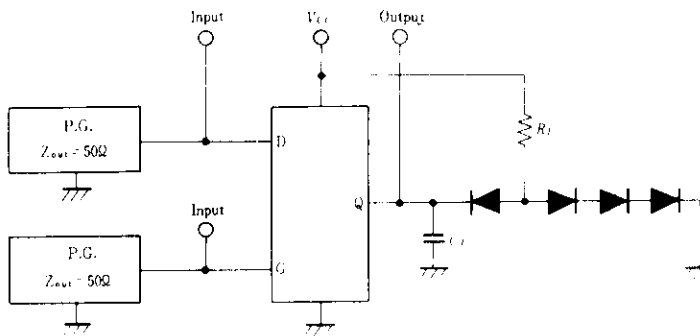
HD74LS77

SWITCHING CHARACTERISTICS ($V_{CC} = 5V$, $T_a = -25^{\circ}C$)

Item	Symbol	Input	Output	Test Conditions	min	typ	max	Unit
Propagation delay time	t_{PLH}	D	Q	$C_L = 15pF$ $R_L = 2k\Omega$	-	11	19	ns
	t_{PHL}	D	Q		9	17		
	t_{PLH}	G	Q		10	18		
	t_{PHL}	G	Q		10	18		

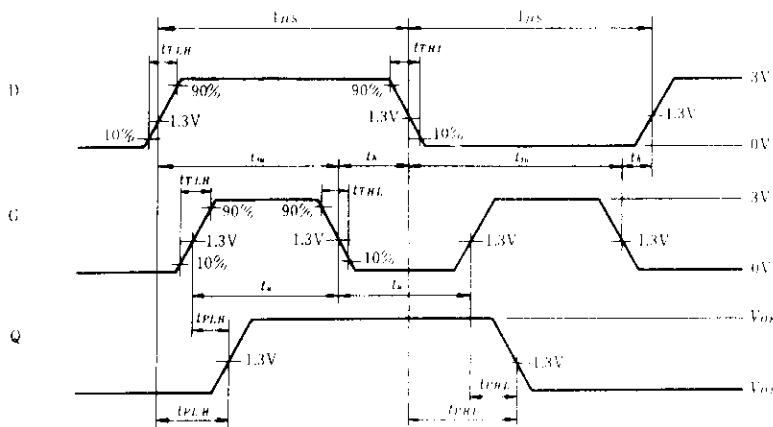
TESTING METHOD

1) Test Circuit



- Notes) 1. Test is put into the each latch
 2. All diodes are 1S2074 (B).
 3. C_L includes probe and jig capacitance.

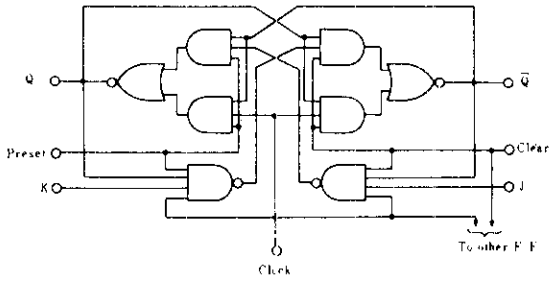
Waveform



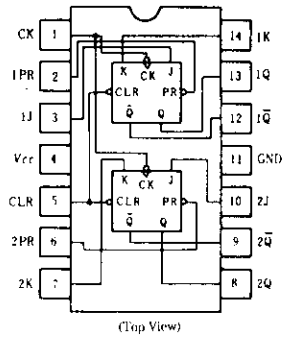
- Notes) 1. Input pulse; $t_{TLH} \leq 15ns$, $t_{THL} \leq 6ns$.
 2. When measuring propagation delay times from the D input, the corresponding G input must be held high.

HD74LS78A ● Dual J-K Flip-Flops (with Preset, Common Clear, and Common Clock)

■ BLOCK DIAGRAM (1/2)



■ PIN ARRANGEMENT

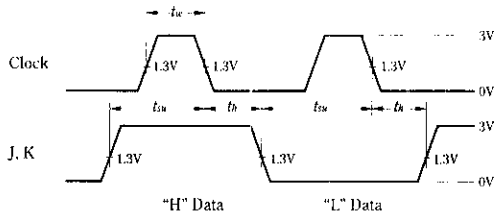


■ RECOMMENDED OPERATING CONDITIONS

Item	Symbol	min	typ	max	Unit
Clock frequency	f_{clock}	0	—	30	MHz
Pulse width	Clock High	20	—	—	ns
	Preset Clear Low	t_w	25	—	—
Setup time	"H" Data	$20\downarrow$	—	—	ns
	"L" Data	t_{su}	20	—	—
Hold time	t_h	$0\downarrow$	—	—	ns

Note) \downarrow : The arrow indicates the falling edge.

■ TIMING METHOD



■ FUNCTION TABLE

Inputs					Outputs	
Preset	Clear	Clock	J	K	Q	\bar{Q}
L	H	X	X	X	H	L
H	L	X	X	X	L	H
L	L	X	X	X	H*	H*
H	H	\downarrow	L	L	Q_0	\bar{Q}_0
H	H	\downarrow	H	L	H	L
H	H	\downarrow	L	H	L	H
H	H	\downarrow	H	H	Toggle	
H	H	H	X	X	Q_0	\bar{Q}_0

Notes) H; high level, L; low level, X; irrelevant

\downarrow ; transition from high to low level

Q_0 ; level of Q before the indicated steady-state input conditions were established.

\bar{Q}_0 ; complement of Q_0 or level of \bar{Q} before the indicated steady-state input conditions were established.

Toggle; each output changes to the complement of its previous level on each active transition indicated by \downarrow .

*; This configuration is nonstable; that is, it will not persist when preset and clear inputs return to their inactive (high) level.

■ ELECTRICAL CHARACTERISTICS ($T_a = -20 \sim +75^\circ\text{C}$)

Item	Symbol	Test Conditions	min	typ*	max	Unit	
Input voltage	V_{IH}		2.0	—	—	V	
	V_{IL}		—	—	0.8	V	
Output voltage	V_{OH}	$V_{CC} = 4.75\text{V}, V_{IH} = 2.7\text{V}, V_{IL} = 0.8\text{V}, I_{OH} = -400\mu\text{A}$	2.7	—	—	V	
	V_{OL}	$V_{CC} = 4.75\text{V}, V_{IH} = 2\text{V}$	—	—	0.5	V	
		$V_{IL} = 0.8\text{V}$	—	—	0.4		
Input current	J, K	I_{IH}	$V_{CC} = 5.25\text{V}, V_I = 2.7\text{V}$	—	—	20	μA
	Clear			—	—	120	
	Preset			—	—	60	
	Clock			—	—	160	
	J, K	I_{IL}^{**}	$V_{CC} = 5.25\text{V}, V_I = 0.4\text{V}$	—	—	-0.4	mA
	Clear			—	—	-1.6	
	Preset			—	—	-0.8	
	Clock			—	—	-1.6	
J, K	I_I	$V_{CC} = 5.25\text{V}, V_I = 7\text{V}$	—	—	0.1	mA	
Clear			—	—	0.6		
Preset			—	—	0.3		
Clock			—	—	0.8		
Short circuit output current	I_{OS}	$V_{CC} = 5.25\text{V}$	-20	—	-100	mA	
Supply current ***	I_{CC}	$V_{CC} = 5.25\text{V}$	—	4	6	mA	
Input clamp voltage	V_{IK}	$V_{CC} = 4.75\text{V}, I_{IN} = -18\text{mA}$	—	—	-1.5	V	

* $V_{CC} = 5\text{V}, T_a = 25^\circ\text{C}$

** I_{IL} should not be measured when preset and clear inputs are low at same time.

*** With all outputs open, I_{CC} is measured with the Q and \bar{Q} outputs high in turn. At the time of measurement, the clock input is grounded.

HD74LS78A

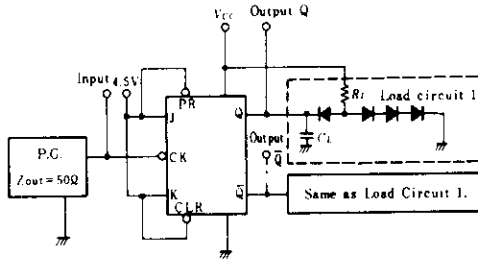
■ SWITCHING CHARACTERISTICS ($V_{CC}=5V$, $T_a=25^\circ C$)

Item	Symbol	Inputs	Outputs	Test Conditions	min	typ	max	Unit
Maximum clock frequency	f_{max}			$C_L = 15pF$, $R_L = 2k\Omega$	30	45		MHz
Propagation delay time	t_{PLH}	Clear	Q, \bar{Q}		-	15	20	ns
	t_{PHL}	Preset			-	15	20	ns

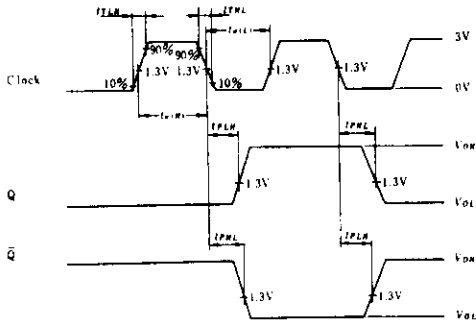
■ TESTING METHOD

1) Test Circuit

1.1) f_{max} , t_{PLH} , t_{PHL} (Clock \rightarrow Q, \bar{Q})

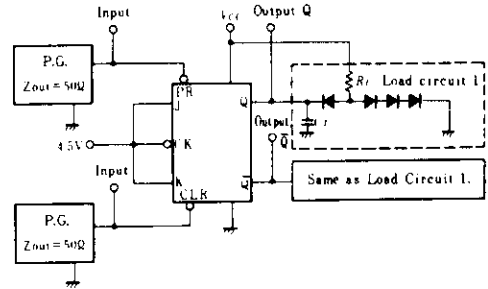


- Notes) 1. Test is put into the each flip-flop
 2. All diodes are 1S2074 (⊕).
 3. C_L includes probe and jig capacitance.

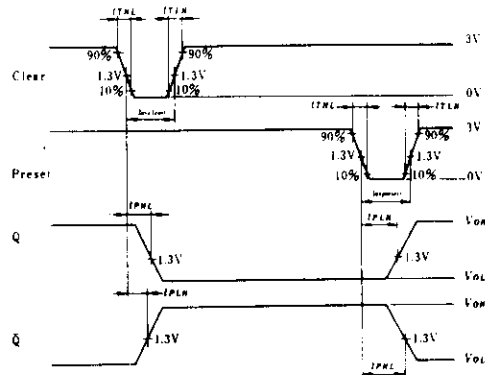


Note) Clock input pulse; $t_{TLH} \leq 15ns$, $t_{THL} \leq 6ns$,
 $PRR=1MHz$, duty cycle=50% and: for f_{max} ,
 $t_{TLH}=t_{THL} \leq 2.5ns$.

1.2) t_{PHL} , t_{PLH} (Clear, Preset \rightarrow Q, \bar{Q})



- Notes) 1. Test is put into the each flip-flop
 2. All diodes are 1S2074 (⊕).
 3. C_L includes probe and jig capacitance.



Note) Clear and preset input pulse; $t_{TLH} \leq 15ns$,
 $t_{THL} \leq 6ns$, $PRR=1MHz$

HD74LS83A • 4-Bit Binary Full Adders (with Fast Carry)

This improved full adder performs the addition of two 4-bit binary numbers. The sum (Σ) outputs are provided for each bit and the resultant carry (C_4) is obtained from the fourth bit. This adder features full internal look ahead across all four bit generating the carry term in ten nanoseconds typically. This provides the system designer with partial look-ahead performance at the economy and reduced package count of a ripple-carry implementation.

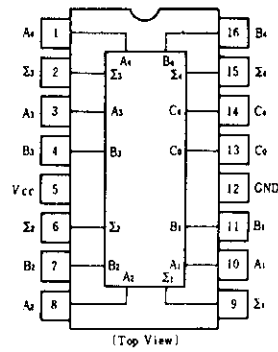
FUNCTION TABLE

Inputs				Outputs					
				When $C_0 = L$		When $C_2 = L$		When $C_0 = H$	
A_1	B_1	A_2	B_2	Σ_1	Σ_2	C_2	Σ_3	Σ_4	C_4
L	L	L	L	L	L	L	H	L	L
H	L	L	L	H	L	L	L	H	L
L	H	L	L	H	L	L	L	H	L
H	H	L	L	L	H	L	H	H	L
L	L	H	L	L	H	L	H	H	L
H	L	H	L	H	H	L	L	L	H
L	H	H	L	H	H	L	L	L	H
H	H	H	L	L	L	H	H	L	H
L	L	L	H	L	H	L	H	H	L
H	L	L	H	H	H	L	L	L	H
L	H	L	H	H	H	L	L	L	H
H	H	L	H	L	L	H	H	L	H
L	L	H	H	L	L	H	H	L	H
H	L	H	H	H	L	H	L	H	H
L	H	H	H	H	L	H	L	H	H
H	H	H	H	L	H	H	H	H	H

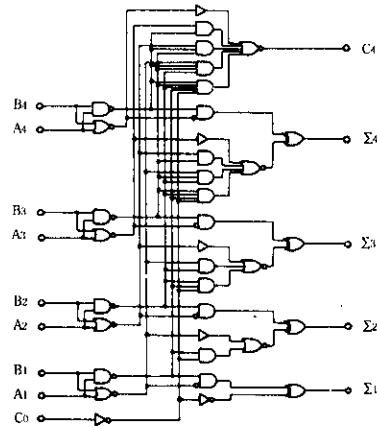
H; high level, L; low level, X; irrelevant

Note) Input conditions at $A_1, B_1, A_2, B_2,$ and C_0 are used to determine outputs Σ_1 and Σ_2 and the value of the internal carry C_2 . The value at $C_2, A_3, B_3, A_4,$ and B_4 are than used to determine outputs Σ_3, Σ_4 and C_4 .

PIN ARRANGEMENT



BLOCK DIAGRAM



HD74LS83A

■ ELECTRICAL CHARACTERISTICS ($T_a = -20 \sim +75^\circ\text{C}$)

Item	Symbol	Test Conditions	min	typ*	max	Unit	
Input voltage	V_{IH}		2.0		—	V	
	V_{IL}		—		0.8	V	
Output voltage	V_{OH}	$V_{CC} = 4.75\text{V}$, $V_{IH} = 2\text{V}$, $V_{IL} = 0.8\text{V}$, $I_{OH} = -400\mu\text{A}$	2.7		—	V	
	V_{OL}	$V_{CC} = 4.75\text{V}$, $V_{IH} = 2\text{V}$ $V_{IL} = 0.8\text{V}$			0.4 0.5	V	
Input current	except C0	I_{IH}	$V_{CC} = 5.25\text{V}$, $V_i = 2.7\text{V}$		40	μA	
	C0				20		
	except C0	I_{IL}	$V_{CC} = 5.25\text{V}$, $V_i = 0.4\text{V}$		-0.8	mA	
	C0				0.4		
except C0	I_I	$V_{CC} = 5.25\text{V}$, $V_i = 7\text{V}$		0.2	mA		
C0				0.1			
Short circuit output current	I_{OS}	$V_{CC} = 5.25\text{V}$	-20		-100	mA	
Supply current	I_{CC}	$V_{CC} = 5.25\text{V}$	All inputs = 0V		22	39	mA
			B input 0.8V, Other inputs 4.5V		19	34	
			All inputs 4.5V		19	34	
Input clamp voltage	V_{IK}	$V_{CC} = 4.75\text{V}$, $I_{IS} = -18\text{mA}$	—		-1.5	V	

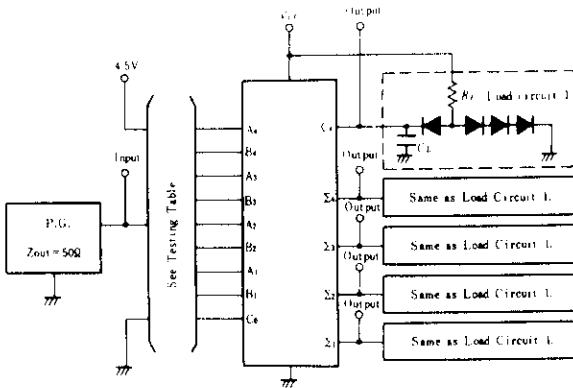
* $V_{CC} = 5\text{V}$, $T_a = 25^\circ\text{C}$

■ SWITCHING CHARACTERISTICS ($V_{CC} = 5\text{V}$, $T_a = 25^\circ\text{C}$)

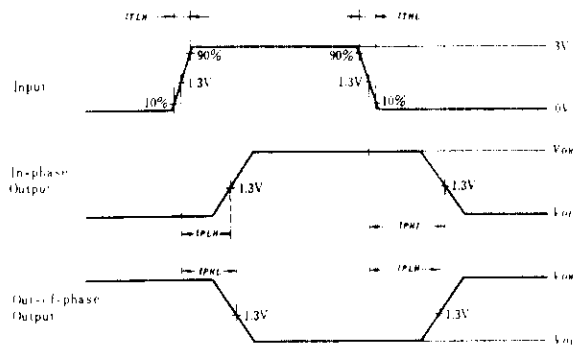
Item	Symbol	Inputs	Outputs	Test Conditions	min	typ	max	Unit
Propagation delay time	t_{PLH}	C _i	Σ	$C_L = 15\text{pF}$, $R_L = 2\text{k}\Omega$		16	24	ns
	t_{PHL}					15	24	ns
	t_{PLH}	A _i , B _i	Σ			15	24	ns
	t_{PHL}					15	24	ns
	t_{PLH}	C _i	C _o			11	17	ns
	t_{PHL}					15	22	ns
t_{PLH}	A _i , B _i	C _o		11	17	ns		
t_{PHL}				12	17	ns		

■ TESTING METHOD

1) Test Circuit



Waveform



- Notes) 1. Input pulse: $t_{PLH} \leq 15\text{ns}$, $t_{PHL} \leq 6\text{ns}$,
 $PRR = 1\text{MHz}$, duty cycle = 50%
 2. C_L includes probe and jig capacitance.
 3. All diodes are 1S2074 (H).

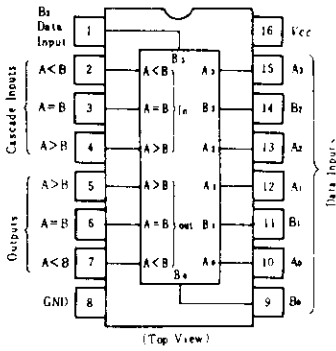
2) Testing Table

Item	From input to output	Inputs									Outputs						
		B ₄	A ₄	B ₃	A ₃	B ₂	A ₂	B ₁	A ₁	C ₀	C ₄	Σ ₄	Σ ₃	Σ ₂	Σ ₁		
<i>t_{PLH}</i> <i>t_{PHL}</i>	C ₀ →Σ ₄ or C ₄	GND	GND	GND	GND	GND	GND	GND	GND	GND	IN	---	---	---	---	OUT	
		GND	4.5V	GND	4.5V	GND	4.5V	GND	4.5V	GND	4.5V	IN	OUT	OUT	OUT	OUT	OUT
	A _i or B _i →Σ _i or C ₄	GND	GND	GND	GND	GND	GND	GND	GND	IN	GND	---	---	---	---	OUT	
									IN	GND							
		GND	GND	GND	GND	GND	GND	GND	GND	GND	IN	GND	---	---	---	OUT	---
										IN	GND						
		GND	GND	GND	IN	GND	GND	GND	GND	GND	GND	GND	---	---	OUT	---	---
		GND	IN	GND	GND	GND	GND	GND	GND	GND	GND	GND	---	OUT	---	---	---
		GND	GND	GND	GND	GND	GND	GND	GND	4.5V	IN	GND	---	---	---	OUT	OUT
										IN	4.5V						
		GND	GND	GND	GND	4.5V	IN	GND	GND	GND	GND	GND	---	---	OUT	OUT	---
4.5V	IN	GND	GND	GND	GND	GND	GND	GND	GND	GND	---	OUT	OUT	---	---		
																IN	4.5V

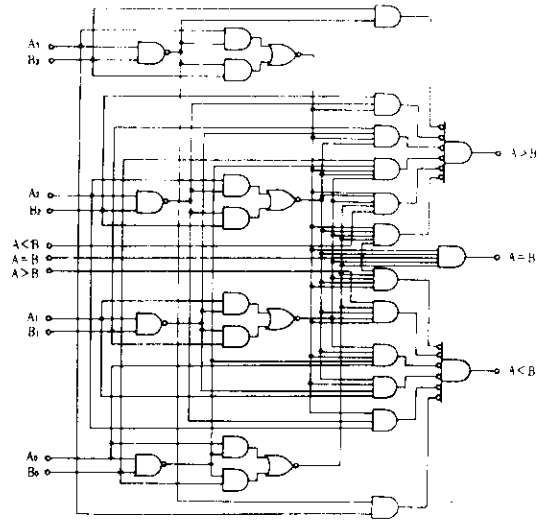
HD74LS85 • 4-bit Magnitude Comparators

This four bit magnitude comparator performs comparison of straight binary and straight BCD (8-4-2-1) codes. Three fully decoded decisions about two 4-bit words (A, B) are made and are externally available at three outputs. This device is fully expandable to any number of bits without external gates. Words of greater length may be compared by connecting comparators in cascade. The $A > B$, $A < B$, and $A = B$ outputs of a stage handling less-significant bits. The stage handling the least-significant bits must have a high-level voltage applied to the $A=B$ input. The cascading path is implemented with only a two-gate-level delay to reduce overall comparison times for long words.

■ PIN ARRANGEMENT



■ BLOCK DIAGRAM



■ FUNCTION TABLE

Inputs				Cascading inputs			Outputs		
A_3, B_3	A_2, B_2	A_1, B_1	A_0, B_0	$A < B$	$A < B$	$A = B$	$A > B$	$A < B$	$A = B$
$A_3 > B_3$	X	X	X	X	X	X	H	L	L
$A_3 < B_3$	X	X	X	X	X	X	L	H	L
$A_3 = B_3$	$A_2 > B_2$	X	X	X	X	X	H	L	L
$A_3 = B_3$	$A_2 < B_2$	X	X	X	X	X	L	H	L
$A_3 = B_3$	$A_2 = B_2$	$A_1 > B_1$	X	X	X	X	H	L	L
$A_3 = B_3$	$A_2 = B_2$	$A_1 < B_1$	X	X	X	X	L	H	L
$A_3 = B_3$	$A_2 = B_2$	$A_1 = B_1$	$A_0 > B_0$	X	X	X	H	L	L
$A_3 = B_3$	$A_2 = B_2$	$A_1 = B_1$	$A_0 < B_0$	X	X	X	L	H	L
$A_3 = B_3$	$A_2 = B_2$	$A_1 = B_1$	$A_0 = B_0$	H	L	L	H	L	L
$A_3 = B_3$	$A_2 = B_2$	$A_1 = B_1$	$A_0 = B_0$	L	H	L	L	H	L
$A_3 = B_3$	$A_2 = B_2$	$A_1 = B_1$	$A_0 = B_0$	X	X	H	L	L	H
$A_3 = B_3$	$A_2 = B_2$	$A_1 = B_1$	$A_0 = B_0$	H	H	L	L	L	L
$A_3 = B_3$	$A_2 = B_2$	$A_1 = B_1$	$A_0 = B_0$	L	L	L	H	H	L

H: high level, L: low level, X: irrelevant

■ ELECTRICAL CHARACTERISTICS ($T_a = -20 \sim +75^\circ\text{C}$)

Item		Symbol	Test Conditions	min	typ*	max	Unit
Input voltage		V_{IH}		2.0	—	—	V
		V_{IL}		—	—	0.8	V
Output voltage		V_{OH}	$V_{CC} = 4.75\text{V}$, $V_{IH} = 2\text{V}$, $V_{IL} = 0.8\text{V}$, $I_{OH} = -400\mu\text{A}$	2.7	—	—	V
		V_{OL}	$V_{CC} = 4.75\text{V}$, $V_{IH} = 2\text{V}$ $V_{IL} = 0.8\text{V}$	$I_{OL} = 4\text{mA}$	—	—	0.4
$I_{OL} = 8\text{mA}$	—			—	0.5		
Input current	A < B, A > B Inputs	I_{IH}	$V_{CC} = 5.25\text{V}$, $V_I = 2.7\text{V}$	—	—	20	μA
	Other inputs			—	—	60	
	A < B, A > B Inputs	I_{IL}	$V_{CC} = 5.25\text{V}$, $V_I = 0.4\text{V}$	—	—	-0.4	mA
	Other inputs			—	—	-1.2	
	A < B, A > B Inputs	I_I	$V_{CC} = 5.25\text{V}$, $V_I = 7\text{V}$	—	—	0.1	mA
	Other inputs			—	—	0.3	
Short-circuit output current		I_{OS}	$V_{CC} = 5.25\text{V}$	-20	—	-100	mA
Supply current **		I_{CC}	$V_{CC} = 5.25\text{V}$	—	10.4	20	mA
Input clamp voltage		V_{IK}	$V_{CC} = 4.75\text{V}$, $I_{IN} = -18\text{mA}$	—	—	-1.5	V

* $V_{CC} = 5\text{V}$, $T_a = 25^\circ\text{C}$

** I_{CC} is measured with outputs open, A=B grounded, and all other inputs at 4.5V.

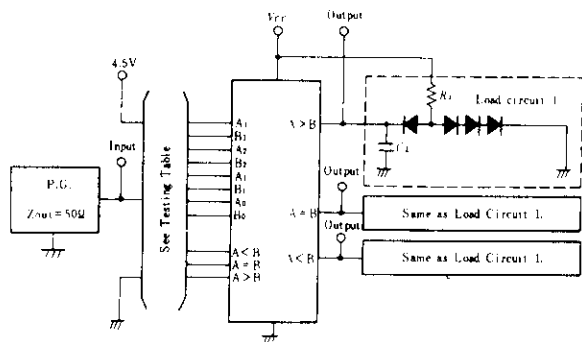
■ SWITCHING CHARACTERISTICS ($V_{CC} = 5\text{V}$, $T_a = 25^\circ\text{C}$)

Item	Symbol	Inputs	Outputs	Number of gate levels	Test Conditions	min	typ	max	Unit
Propagation delay time	t_{PLH}	Any A or B data Input	A < B, A > B	1	$C_L = 15\text{pF}$, $R_L = 2\text{k}\Omega$	—	14	—	ns
				2		—	19	—	
			3	—		24	36		
			4	—		27	45		
	t_{PHL}	Any A or B data Input	A < B, A > B	1		—	11	—	ns
				2		—	15	—	
			3	—		20	30		
			4	—		23	45		
	t_{PLH}	A < B or A = B	A > B	1		—	14	22	ns
	t_{PHL}	A < B or A = B	A > B	1		—	11	17	ns
	t_{PLH}	A = B	A = B	2		—	13	20	ns
	t_{PHL}	A = B	A = B	2		—	13	26	ns
	t_{PLH}	A > B or A = B	A < B	1		—	14	22	ns
	t_{PHL}	A > B or A = B	A < B	1		—	11	17	ns

HD74LS85

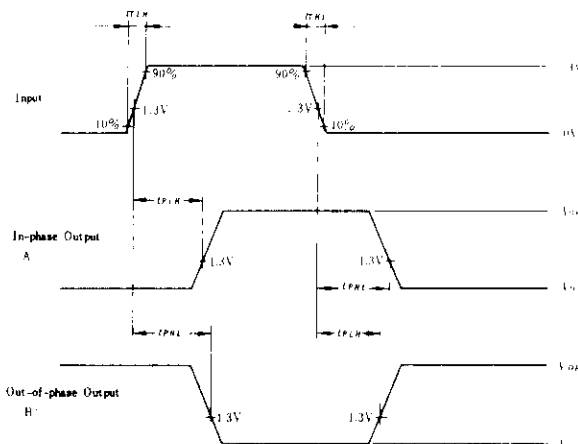
TESTING METHOD

1) Test Circuit



- Notes) 1. Input pulse; $t_{TLH} \leq 15\text{ns}$, $t_{THL} \leq 6\text{ns}$, $PRR=1\text{MHz}$, duty cycle=50%
 2. C_L includes probe and jig capacitance.
 3. All diodes are 1S2074 $\text{\textcircled{H}}$.

Waveform

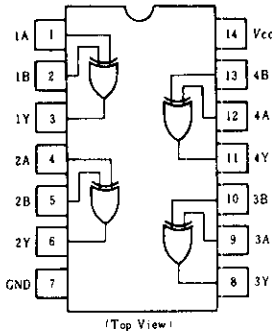


2) Testing Table

Item	Inputs												Output Waveforms		
	A ₃	B ₃	A ₂	B ₂	A ₁	B ₁	A ₀	B ₀	A > B	A = B	A < B	A > B	A = B	A < B	
t _{PLH} t _{PHL}	IN	4.5V	4.5V	GND	GND	GND	GND	GND	GND	GND	GND	A		B	
	4.5V	IN	GND	4.5V	GND	GND	GND	GND	GND	GND	GND	B		A	
	GND	GND	IN	4.5V	4.5V	GND	GND	GND	GND	GND	GND	A		B	
	GND	GND	4.5V	IN	GND	4.5V	GND	GND	GND	GND	GND	B		A	
	GND	GND	GND	GND	IN	4.5V	4.5V	GND	GND	GND	GND	A		B	
	GND	GND	GND	GND	4.5V	IN	GND	4.5V	GND	GND	GND	B		A	
	GND	GND	GND	GND	GND	GND	IN	4.5V	4.5V	GND	GND	A		B	
	GND	GND	GND	GND	GND	GND	4.5V	IN	GND	GND	4.5V	B		A	
	GND	GND	GND	GND	GND	GND	IN	4.5V	GND	4.5V	GND		A	B	
	GND	GND	GND	GND	GND	GND	4.5V	IN	GND	4.5V	GND	B	A		
	GND	GND	GND	GND	GND	GND	GND	GND	IN	GND	GND			B	
	GND	GND	GND	GND	GND	GND	GND	GND	GND	IN	GND	B	A	B	

HD74LS86 • Quadruple 2-input Exclusive-OR Gates

■ PIN ARRANGEMENT



■ FUNCTION TABLE

Inputs		Output
A	B	Y
L	L	L
L	H	H
H	L	H
H	H	L

H; high level, L; low level

■ ELECTRICAL CHARACTERISTICS ($T_a = -20 \sim +75^\circ\text{C}$)

Item	Symbol	Test Conditions	min	typ*	max	Unit	
Input voltage	V_{IH}		2.0	—	—	V	
	V_{IL}		—	—	0.8	V	
Output voltage	V_{OH}	$V_{CC} = 4.75\text{V}$, $V_{IH} = 2\text{V}$, $V_{IL} = 0.8\text{V}$, $I_{OH} = -400\mu\text{A}$	2.7	—	—	V	
	V_{OL}	$V_{OL} = 4.75\text{V}$, $V_{IH} = 2\text{V}$, $V_{IL} = 0.8\text{V}$	$I_{OL} = 4\text{mA}$	—	—	0.4	V
			$I_{OL} = 8\text{mA}$	—	—	0.5	
Input current	I_I	$V_{CC} = 5.25\text{V}$, $V_I = 7\text{V}$	—	—	0.2	mA	
	I_{IH}	$V_{CC} = 5.25\text{V}$, $V_I = 2.7\text{V}$	—	—	40	μA	
	I_{IL}	$V_{CC} = 5.25\text{V}$, $V_I = 0.4\text{V}$	—	—	-0.8	mA	
Short-circuit output current	I_{OS}	$V_{CC} = 5.25\text{V}$	-20	—	-100	mA	
Supply current **	I_{CC}	$V_{CC} = 5.25\text{V}$	—	6.1	10	mA	
Input clamp voltage	V_{IK}	$V_{CC} = 4.75\text{V}$, $I_{IN} = -18\text{mA}$	—	—	-1.5	V	

* $V_{CC} = 5\text{V}$, $T_a = 25^\circ\text{C}$

** I_{CC} is measured with all outputs open and all inputs grounded.

■ SWITCHING CHARACTERISTICS ($V_{CC} = 5\text{V}$, $T_a = 25^\circ\text{C}$)

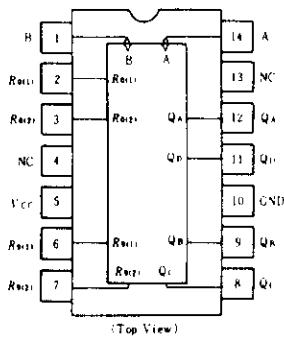
Item	Symbol	Inputs	Test Conditions	min	typ	max	Unit	
Propagation delay time	t_{PLH}	A or B	$C_L = 15\text{pF}$, $R_L = 2\text{k}\Omega$	Other inputs = 0V	—	12	23	ns
	t_{PHL}				—	10	17	ns
	t_{PLH}	A or B		Other inputs = 4.5V	—	20	30	ns
	t_{PHL}				—	13	22	ns

Note) Refer to Test Circuit and Waveform of the Common Item

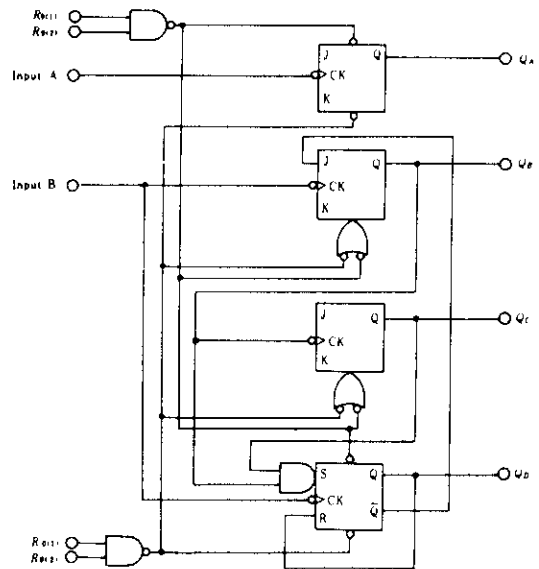
HD74LS90 • Decade Counters

The HD74LS90 contains four master-slave flip-flops and additional gating to provide a divide-by-two counter and three-stage binary counter for divide-by-five. This device has a gated zero reset and also has gated set-to-nine inputs for use in BCD nine's complement applications. To use this maximum count length of this counter the B input is connected to the Q_A output. The input count pulses are applied to input A and the outputs are described in the appropriate function table. A symmetrical divide-by-ten count can be obtained from HD74LS90 counter by connecting the Q_D output to the A input and applying the input count to the B input which gives a divide-by-ten square wave at output Q_A .

■ PIN ARRANGEMENT



■ BLOCK DIAGRAM



■ ABSOLUTE MAXIMUM RATINGS

Item	Symbol	Ratings	Unit
Supply voltage	V_{CC}	7.0	V
Input voltage	R Inputs	7.0	V
	A, B Inputs	5.5	V
Operating temperature range	T_{opr}	-20 ~ +75	°C
Storage temperature range	T_{stg}	-65 ~ +150	°C

■ FUNCTION TABLE

Reset/Count Function Table

Reset Inputs				Outputs			
$R_{0(1)}$	$R_{0(2)}$	$R_{9(1)}$	$R_{9(2)}$	Q_D	Q_C	Q_B	Q_A
H	H	L	X	L	L	L	L
H	H	X	L	L	L	L	L
X	X	H	H	H	L	L	H
X	L	X	L	Count			
L	X	L	X	Count			
L	X	X	L	Count			
X	L	L	X	Count			

BCD Count Sequence(Notes1)

Count	Outputs			
	Q_D	Q_C	Q_B	Q_A
0	L	L	L	L
1	L	L	L	H
2	L	L	H	L
3	L	L	H	H
4	L	H	L	L
5	L	H	L	H
6	L	H	H	L
7	L	H	H	H
8	H	L	L	L
9	H	L	L	H

Bi-Quinary Count Sequence(Notes2)

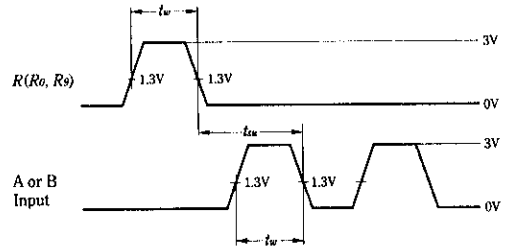
Count	Outputs			
	Q_A	Q_D	Q_C	Q_B
0	L	L	L	L
1	L	L	L	H
2	L	L	H	L
3	L	L	H	H
4	L	H	L	L
5	H	L	L	L
6	H	L	L	H
7	H	L	H	L
8	H	L	H	H
9	H	H	L	L

- Notes)1. Output Q_A is connected to input B for BCD count.
 2. Output Q_D is connected to input A for Bi-quinary count.
 3. H; high level, L; low level, X; irrelevant.

RECOMMENDED OPERATING CONDITIONS

TIMING DEFINITION

Item	Symbol	min	typ	max	Unit
Count frequency	A input	0	—	32	MHz
	B input	0	—	16	
Pulse width	A input	15	—	—	ns
	B input	30	—	—	
	Reset inputs	15	—	—	
Setup time	t_{su}	25	—	—	ns



ELECTRICAL CHARACTERISTICS (Ta = -20 ~ +75°C)

Item	Symbol	Test Conditions	min	typ*	max	Unit	
Input voltage	V_{IH}		2.0	—	—	V	
	V_{IL}		—	—	0.8	V	
Output voltage	V_{OH}	$V_{CC}=4.75V, V_{IH}=2V, V_{IL}=0.8V, I_{OH}=-400\mu A$	2.7	—	—	V	
	V_{OL}	$V_{CC}=4.75V, V_{IH}=2V, V_{IL}=0.8V$	—	—	0.4	V	
					0.5		
Input current	Any Reset	I_{IL}	$V_{CC}=5.25V, V_I=0.4V$	—	—	-0.4	mA
	A input			—	—	-2.4	
	B input			—	—	-3.2	
	Any Reset	I_{IH}	$V_{CC}=5.25V, V_I=2.7V$	—	—	20	μA
	A input			—	—	40	
	B input			—	—	80	
Any Reset	I_I	$V_{CC}=5.25V$	$V_I=7V$	—	—	0.1	mA
A input			$V_I=5.5V$	—	—	0.2	
B input				—	—	0.4	
Short-circuit output current	I_{OS}	$V_{CC}=5.25V$	-20	—	-100	mA	
Supply current ***	I_{CC}	$V_{CC}=5.25V$	—	9	15	mA	
Input clamp voltage	V_{IK}	$V_{CC}=4.75V, I_{IN}=-18mA$	—	—	-1.5	V	

* $V_{CC}=5V, T_a=25^\circ C$

** Q_A output is tested at specified I_{OL} plus the limit value of I_{IL} for the B input. This permits driving the B input while maintaining full fan out capability.

*** I_{CC} is measured with all outputs open, both R_0 inputs grounded following momentary connection to 4.5V, and all other inputs grounded.

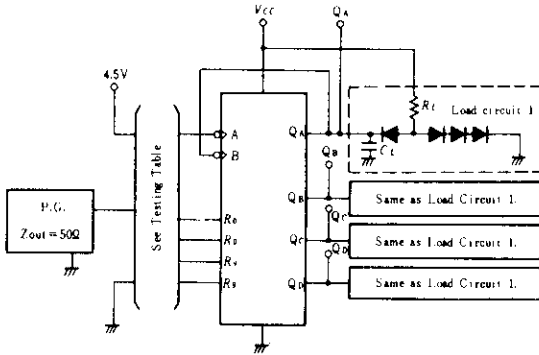
SWITCHING CHARACTERISTICS (VCC=5V, Ta=25°C)

Item	Symbol	Inputs	Outputs	Test Conditions	min	typ	max	Unit
Maximum count frequency	f_{max}	A	Q_A	$C_L=15pF,$ $R_L=2k\Omega$	32	42	—	MHz
		B	Q_B		16	—	—	
Propagation delay time	t_{PLH}	A	Q_A		—	10	16	ns
			Q_D		—	12	18	
	t_{PHL}	A	Q_A		—	32	48	ns
			Q_D		—	34	50	
	t_{PLH}	B	Q_B		—	10	16	ns
			Q_C		—	14	21	
	t_{PHL}	B	Q_C		—	21	32	ns
			Q_D		—	23	35	
	t_{PLH}	B	Q_D	—	21	32	ns	
			Q_C	—	23	35		
t_{PHL}	Set-to-0	$Q_A \sim Q_D$	—	26	40	ns		
		Q_A, Q_D	—	20	30			
t_{PHL}	Set-to-9	Q_B, Q_C	—	26	40	ns		
			—	26	40			

HD74LS90

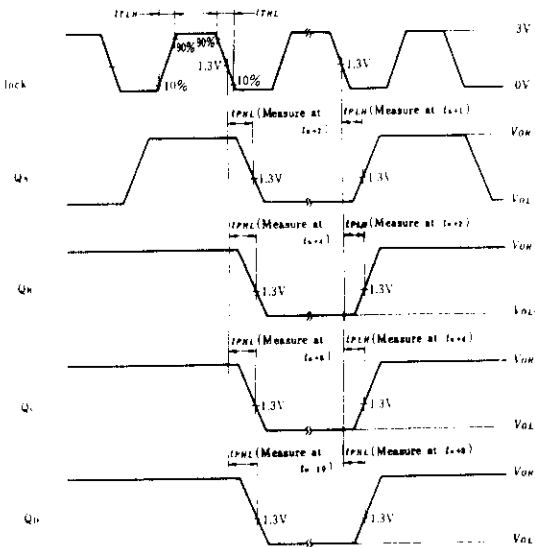
TESTING METHOD

1) Test Circuit



- Notes) 1. Input pulse: $t_{TLH} \leq 15\text{ns}$, $t_{THL} \leq 6\text{ns}$, $PRR=1\text{MHz}$, duty cycle=50%
 2. C_L includes probe and jig capacitance.
 3. All diodes are 1S2074 $\text{\textcircled{R}}$.

Waveform-1 f_{max} , t_{PLH} , t_{PHL} (Clock→Q)



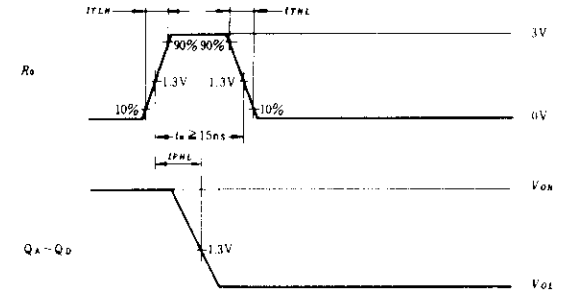
- Notes) 1. Input pulse; $t_{TLH} \leq 15\text{ns}$, $t_{THL} \leq 5\text{ns}$, $PRR=1\text{MHz}$, duty cycle=50% and: for f_{max} , $t_{TLH}=t_{THL} \leq 2.5\text{ns}$.
 2. t_n is reference bit time when all outputs are low.

2) Testing Table

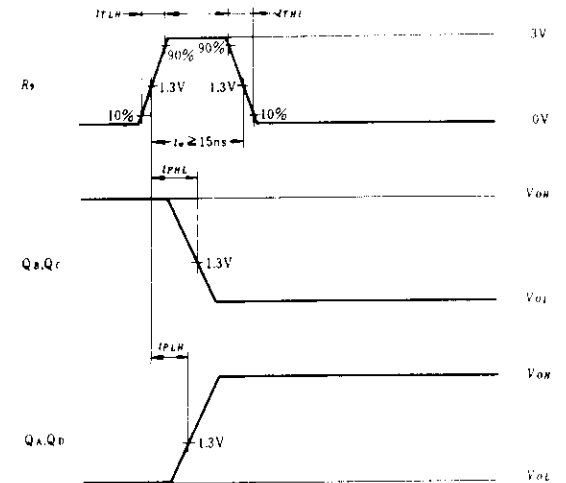
Item	From input to output	Inputs			Outputs				
		A	B	R_0	R_9	Q_A	Q_B	Q_C	Q_D
f_{max}	A→Q	IN	to Q_A	GND	GND	Out	Out	Out	Out
	B→Q	4.5V	IN	GND	GND	—	Out	Out	Out
t_{PLH}	A→ Q_A	IN	to Q_A	GND	GND	Out	—	—	—
	A→ Q_D	IN	to Q_A	GND	GND	—	—	—	Out
t_{PHL}	B→ Q_B	4.5V	IN	GND	GND	—	Out	—	—
	B→ Q_C	4.5V	IN	GND	GND	—	—	Out	—
t_{PHL}	B→ Q_D	4.5V	IN	GND	GND	—	—	—	Out
	$R_0^0 \rightarrow Q$	IN*	to Q_A	IN	GND	Out	Out	Out	Out
	$R_9^1 \rightarrow Q$	IN*	to Q_A	GND	IN	Out	Out	Out	Out

- *; For initialized
 **; Measured with each input and unused inputs at 4.5V.

Waveform-2 t_{PHL} ($R_0 \rightarrow Q$)



Waveform-3 t_{PLH} , t_{PHL} ($R_9 \rightarrow Q$)

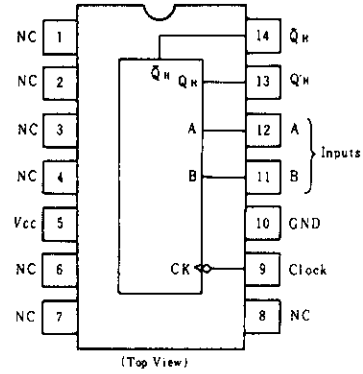


- Notes) 1. $t_{TLH} \leq 15\text{ns}$, $t_{THL} \leq 5\text{ns}$.

HD74LS91 ● 8-bit Shift Registers

This serial-in, serial-out, 8-bit shift register is composed of eight R-S master-slave flip-flops, input gating, and a clock drive. Single-rail data and input control are gated through inputs A and B and an internal inverter to form the complementary inputs to the first bit of the shift register. Drive for the internal common clock line is provided by an inverting clock driver. This clock pulse inverter/driver causes these circuits to shift information one bit on the positive edge of an input clock pulse.

■ PIN ARRANGEMENT



■ FUNCTION TABLE

Inputs		Outputs	
t_n		t_{n+8}	
A	B	Q_H	\bar{Q}_H
H	H	H	L
L	X	L	H
X	L	L	H

Notes) H; high level, L; low level, X; irrelevant

t_n ; Reference bit time, clock low

t_{n+8} ; Bit time after 8 low-to-high clock transitions.

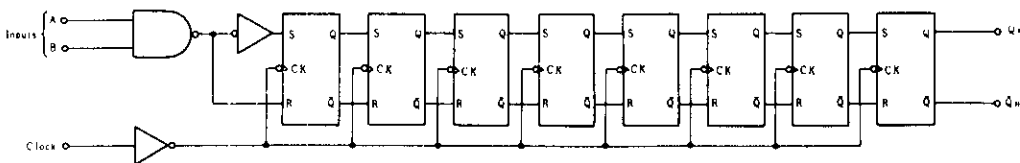
■ RECOMMENDED OPERATING CONDITIONS

Item	Symbol	min	max	Unit
Clock pulse width	t_w	25	—	ns
Setup time	t_{su}	25	—	ns
Hold time	t_h	5	—	ns

■ TIMING CHART



■ BLOCK DIAGRAM



HD74LS91

■ ELECTRICAL CHARACTERISTICS ($T_a = -20 \sim +75^\circ\text{C}$)

Item	Symbol	Test Conditions	min	typ*	max	Unit
Input voltage	V_{IH}		2.0		—	V
	V_{IL}		—		0.8	V
Output voltage	V_{OH}	$V_{CC} = 4.75\text{V}$, $V_{IH} = 2\text{V}$, $V_{IL} = 0.8\text{V}$, $I_{OH} = -400\mu\text{A}$	2.7		—	V
	V_{OL}	$V_{CC} = 4.75\text{V}$, $V_{IH} = 2\text{V}$, $I_{OL} = 4\text{mA}$	—		0.4	V
		$V_{IL} = 0.8\text{V}$, $I_{OL} = 8\text{mA}$	—		0.5	V
Input current	I_{IH}	$V_{CC} = 5.25\text{V}$, $V_I = 2.7\text{V}$	—		20	μA
	I_{IL}	$V_{CC} = 5.25\text{V}$, $V_I = 0.4\text{V}$	—		0.4	mA
	I_I	$V_{CC} = 5.25\text{V}$, $V_I = 7\text{V}$	—		0.1	mA
Short circuit output current	I_{OS}	$V_{CC} = 5.25\text{V}$	-20		-100	mA
Supply current	I_{CC}^{**}	$V_{CC} = 5.25\text{V}$	—	12	20	mA
Input clamp voltage	V_{IK}	$V_{CC} = 4.75\text{V}$, $I_{IS} = 18\text{mA}$	—		-1.5	V

* $V_{CC} = 5\text{V}$, $T_a = 25^\circ\text{C}$

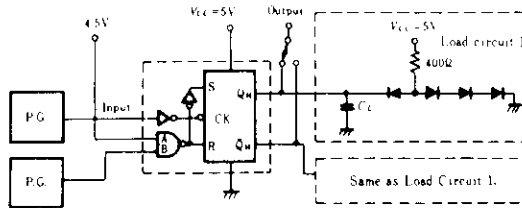
** I_{CC} is measured after the eighth clock pulse with the output open and A and B inputs grounded.

■ SWITCHING CHARACTERISTICS ($V_{CC} = 5\text{V}$, $T_a = 25^\circ\text{C}$)

Item	Symbol	Test Conditions	min	typ	max	Unit
Maximum clock frequency	f_{max}		10	18	—	MHz
Propagation delay time	t_{PLH}	$C_L = 15\text{pF}$, $R_L = 2\text{k}\Omega$	—	24	40	ns
	t_{PHL}		—	27	40	ns

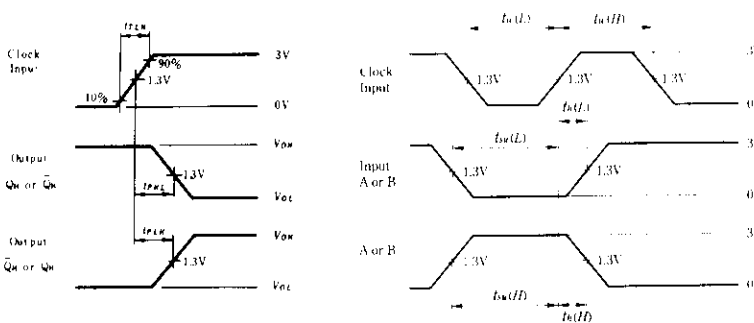
■ TESTING METHOD

1) Test Circuit



- Notes) 1. Input pulse; $t_{TLH} \leq 15\text{ns}$, $t_{THL} \leq 6\text{ns}$, $PRR = 1\text{MHz}$, duty cycle = 50%
 2. C_L includes probe and jig capacitance.
 3. All diodes are 1S2074 $\text{\textcircled{R}}$.

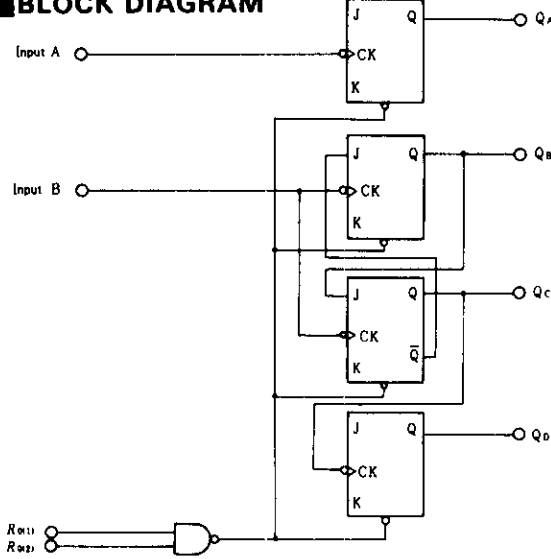
Waveform



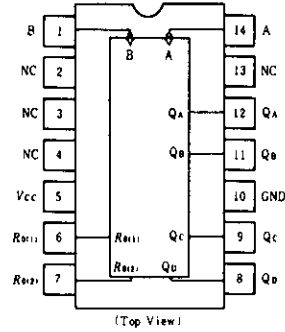
HD74LS92 • Divide-by-Twelve Counters

The HD74LS92 contains four master-slave flip-flops and additional gating to provide a divide-by-two counter and three-stage binary counter for divide-by-six. To use this maximum count length of this counter, the B input is connected to the Q_A output. The input count pulses are applied to input A and the outputs are described in the appropriate function table.

■ BLOCK DIAGRAM



■ PIN ARRANGEMENT



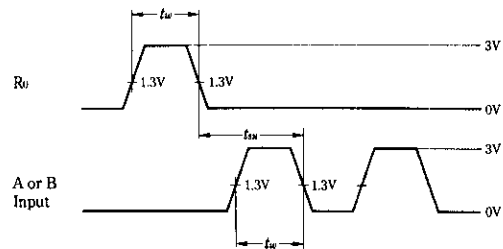
■ ABSOLUTE MAXIMUM RATINGS

Item	Symbol	Ratings	Unit
Supply voltage	V_{CC}	7.0	V
Input voltage	R Input	7.0	V
	A, B Input	5.5	V
Operating temperature range	T_{opr}	-20 ~ +75	°C
Storage temperature range	T_{stg}	-65 ~ +150	°C

■ RECOMMENDED OPERATING CONDITIONS

Item	Symbol	min	typ	max	Unit
Count frequency	A input	0	—	32	MHz
	B input	0	—	16	
Pulse width	A input	15	—	—	ns
	B input	30	—	—	
	Reset inputs	15	—	—	
Setup time	t_{su}	25	—	—	ns

■ TIMING DEFINITION



■ FUNCTION TABLE

Reset/Count Function Table

Reset Inputs		Outputs			
$RO(1)$	$RO(2)$	Q_D	Q_C	Q_B	Q_A
H	H	L	L	L	L
L	X	Count			
X	L	Count			

BCD Count Sequence (Notes 1)

Count	Output			
	Q_D	Q_C	Q_B	Q_A
0	L	L	L	L
1	L	L	L	H
2	L	L	H	L
3	L	L	H	H
4	L	H	L	L
5	L	H	L	H
6	H	L	L	L
7	H	L	L	H
8	H	L	H	L
9	H	L	H	H
10	H	H	L	L
11	H	H	L	H

Notes) 1. Output Q_A is connected to input B for BCD count.
3. H; high level, L; low level, X; irrelevant

HD74LS92

■ ELECTRICAL CHARACTERISTICS ($T_a = -20 \sim +75^\circ\text{C}$)

Item		Symbol	Test Conditions	min	typ*	max	Unit
Input voltage		V_{IH}		2.0	-	-	V
		V_{IL}		-	-	0.8	V
Output voltage		V_{OH}	$V_{CC} = 4.75\text{V}, V_{IH} = 2\text{V}, V_{IL} = 0.8\text{V}, I_{OH} = -400\mu\text{A}$	2.7	-	-	V
		V_{OL}	$V_{CC} = 4.75\text{V}, V_{IH} = 2\text{V}, I_{OL} = 4\text{mA}^{**}$	-	-	0.4	V
		V_{OL}	$V_{IL} = 0.8\text{V}, I_{OL} = 8\text{mA}^{**}$	-	-	0.5	V
Input current	Any Reset	I_{IL}	$V_{CC} = 5.25\text{V}, V_I = 0.4\text{V}$	-	-	0.4	mA
	A input			-	-	2.4	
	B input			-	-	3.2	
	Any Reset	I_{IH}	$V_{CC} = 5.25\text{V}, V_I = 2.7\text{V}$	-	-	20	μA
	A input			-	-	40	
	B input			-	-	80	
	Any Reset	I_I	$V_{CC} = 5.25\text{V}$	$V_I = 7\text{V}$	-	-	0.1
A input	$V_I = 5.5\text{V}$			-	-	0.2	
B input				-	-	0.4	
Short circuit output current		I_{OS}	$V_{CC} = 5.25\text{V}$	-20	-	100	mA
Supply current ***		I_{CC}	$V_{CC} = 5.25\text{V}$	-	9	15	mA
Input clamp voltage		V_{IK}	$V_{CC} = 4.75\text{V}, I_{IK} = 18\text{mA}$	-	-	1.5	V

* $V_{CC} = 5\text{V}, T_a = 25^\circ\text{C}$

** Q_A output is tested at specified I_{OL} plus the limit value of I_{IL} for the B input. This permits driving the B input while maintaining full fan-out capability.

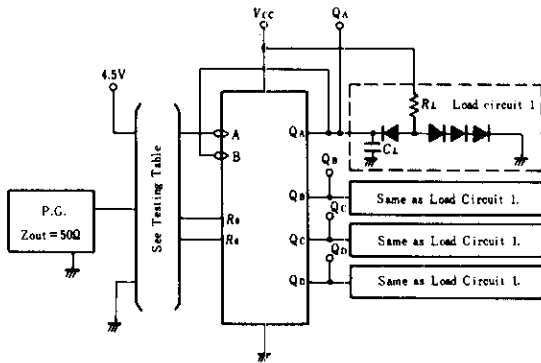
*** I_{CC} is measured with all outputs open both R_o inputs grounded following momentary connection to 4.5V, and all other inputs grounded.

■ SWITCHING CHARACTERISTICS ($V_{CC} = 5\text{V}, T_a = 25^\circ\text{C}$)

Item	Symbol	Input	Outputs	Test Conditions	min	typ	max	Unit
Maximum count frequency	f_{max}	A	Q_A	$C_L = 15\text{pF}, R_L = 2\text{k}\Omega$	32	42	-	MHz
		B	Q_B		16	-	-	MHz
Propagation delay time	t_{PLH}	A	Q_A		-	10	16	ns
					t_{PHL}	-	12	18
	t_{PLH}	A	Q_D			-	32	48
					t_{PHL}	-	34	50
	t_{PLH}	B	Q_B			-	10	16
					t_{PHL}	-	14	21
	t_{PLH}	B	Q_C			-	10	16
					t_{PHL}	-	14	21
	t_{PLH}	B	Q_D			-	21	32
					t_{PHL}	-	23	35
	t_{PHL}		Set to 0	$Q_A \sim Q_D$		-	26	40

TESTING METHOD

1) Test Circuit



- Notes) 1. Input pulse; $t_{TLH} \leq 15\text{ns}$, $t_{THL} \leq 6\text{ns}$, $PRR = 1\text{MHz}$, duty cycle=50%
 2. C_L includes probe and jig capacitance.
 3. All diodes are 1S2074 $\text{\textcircled{D}}$.

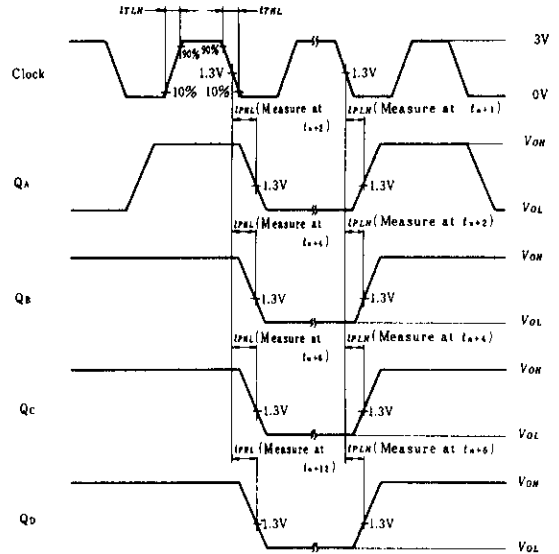
2) Testing Table

Item	From input to output	Inputs			Outputs			
		A	B	R_0	Q_A	Q_B	Q_C	Q_D
f_{max}	A \rightarrow Q	IN	to Q_A	GND	Out	Out	Out	Out
	B \rightarrow Q	4.5V	IN	GND	-	Out	Out	Out
t_{PLH}	A \rightarrow Q_A	IN	to Q_A	GND	Out	-	-	-
	A \rightarrow Q_D	IN	to Q_A	GND	-	-	-	Out
t_{PHL}	B \rightarrow Q_B	4.5V	IN	GND	-	Out	-	-
	B \rightarrow Q_D	4.5V	IN	GND	-	-	Out	-
	B \rightarrow Q_D	4.5V	IN	GND	-	-	-	Out
	$R_0 \leftrightarrow Q$	IN*	to Q_A	IN	Out	Out	Out	Out

*; For initialized.

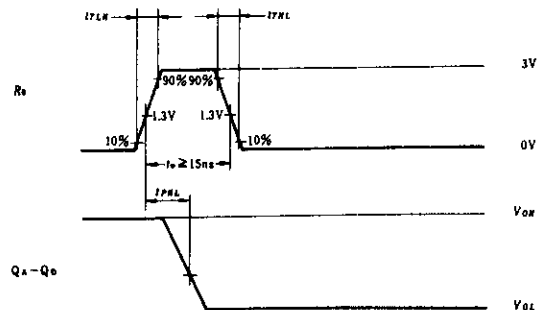
**; Measured with each input and unused inputs at 4.5V.

Waveform-1 f_{max} , t_{PLH} , t_{PHL} (Clock \rightarrow Q)



- Notes) 1. Input pulse; $t_{TLH} \leq 15\text{ns}$, $t_{THL} \leq 6\text{ns}$, $PRR = 1\text{MHz}$, duty cycle=50% and; for f_{max} , $t_{TLH} = t_{THL} \leq 2.5\text{ns}$.
 2. t_n is reference bit time when all outputs are low.

Waveform-2 t_{PHL} ($R_0 \rightarrow Q$)

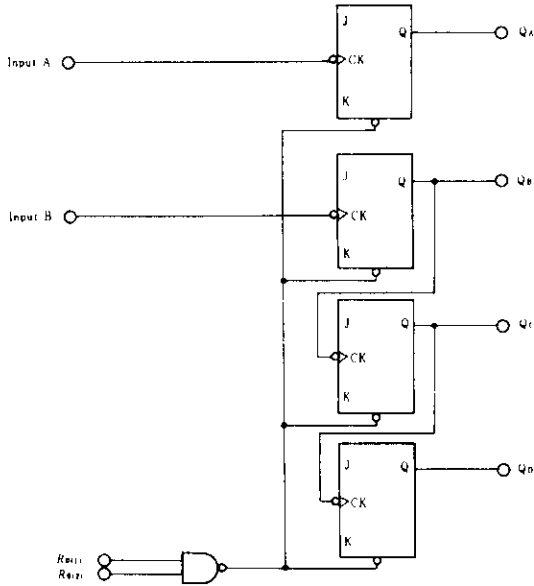


- Notes) 1. $t_{TLH} \leq 15\text{ns}$, $t_{THL} \leq 6\text{ns}$.

HD74LS93 4-bit Binary Counters

The HD74LS93 contains four master-slave flip-flops and additional gating to provide a divide-by-two counter and three-state binary counter for divide-by-eight. To use this maximum count length of this counter, the B input is connected to the Q_A output. The input count pulses are applied to input A and the outputs are described in the appropriate function table.

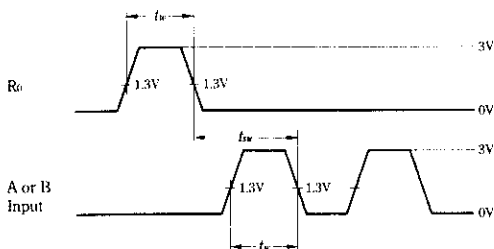
■ BLOCK DIAGRAM



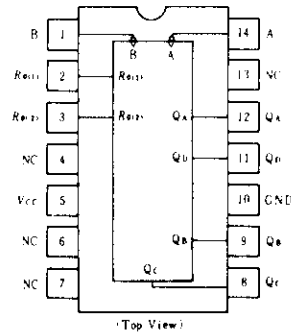
■ RECOMMENDED OPERATING CONDITIONS

Item	Symbol	min	typ	max	Unit
Count frequency	A input	0	—	32	MHz
	B input	0	—	16	
Pulse width	A input	15	—	—	ns
	B input	30	—	—	
	Reset inputs	15	—	—	
Setup time	t_{su}	25	—	—	ns

■ TIMING DEFINITION



■ PIN ARRANGEMENT



■ ABSOLUTE MAXIMUM RATINGS

Item	Symbol	Ratings	Unit
Supply voltage	V_{cc}	7.0	V
Input voltage	R Inputs	7.0	V
	A, B Inputs	5.5	V
Operating temperature range	T_{opr}	-20 ~ +75	°C
Storage temperature range	T_{stg}	-65 ~ +150	°C

■ FUNCTION TABLE

● Reset/Count Function Table

Reset Inputs		Outputs			
R0(1)	R0(2)	Q _D	Q _C	Q _B	Q _A
H	H	L	L	L	L
L	X	Count			
X	L	Count			

● BCD Count Sequence (Notes 1)

Count	Outputs			
	Q _D	Q _C	Q _B	Q _A
0	L	L	L	L
1	L	L	L	H
2	L	L	H	L
3	L	L	H	H
4	L	H	L	L
5	L	H	L	H
6	L	H	H	L
7	L	H	H	H
8	H	L	L	L
9	H	L	L	H
10	H	L	H	L
11	H	L	H	H
12	H	H	L	L
13	H	H	L	H
14	H	H	H	L
15	H	H	H	H

Notes) 1. Output Q_A is connected to input B for BCD count.
2. H; high level, L; low level, X; irrelevant

■ ELECTRICAL CHARACTERISTICS ($T_a = -20 \sim +75^\circ\text{C}$)

Item	Symbol	Test Conditions	min	typ*	max	Unit		
Input voltage	V_{IH}		2.0	—	—	V		
	V_{IL}		—	—	0.8	V		
Output voltage	V_{OH}	$V_{CC}=4.75\text{V}, V_{IH}=2\text{V}, V_{IL}=0.8\text{V}, I_{OH}=-400\mu\text{A}$	2.7	—	—	V		
	V_{OL}	$V_{CC}=4.75\text{V}, V_{IH}=2\text{V}, V_{IL}=0.8\text{V}$	$I_{OL}=4\text{mA}^{**}$	—	—	0.4	V	
			$I_{OL}=8\text{mA}^{**}$	—	—	0.5		
Input current	Any Reset	I_{IL}	$V_{CC}=5.25\text{V}, V_I=0.4\text{V}$	—	—	-0.4	mA	
	A input			—	—	-2.4		
	B input			—	—	-1.6		
	Any Reset	I_{IH}	$V_{CC}=5.25\text{V}, V_I=2.7\text{V}$	—	—	20	μA	
	A input			—	—	40		
	B input			—	—	40		
	Any Reset	I_I	$V_{CC}=5.25\text{V}$	$V_I=7\text{V}$	—	—	0.1	mA
	A input			$V_I=5.5\text{V}$	—	—	0.2	
B input	$V_I=5.5\text{V}$			—	—	0.2		
Short-circuit output current	I_{OS}	$V_{CC}=5.25\text{V}$	-20	—	-100	mA		
Supply current	I_{CC}^{***}	$V_{CC}=5.25\text{V}$	—	9	15	mA		
Input clamp voltage	V_{IK}	$V_{CC}=4.75\text{V}, I_{IN}=-18\text{mA}$	—	—	-1.5	V		

* $V_{CC}=5\text{V}, T_a=25^\circ\text{C}$

** Q_A output is tested at specified I_{OL} plus the limit value of I_{IL} for the B input. This permits driving the B input while maintaining full fan-out capability.

*** I_{CC} is measured with all outputs open, both R_0 inputs grounded following momentary connection to 4.5V, and all other inputs grounded.

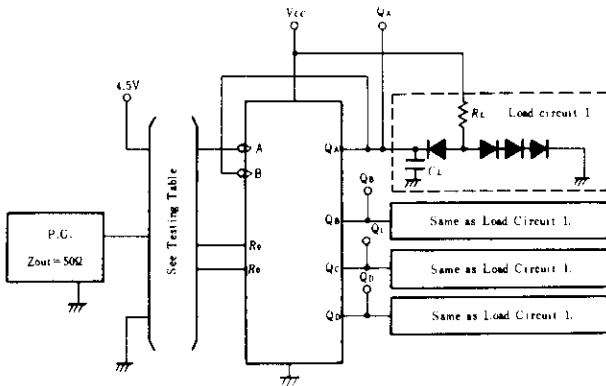
■ SWITCHING CHARACTERISTICS ($V_{CC}=5\text{V}, T_a=25^\circ\text{C}$)

Item	Symbol	Inputs	Outputs	Test Conditions	min	typ	max	Unit
Maximum count frequency	f_{max}	A	Q_A	$C_L=15\text{pF}, R_L=2\text{k}\Omega$	32	42	—	MHz
		B	Q_B		16	—	—	
Propagation delay time	t_{PLH}	A	Q_A		—	10	16	ns
	t_{PHL}		Q_B		—	12	18	
	t_{PLH}	A	Q_D		—	46	70	ns
	t_{PHL}		Q_D		—	46	70	
	t_{PLH}	B	Q_B		—	10	16	ns
	t_{PHL}		Q_B		—	14	21	
	t_{PLH}	B	Q_C		—	21	32	ns
	t_{PHL}		Q_C		—	23	35	
	t_{PLH}	B	Q_D	—	34	51	ns	
	t_{PHL}		Q_D	—	34	51		
t_{PHL}		Set-to-0	$Q_A \sim Q_D$	—	26	40	ns	

HD74LS93

TESTING METHOD

1) Test Circuit



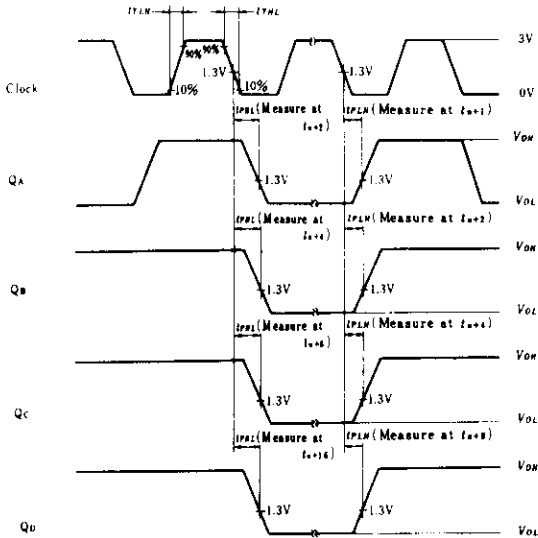
- Notes) 1. C_L includes probe and jig capacitance.
2. All diodes are 1S2074 (D).

2) Testing Table

Item	From input to output	Inputs			Outputs			
		A	B	R_0	Q_A	Q_B	Q_C	Q_D
f_{max}	A → Q	IN	to Q_A	GND	Out	Out	Out	Out
	B → Q	4.5V	IN	GND	—	Out	Out	Out
t_{PLH}	A → Q_A	IN	to Q_A	GND	Out	—	—	—
	A → Q_D	IN	to Q_A	GND	—	—	—	Out
t_{PHL}	B → Q_B	4.5V	IN	GND	—	Out	—	—
	B → Q_C	4.5V	IN	GND	—	—	Out	—
	$R_0^* \rightarrow Q$	IN*	to Q_A	IN	Out	Out	Out	Out

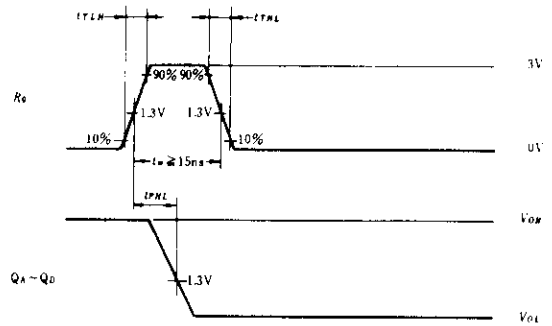
- * For initialized.
** Measured with each input and unused inputs at 4.5V.

Waveform-1 f_{max} , t_{PLH} , t_{PHL} , (Clock → Q)



- Notes) 1. Input pulse; $t_{TLH} \leq 15ns$, $t_{THL} \leq 5ns$, $PRR=1MHz$, duty cycle=50% and: for f_{max} , $t_{TLH}=t_{THL} \leq 2.5ns$.
2. t_m is reference bit time when all outputs are low.

Waveform-2 $t_{PHL}(R_0 \rightarrow Q)$



- Notes) 1. $t_{TLH} \leq 15ns$, $t_{THL} \leq 5ns$.

HD74LS95B ● 4-bit Parallel Access Shift Registers

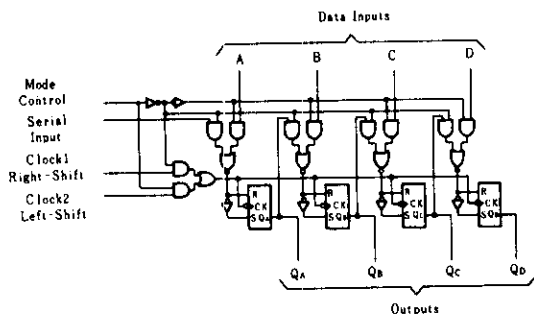
This 4-bit register features parallel and serial inputs, parallel outputs, mode control, and two clock inputs. The register has three mode operation:

- Parallel (broadside) load
- Shift right (the direction Q_A toward Q_D)
- Shift left (the direction Q_D toward Q_A)

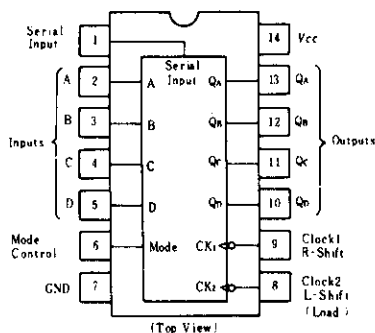
Parallel loading is accomplished by applying the four bits of data and taking the mode control input high. The data is loaded into the associated flip-flops and appears at the outputs after the high-to-low transition of the clock-2 input. During loading, the entry of serial data is inhibited. Shift right is accomplished on the high-to-low transition of clock-1 when the

mode control is low; shift left is accomplished on the high-to-low transition of clock-2 when the mode control is high by connecting the output of each flip-flop to the parallel input of the previous flip-flop (Q_D to input C, etc.) and serial data is entered at input D. The clock input may be applied commonly to clock-1 and clock-2 if both modes can be clocked from the same source. Changes at the mode control input should normally be made while both clock inputs are low; however, conditions described in the last three lines of the function table will also ensure that register contents are protected.

■ BLOCK DIAGRAM



■ PIN ARRANGEMENT



■ FUNCTION TABLE

Mode Control	Clocks		Inputs				Outputs				
	2(L)	1(R)	Serial	A	B	C	D	QA	QB	QC	QD
H	H	X	X	X	X	X	X	QA0	QB0	QC0	QD0
H	↓	X	X	a	b	c	d	a	b	c	d
H	↓	X	X	QB†	QC†	QD†	d	QBn	QCn	QDn	d
L	L	H	X	X	X	X	X	QA0	QB0	QC0	QD0
L	X	↓	H	X	X	X	X	H	QA n	QB n	QC n
L	X	↓	L	X	X	X	X	L	QA n	QB n	QC n
↑	L	L	X	X	X	X	X	QA0	QB0	QC0	QD0
↓	L	L	X	X	X	X	X	QA0	QB0	QC0	QD0
↓	L	H	X	X	X	X	X	QA0	QB0	QC0	QD0
↑	H	L	X	X	X	X	X	QA0	QB0	QC0	QD0
↑	H	H	X	X	X	X	X	QA0	QB0	QC0	QD0

- Notes)
1. H; high level, L; low level, X; irrelevant
 2. †; transition from low to high level
 3. ‡; transition from high to low level
 4. a~d; the level of steady-state input at inputs A,B,C, or D, respectively
 5. QA0~QD0; the level of QA, QB, QC, or QD, respectively,

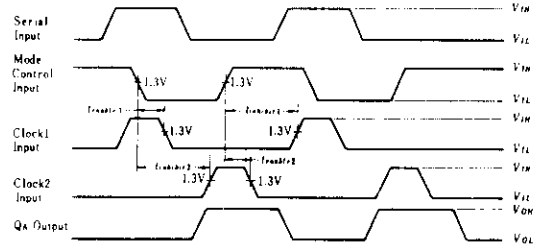
before the indicated steady-state input conditions were established.

6. QA n~QD n; the level of QA, QB, QC, or QD, respectively, before the most-recent (†) transition of the clock.
7. ‡; Shifting left requires external connection of QB to A, QC to B, and QD to C. Serial data is entered at input D.

HD74LS95B

RECOMMENDED OPERATING CONDITIONS

Item	Symbol	min	typ	max	Unit
Clock frequency	f_{clock}	0	—	25	MHz
Clock pulse width	$t_{w(CK)}$	25	—	—	ns
Setup time	t_{su}	20	—	—	ns
Hold time	t_h	10	—	—	ns
Enable time 1	$t_{enable 1}$	20	—	—	ns
Enable time 2	$t_{enable 2}$	20	—	—	ns
Inhibit time 1	$t_{inhibit 1}$	20	—	—	ns
Inhibit time 2	$t_{inhibit 2}$	20	—	—	ns



Clock Enable/Inhibit Times

ELECTRICAL CHARACTERISTICS ($T_a = -20 \sim +75^\circ\text{C}$)

Item	Symbol	Test Conditions	min	typ*	max	Unit
Input voltage	V_{IH}		2.0	—	—	V
	V_{IL}		—	—	0.8	
Output voltage	V_{OH}	$V_{CC} = 4.75\text{V}$, $V_{IH} = 2\text{V}$, $V_{IL} = 0.8\text{V}$, $I_{OH} = -400\mu\text{A}$	2.7	—	—	V
	V_{OL}	$V_{CC} = 4.75\text{V}$, $V_{IH} = 2\text{V}$, $V_{IL} = 0.8\text{V}$	—	—	0.4	V
		$I_{OL} = 4\text{mA}$	—	—	0.5	
		$I_{OL} = 8\text{mA}$	—	—	0.5	
Input current	I_{IH}	$V_{CC} = 5.25\text{V}$, $V_i = 2.7\text{V}$	—	—	20	μA
	I_{IL}	$V_{CC} = 5.25\text{V}$, $V_i = 0.4\text{V}$	—	—	-0.4	mA
	I_i	$V_{CC} = 5.25\text{V}$, $V_i = 7\text{V}$	—	—	0.1	mA
Short-circuit output current	I_{OS}	$V_{CC} = 5.25\text{V}$	-20	—	-100	mA
Supply current **	I_{CC}	$V_{CC} = 5.25\text{V}$	—	13	21	mA
Input clamp voltage	V_{IK}	$V_{CC} = 4.75\text{V}$, $I_{IN} = -18\text{mA}$	—	—	-1.5	V

* $V_{CC} = 5\text{V}$, $T_a = 25^\circ\text{C}$

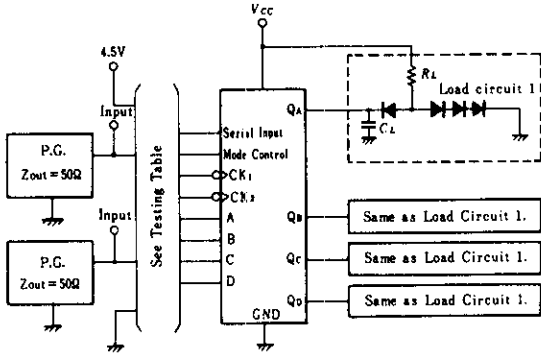
** I_{CC} is measured with all outputs and serial input open; A, B, C, and D inputs grounded; mode control at 4.5V; and momentary 3V, then ground, applied both clock inputs.

SWITCHING CHARACTERISTICS ($V_{CC} = 5\text{V}$, $T_a = 25^\circ\text{C}$)

Item	Symbol	Test Conditions	min	typ	max	Unit
Maximum clock frequency	f_{max}	$C_L = 15\text{pF}$, $R_L = 2\text{k}\Omega$	25	36	—	MHz
Propagation delay time	t_{PLH}		—	18	27	ns
	t_{PHL}		—	21	32	ns

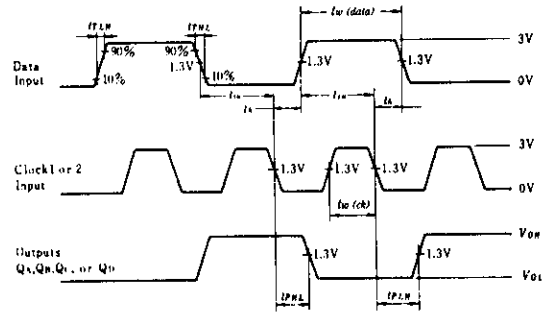
TESTING METHOD

1) Test Circuit



- Notes) 1. C_L includes probe and jig capacitance.
2. All diodes are 1S2074 $\text{\textcircled{R}}$.

Waveform



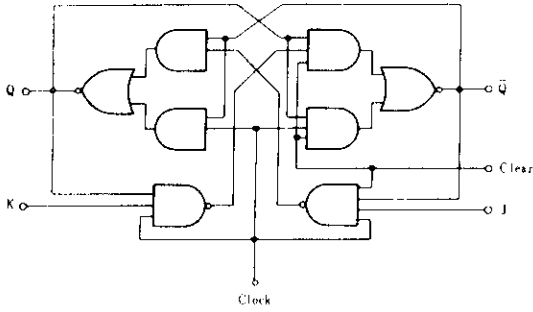
- Note) 1. Input pulse: $t_{PLH}, t_{PHL} \leq 10\text{ns}$,
Data PRR=500kHz
Clock PRR=1MHz

2) Testing Table

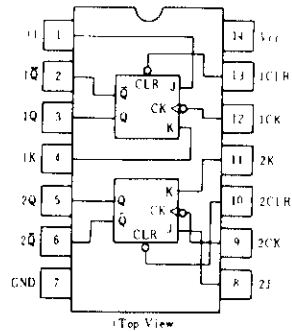
Item	From input to output	Inputs							Outputs				
		CK-1	CK-2	Mode Control	Serial Inputs	A	B	C	D	QA	QB	QC	QD
f_{max}	CK-1→Q	IN	4.5V	0V	IN	4.5V	4.5V	4.5V	4.5V	OUT	OUT	OUT	OUT
	CK-2→Q	4.5V	IN	4.5V	4.5V	IN	IN	IN	IN	OUT	OUT	OUT	OUT
t_{PLH}	CK-1→Q	IN	4.5V	0V	IN	4.5V	4.5V	4.5V	4.5V	OUT	OUT	OUT	OUT
	CK-2→Q	4.5V	IN	4.5V	4.5V	IN	IN	IN	IN	OUT	OUT	OUT	OUT

HD74LS107A ● Dual J-K Negative-edge-triggered Flip-Flops (with Clear)

■ BLOCK DIAGRAM (1/2)



■ PIN ARRANGEMENT



■ RECOMMENDED OPERATING CONDITIONS

Item	Symbol	min	typ	max	Unit
Clock frequency	f_{clock}	0	-	30	MHz
Pulse width	Clock High	20	-	-	ns
	Clear Low	25	-	-	ns
Setup time	"H" Data	20↓	-	-	ns
	"L" Data	20↓	-	-	ns
Hold time	t_h	0↓	-	-	ns

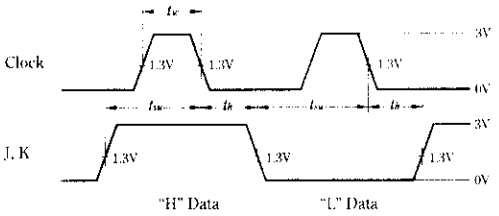
■ FUNCTION TABLE

Inputs				Outputs	
Clear	Clock	J	K	Q	\bar{Q}
L	X	X	X	L	H
H	↓	L	L	Q_0	\bar{Q}_0
H	↓	H	L	H	L
H	↓	L	H	L	H
H	↓	H	H	Toggle	
H	H	X	X	Q_0	\bar{Q}_0

Note) ↓; The arrow indicates the falling edge.

Notes) H; high level, L; low level, X; irrelevant
 ↓; transition from high to low level
 Q_0 ; level of Q before the indicated steady-state input conditions were established.
 \bar{Q}_0 ; complement of Q_0 or level of \bar{Q} before the indicated steady-state input conditions were established.
 Toggle; each output changes to the complement of its previous level on each active transition indicated by ↓.

■ TIMING DEFINITION



ELECTRICAL CHARACTERISTICS (Ta = -20 ~ +75°C)

Item	Symbol	Test Conditions	min	typ*	max	Unit	
Input voltage	V _{IH}		2.0	—	—	V	
	V _{IL}		—	—	0.8	V	
Output voltage	V _{OH}	V _{CC} = 4.75V, V _{IH} = 2V, V _{IL} = 0.8V, I _{OH} = -400μA	2.7	—	—	V	
	V _{OL}	V _{CC} = 4.75V, V _{IH} = 2V, I _{OL} = 8mA	—	—	0.5	V	
		V _{IL} = 0.8V, I _{OL} = 4mA	—	—	0.4	V	
Input current	I _{IH}	V _{CC} = 5.25V, V _I = 2.7V	J, K	—	—	20	μA
			Clear	—	—	60	
			Clock	—	—	80	
	I _{IL}	V _{CC} = 5.25V, V _I = 0.4V	J, K	—	—	-0.4	mA
			Clear	—	—	-0.8	
			Clock	—	—	-0.8	
	I _I	V _{CC} = 5.25V, V _I = 7V	J, K	—	—	0.1	mA
			Clear	—	—	0.3	
Short-circuit output current	I _{OS}	V _{CC} = 5.25V	-20	—	-100	mA	
	I _{CC}	V _{CC} = 5.25V	—	4	6	mA	
Input clamp voltage	V _{IK}	V _{CC} = 4.75V, I _{IN} = -18mA	—	—	-1.5	V	

* V_{CC} = 5V, T_a = 25°C

** With all outputs open, I_{CC} is measured with the Q and \bar{Q} outputs high in turn. At the time of measurement, the clock input is grounded.

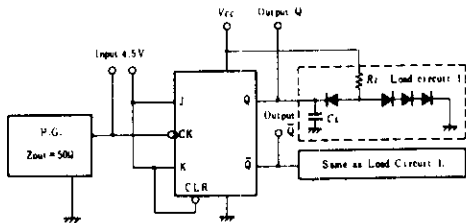
SWITCHING CHARACTERISTICS (V_{CC} = 5V, T_a = 25°C)

Item	Symbol	Inputs	Outputs	Test Conditions	min	typ	max	Unit
Maximum clock frequency	f _{max}			C _L = 15pF, R _L = 2kΩ	30	45	—	MHz
Propagation delay time	t _{PLH}	Clear	Q, \bar{Q}		—	15	20	ns
	t _{PHL}	Clock			—	15	20	ns

TESTING METHOD

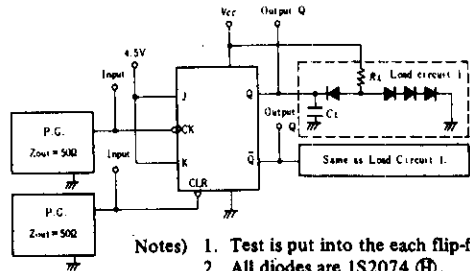
1) Test Circuit

1.1) f_{max}, t_{PLH}, t_{PHL} (Clock → Q, \bar{Q})



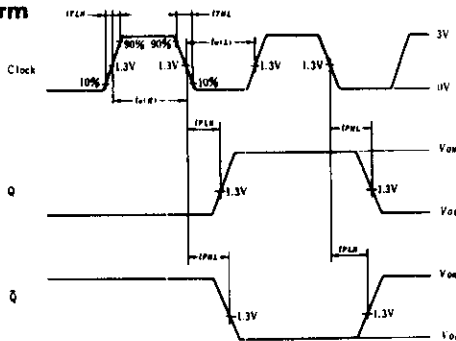
- Notes)
1. Test is put into the each flip-flop.
 2. All diodes are 1S2074 (Ⓢ).
 3. C_L includes probe and jig capacitance.

1.2) t_{PHL} (Clear → Q), t_{PLH} (Clear → \bar{Q})

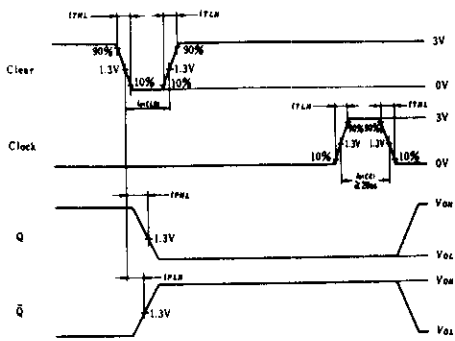


- Notes)
1. Test is put into the each flip-flop.
 2. All diodes are 1S2074 (Ⓢ).
 3. C_L includes probe and jig capacitance.

Waveform



Note) Clock input pulse: t_{TLH} ≤ 15ns, t_{THL} ≤ 6ns, PRR = 1MHz, duty cycle = 50% and: for f_{max}, t_{TLH} = t_{THL} ≤ 2.5ns.



Note) Clear and clock input pulse: t_{TLH} ≤ 15ns, t_{THL} ≤ 6ns, PRR = 1MHz

HD74LS109A ● Dual J-K Positive-edge-triggered Flip-Flops (with Preset and Clear)

RECOMMENDED OPERATING CONDITIONS

Item	Symbol	min	typ	max	Unit
Clock frequency	f_{clock}	0	—	25	MHz
Pulse width	Clock High	25	—	—	ns
	Preset Low Clear	25	—	—	
Setup time	"H" Data	20↑	—	—	ns
	"L" Data	20↑	—	—	
Hold time	t_h	5↑	—	—	ns

Note) ↑: The arrow indicates the rising edge.

FUNCTION TABLE

Inputs			Outputs			
Preset	Clear	Clock	J	\bar{K}	Q	\bar{Q}
L	H	×	×	×	H	L
H	L	×	×	×	L	H
L	L	×	×	×	H*	H*
H	H	↑	L	L	L	H
H	H	↑	H	L	Toggle	
H	H	↑	L	H	Q_0	\bar{Q}_0
H	H	↑	H	H	H	L
H	H	L	×	×	Q_0	\bar{Q}_0

Notes) H; high level, L; low level, X; irrelevant

↑; transition from low to high level

Q_0 ; level of Q before the indicated steady-state conditions were established.

\bar{Q}_0 ; complement of Q_0 or level of \bar{Q} before the indicated steady-state input conditions were established.

*; This configuration is nonstable, that is, it will not persist where preset and clear inputs return to their inactive (high) level.

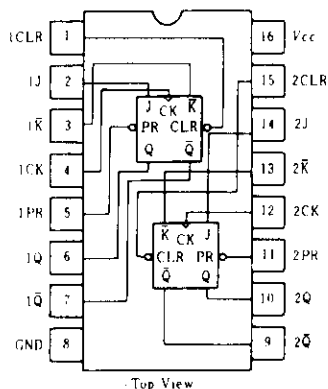
ELECTRICAL CHARACTERISTICS ($T_a = -20 \sim +75^\circ\text{C}$)

Item	Symbol	Test Conditions	min	typ*	max	Unit	
Input voltage	V_{IH}		2.0	—	—	V	
	V_{IL}		—	—	0.8	V	
Output voltage	V_{OH}	$V_{CC} = 4.75\text{V}$, $V_{IH} = 2\text{V}$, $V_{IL} = 0.8\text{V}$, $I_{OH} = -400\mu\text{A}$	2.7	—	—	V	
	V_{OL}	$V_{CC} = 4.75\text{V}$, $V_{IH} = 2\text{V}$, $V_{IL} = 0.8\text{V}$, $I_{OL} = 8\text{mA}$	—	—	0.5	V	
Input current	J, \bar{K} , CK CLR, PR	I_{IH}	$V_{CC} = 5.25\text{V}$, $V_I = 2.7\text{V}$	—	—		20
	J, \bar{K} , CK CLR, PR	I_{IL}	$V_{CC} = 5.25\text{V}$, $V_I = 0.4\text{V}$	—	—	0.4	
	J, \bar{K} , CK CLR, PR	I_I	$V_{CC} = 5.25\text{V}$, $V_I = 7\text{V}$	—	—	0.1	mA
	J, \bar{K} , CK CLR, PR	I_I	$V_{CC} = 5.25\text{V}$, $V_I = 7\text{V}$	—	—	0.2	
	Short-circuit output current	I_{OS}	$V_{CC} = 5.25\text{V}$	-20	—	-100	mA
Supply current **	I_{CC}	$V_{CC} = 5.25\text{V}$	—	4	8	mA	
Input clamp voltage	V_{IK}	$V_{CC} = 4.75\text{V}$, $I_{IN} = -18\text{mA}$	—	—	-1.5	V	

* $V_{CC} = 5\text{V}$, $T_a = 25^\circ\text{C}$

** With all outputs open, I_{CC} is measured with the Q and \bar{Q} outputs high in turn. At the time of measurement, the clock input is grounded.

PIN ARRANGEMENT



HD74LS109A

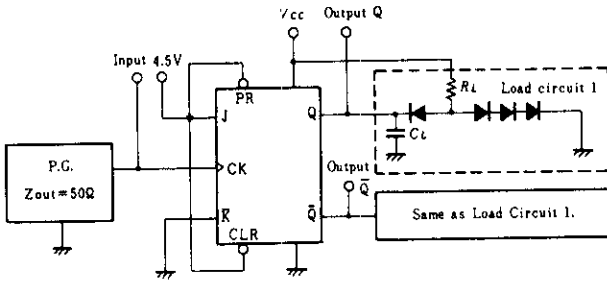
SWITCHING CHARACTERISTICS ($V_{CC}=5V$, $T_a=25^\circ C$)

Item	Symbol	Inputs	Outputs	Test Conditions	min	typ	max	Unit
Maximum clock frequency	f_{max}			$C_L=15pF$, $R_L=2k\Omega$	25	33	—	MHz
Propagation delay time	t_{PLH}	Clear Preset Clock	Q, \bar{Q}		—	13	25	ns
	t_{PHL}				—	25	40	ns

TESTING METHOD

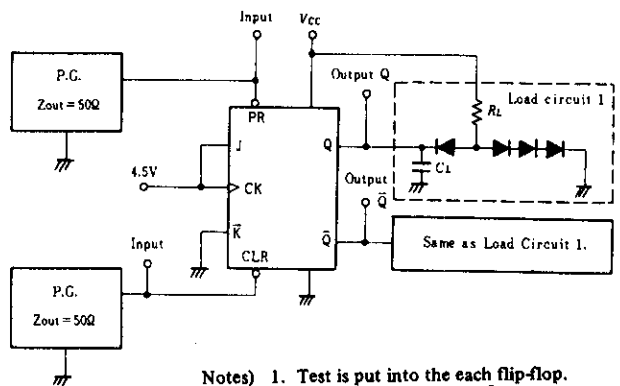
1) Test Circuit

1.1) f_{max} , t_{PLH} , t_{PHL} (Clock \rightarrow Q, \bar{Q})



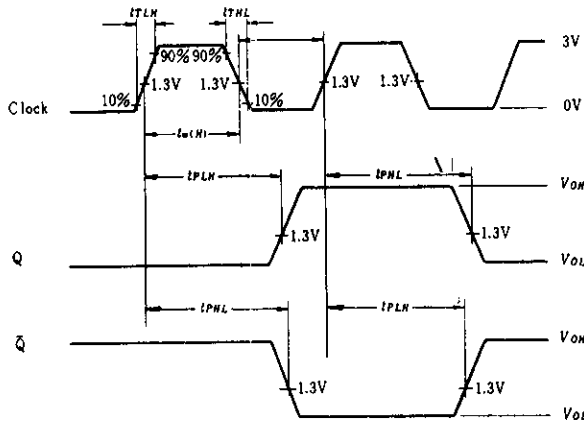
- Notes) 1. Test is put into the each flip-flop.
2. All diodes are 1S2074 (F).
3. C_L includes probe and jig capacitance.

1.2) t_{PHL} , t_{PLH} (Clear, Preset \rightarrow Q, \bar{Q})

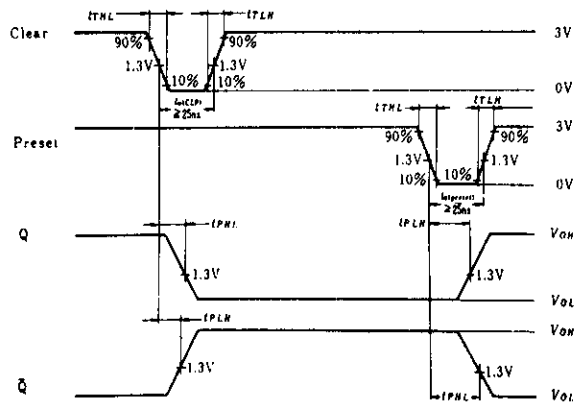


- Notes) 1. Test is put into the each flip-flop.
2. All diodes are 1S2074 (F).
3. C_L includes probe and jig capacitance.

Waveform



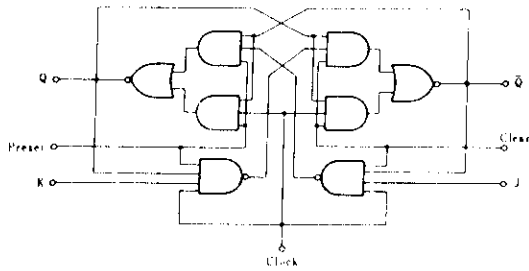
Note) Clock input pulse: $t_{TLH} \leq 15ns$, $t_{THL} \leq 6ns$, $PRR=1MHz$, duty cycle=50% and: for f_{max} , $t_{TLH} + t_{THL} \leq 2.5ns$.



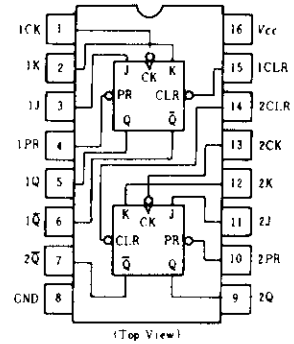
Note) Clear and preset input pulse: $t_{TLH} \leq 15ns$, $t_{THL} \leq 6ns$, $PRR=1MHz$.

HD74LS112 • Dual J-K Negative-edge-triggered Flip-Flops (with Preset and Clear)

■ BLOCK DIAGRAM (1/2)



■ PIN ARRANGEMENT



■ RECOMMENDED OPERATING CONDITIONS

Item	Symbol	min	typ	max	Unit
Clock frequency	f_{clock}	0	—	30	MHz
Pulse width	Clock High	20	—	—	ns
	Clear Preset Low	25	—	—	
Setup time	"H" Data	20 ↓	—	—	ns
	"L" Data	20 ↓	—	—	
Hold time	t_h	0 ↓	—	—	ns

Note) ↓; The arrow indicates the falling edge.

■ FUNCTION TABLE

Inputs					Outputs	
Preset	Clear	Clock	J	K	Q	\bar{Q}
L	H	X	X	X	H	L
H	L	X	X	X	L	H
L	L	X	X	X	H*	H*
H	H	↓	L	L	Q_0	\bar{Q}_0
H	H	↓	H	L	H	L
H	H	↓	L	H	L	H
H	H	↓	H	H	Toggle	
H	H	H	X	X	Q_0	\bar{Q}_0

Notes) H; high level, L; low level, X; irrelevant

↓; transition from high to low level

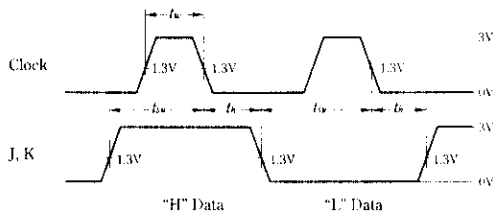
Q_0 ; level of Q before the indicated steady-state input conditions were established.

\bar{Q}_0 ; complement of Q_0 or level of \bar{Q} before the indicated steady-state input conditions were established.

Toggle; each output changes to the complement of its previous level on each active transition indicated by ↓.

*; This configuration is nonstable; that is, it will not persist when preset and clear inputs return to their inactive (high) level.

■ TIMING DEFINITION



■ ELECTRICAL CHARACTERISTICS ($T_a = -20 \sim +75^\circ\text{C}$)

Item		Symbol	Test Conditions	min	typ*	max	Unit
Input voltage		V_{IH}		2.0	—	—	V
		V_{IL}		—	—	0.8	V
Output voltage		V_{OH}	$V_{CC}=4.75\text{V}, V_{IH}=2\text{V}, V_{IL}=0.8\text{V}, I_{OH}=-400\mu\text{A}$	2.7	—	—	V
		V_{OL}	$V_{CC}=4.75\text{V}, V_{IH}=2\text{V}, V_{IL}=0.8\text{V}$	$I_{OL}=8\text{mA}$	—	—	0.5
$I_{OL}=4\text{mA}$	—			—	0.4		
Input current	J, K	I_{IH}	$V_{CC}=5.25\text{V}, V_I=2.7\text{V}$	—	—	20	μA
	Clear			—	—	60	
	Preset			—	—	60	
	Clock			—	—	80	
	J, K	I_{IL}^{**}	$V_{CC}=5.25\text{V}, V_I=0.4\text{V}$	—	—	-0.4	mA
	Clear			—	—	-0.8	
	Preset			—	—	-0.8	
	Clock			—	—	-0.8	
	J, K	I_I	$V_{CC}=5.25\text{V}, V_I=7\text{V}$	—	—	0.1	mA
	Clear			—	—	0.3	
	Preset			—	—	0.3	
	Clock			—	—	0.4	
Short-circuit output current		I_{OS}	$V_{CC}=5.25\text{V}$	-20	—	-100	mA
Supply current ***		I_{CC}	$V_{CC}=5.25\text{V}$	—	4	8	mA
Input clamp voltage		V_{IK}	$V_{CC}=4.75\text{V}, I_{IN}=-18\text{mA}$	—	—	-1.5	V

* $V_{CC}=5\text{V}, T_a=25^\circ\text{C}$

** I_{IH} should not be measured when preset and clear inputs are low at same time.

*** With all outputs open, I_{CC} is measured with the Q and \bar{Q} outputs high in turn.
At the time of measurement, the clock input is grounded.

■ SWITCHING CHARACTERISTICS ($V_{CC}=5\text{V}, T_a=25^\circ\text{C}$)

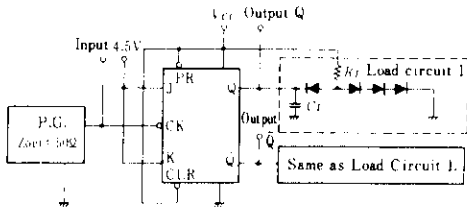
Item	Symbol	Inputs	Outputs	Test Conditions	min	typ	max	Unit
Maximum clock frequency	f_{max}			$C_L=15\text{pF}, R_L=2\text{k}\Omega$	30	45	—	MHz
Propagation delay time	t_{PLH}	Clear Preset Clock	Q, \bar{Q}		—	11	20	ns
	t_{PHL}				—	15	30	ns

HD74LS112

TESTING METHOD

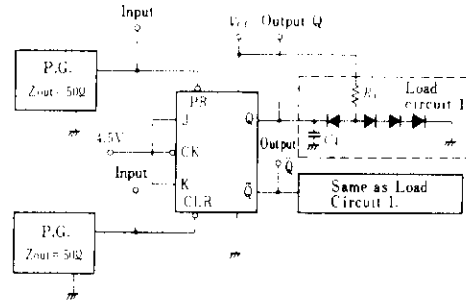
1) Test Circuit

1.1) f_{max} , t_{PLH} , t_{PHL} (Clock \rightarrow Q, \bar{Q})



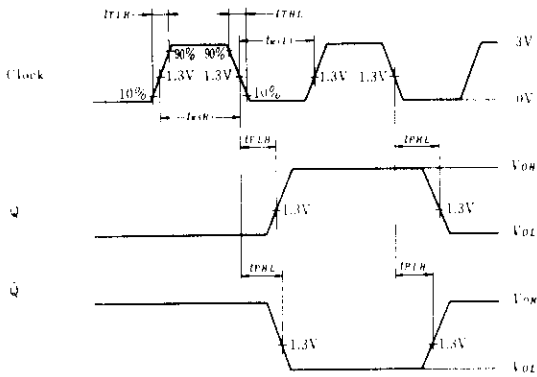
- Notes) 1. Test is put into the each flip-flop.
 2. All diodes are 1S2074 $\text{\textcircled{H}}$.
 3. C_L includes probe and jig capacitance.

1.2) t_{PHL} , t_{PLH} (Clear, Preset \rightarrow Q, \bar{Q})

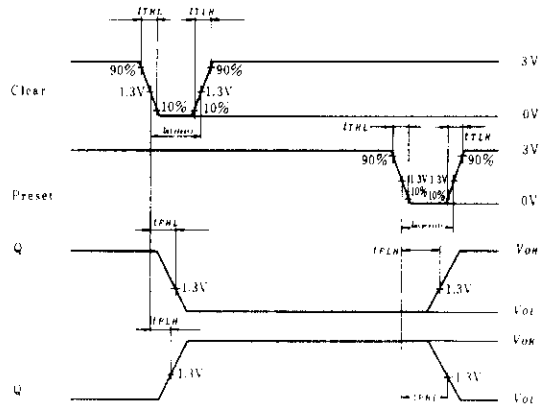


- Notes) 1. Test is put into the each flip-flop.
 2. All diodes are 1S2074 $\text{\textcircled{H}}$.
 3. C_L includes probe and jig capacitance.

Waveform



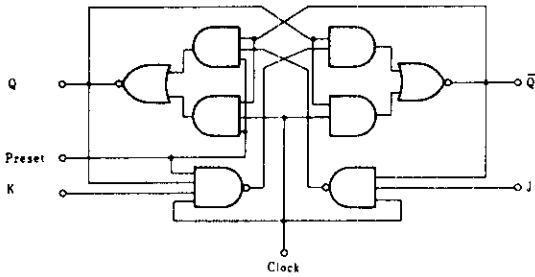
- Note) Clock input pulse; $t_{TLH} \leq 15\text{ns}$, $t_{THL} \leq 6\text{ns}$, $PRR=1\text{MHz}$, duty cycle=50% and; for f_{max} , $t_{TLH}=t_{THL} \leq 2.5\text{ns}$.



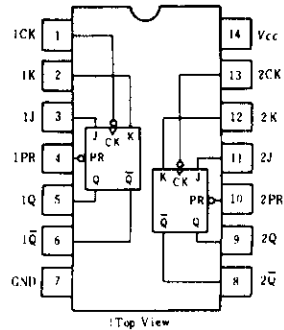
- Note) Clear and preset input pulse; $t_{TLH} \leq 15\text{ns}$, $t_{THL} \leq 6\text{ns}$, $PRR=1\text{MHz}$

HD74LS113 ● Dual J-K Negative-edge-triggered Flip-Flops (with Preset)

■ BLOCK DIAGRAM (1/2)



■ PIN ARRANGEMENT



■ RECOMMENDED OPERATING CONDITIONS

Item	Symbol	min	typ	max	Unit
Clock frequency	f_{clock}	0	—	30	MHz
Pulse width	CK	20	—	—	ns
	PR	25	—	—	
Setup time	"H" level	20↓	—	—	ns
	"L" level	20↓	—	—	
Hold time	t_h	0↓	—	—	ns

Note) ↓; The arrow indicates the falling edge.

■ FUNCTION TABLE

Inputs				Outputs	
Preset	Clock	J	K	Q	\bar{Q}
L	×	×	×	H	L
H	↓	L	L	Q_0	\bar{Q}_0
H	↓	H	L	H	L
H	↓	L	H	L	H
H	↓	H	H	Toggle	
H	H	×	×	Q_0	\bar{Q}_0

Notes) H; high level, L; low level, X; irrelevant

↓; transition from high to low level

Q_0 ; level of Q before the indicated steady-state input conditions were established.

\bar{Q}_0 ; complement of Q_0 or level of \bar{Q} before the indicated steady-state input conditions were established.

Toggle; each output changes to the complement of its previous level on each active transition indicated by ↓.

■ ELECTRICAL CHARACTERISTICS ($T_a = -20 \sim +75^\circ\text{C}$)

Item	Symbol	Test Conditions	min	typ*	max	Unit
Input voltage	V_{IH}		2.0	—	—	V
	V_{IL}		—	—	0.8	V
Output voltage	V_{OH}	$V_{CC}=4.75\text{V}, V_{IH}=2\text{V}, V_{IL}=0.8\text{V}, I_{OH}=-400\mu\text{A}$	2.7	—	—	V
	V_{OL}	$V_{CC}=4.75\text{V}, V_{IL}=0.8\text{V}, I_{OL}=4\text{mA}$	—	—	0.4	V
		$V_{IH}=2\text{V}, I_{OL}=8\text{mA}$	—	—	0.5	
Input current	J, K	$V_{CC}=5.25\text{V}, V_I=2.7\text{V}$	—	—	20	μA
	Preset		—	—	60	
	Clock		—	—	80	
	J, K	$V_{CC}=5.25\text{V}, V_I=0.4\text{V}$	—	—	-0.4	mA
	Preset		—	—	-0.8	
	Clock		—	—	-0.8	
Input current	J, K	$V_{CC}=5.25\text{V}, V_I=7\text{V}$	—	—	0.1	mA
	Preset		—	—	0.3	
	Clock		—	—	0.4	
Short-circuit output current	I_{OS}	$V_{CC}=5.25\text{V}$	-20	—	-100	mA
Supply current **	I_{CC}	$V_{CC}=5.25\text{V}$	—	4	8	mA
Input clamp voltage	V_{IK}	$V_{CC}=4.75\text{V}, I_{IN}=-18\text{mA}$	—	—	-1.5	V

* $V_{CC}=5\text{V}, T_a=25^\circ\text{C}$

** With all outputs open, I_{CC} is measured with the Q and \bar{Q} outputs high in turn. At the time of measurement, the clock input is grounded.

HD74LS113

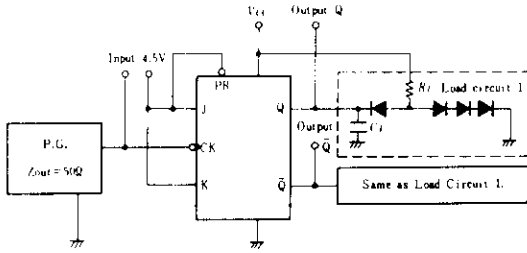
SWITCHING CHARACTERISTICS ($V_{CC}=5V$, $T_a=25^\circ C$)

Item	Symbol	Inputs	Outputs	Test Conditions	min	typ	max	Unit
Maximum clock frequency	f_{max}			$C_L=15pF$, $R_L=2k\Omega$	30	45	—	MHz
Propagation delay time	t_{PLH}	Preset Clock	Q, \bar{Q}		—	11	20	ns
	t_{PHL}				—	15	30	ns

TESTING METHOD

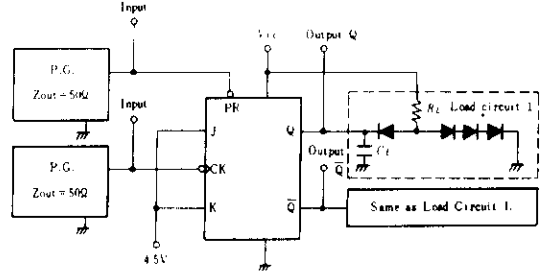
1.1) Test Circuit

1.1) f_{max} , t_{PLH} , t_{PHL} (Clock \rightarrow Q, \bar{Q})



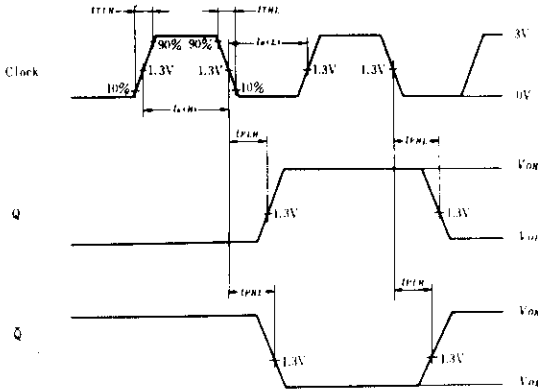
- Notes) 1. Test is put into the each flip-flop.
2. All diodes are 1S2074 (H).
3. C_L includes probe and jig capacitance.

1.2) t_{PHL} (Preset \rightarrow Q), t_{PLH} (Preset \rightarrow Q)

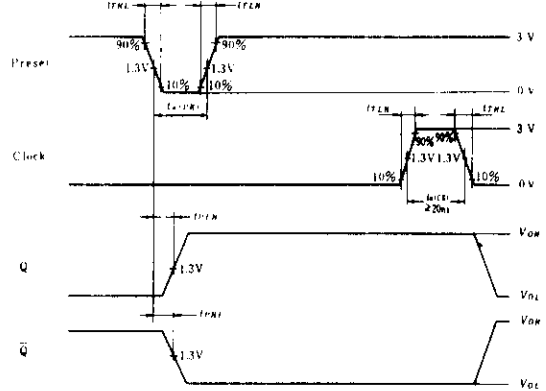


- Notes) 1. Test is put into the each flip-flop.
2. All diodes are 1S2074 (H).
3. C_L includes probe and jig capacitance.

Waveform



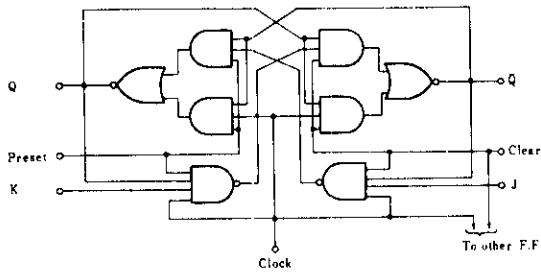
Note) Clock input pulse: $t_{TLH} \leq 15ns$, $t_{THL} \leq 6ns$, $PRR=1MHz$, duty cycle=50% and: for f_{max} , $t_{TLH}=t_{THL} \leq 2.5ns$.



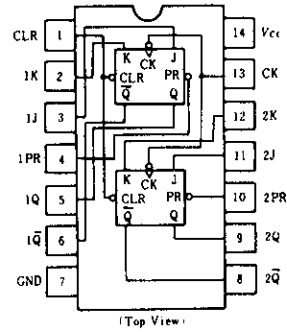
Note) Preset and clock input pulse: $t_{TLH} \leq 15ns$, $t_{THL} \leq 6ns$, $PRR=1MHz$

HD74LS114 • Dual J-K Negative-edge-triggered Flip-Flops (with Preset, Common Clear and Common Clock)

■ BLOCK DIAGRAM (1/2)



■ PIN ARRANGEMENT



■ RECOMMENDED OPERATING CONDITIONS

Item	Symbol	min	typ	max	Unit
Clock frequency	f_{clock}	0	—	30	MHz
Pulse width	Clock High	20	—	—	ns
	Preset/ Clear Low	25	—	—	ns
Setup time	"H" Data	20↓	—	—	ns
	"L" Data	20↓	—	—	ns
Hold time	t_h	0↓	—	—	ns

Note) ↓; The arrow indicates the falling edge.

■ FUNCTION TABLE

Inputs					Outputs	
Preset	Clear	Clock	J	K	Q	\bar{Q}
L	H	×	×	×	H	L
H	L	×	×	×	L	H
L	L	×	×	×	H*	H*
H	H	↓	L	L	Q_0	\bar{Q}_0
H	H	↓	H	L	H	L
H	H	↓	L	H	L	H
H	H	↓	H	H	Toggle	
H	H	H	×	×	Q_0	\bar{Q}_0

Notes) H; high level, L; low level, X; irrelevant

↓; transition from high to low level

Q_0 ; level of Q before the indicated steady-state input conditions were established.

\bar{Q}_0 ; complement of Q_0 or level of \bar{Q} before the indicated steady-state input conditions were established.

Toggle; each output changes to the complement of its previous level on each active transition indicated by ↓.

*; This configuration is nonstable; that is, it will not persist when preset and clear inputs return to their inactive (high) level.

HD74LS114

■ ELECTRICAL CHARACTERISTICS ($T_a = -20 \sim +75^\circ\text{C}$)

Item	Symbol	Test Conditions	min	typ*	max	Unit	
Input voltage	V_{IH}		2.0	—	—	V	
	V_{IL}		—	—	0.8	V	
Output voltage	V_{OH}	$V_{CC} = 4.75\text{V}, V_{IH} = 2\text{V}, V_{IL} = 0.8\text{V}, I_{OH} = -400\mu\text{A}$	2.7	—	—	V	
	V_{OL}	$V_{CC} = 4.75\text{V}, V_{IL} = 0.8\text{V}, I_{OL} = 8\text{mA}$	—	—	0.5	V	
		$V_{IH} = 2\text{V}, I_{OL} = 4\text{mA}$	—	—	0.4	V	
Input current	J, K	I_{IH}	$V_{CC} = 5.25\text{V}, V_i = 2.7\text{V}$	—	—	20	μA
	Clear			—	—	120	
	Preset			—	—	60	
	Clock			—	—	160	
	J, K	I_{IL}^{**}	$V_{CC} = 5.25\text{V}, V_i = 0.4\text{V}$	—	—	-0.4	mA
	Clear			—	—	-1.6	
	Preset			—	—	-0.8	
	Clock			—	—	-1.6	
	J, K	I_i	$V_{CC} = 5.25\text{V}, V_i = 7\text{V}$	—	—	0.1	mA
	Clear			—	—	0.6	
	Preset			—	—	0.3	
	Clock			—	—	0.8	
Short-circuit output current	I_{OS}	$V_{CC} = 5.25\text{V}$	-20	—	-100	mA	
Supply current ***	I_{CC}	$V_{CC} = 5.25\text{V}$	—	4	8	mA	
Input clamp voltage	V_{IK}	$V_{CC} = 4.75\text{V}, I_{IS} = -18\text{mA}$	—	—	-1.5	V	

* $V_{CC} = 5\text{V}, T_a = 25^\circ\text{C}$

** I_{IL} should not be measured when preset and clear inputs are low at same time.

*** With all outputs open, I_{CC} is measured with the Q and \bar{Q} output high in turn. At the time of measurement, the clock input is grounded.

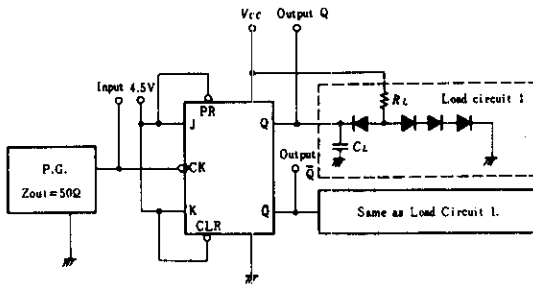
■ SWITCHING CHARACTERISTICS ($V_{CC} = 5\text{V}, T_a = 25^\circ\text{C}$)

Item	Symbol	Inputs	Outputs	Test Conditions	min	typ	max	Unit
Maximum clock frequency	f_{max}			$C_L = 15\text{pF}, R_L = 2\text{k}\Omega$	30	45	—	MHz
Propagation delay time	t_{PLH}	Clear Preset	Q, \bar{Q}		—	11	20	ns
	t_{PHL}	Clock			—	15	30	ns

TESTING METHOD

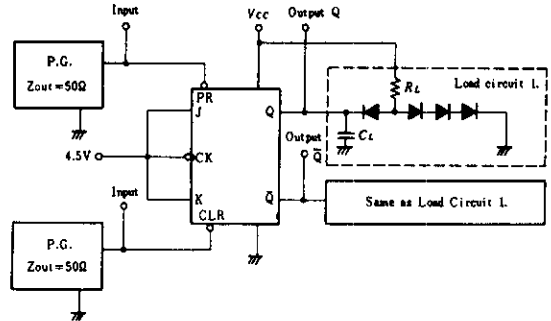
1) Test Circuit

1.1) f_{max} , t_{PLH} , t_{PHL} (Clock \rightarrow Q, \bar{Q})



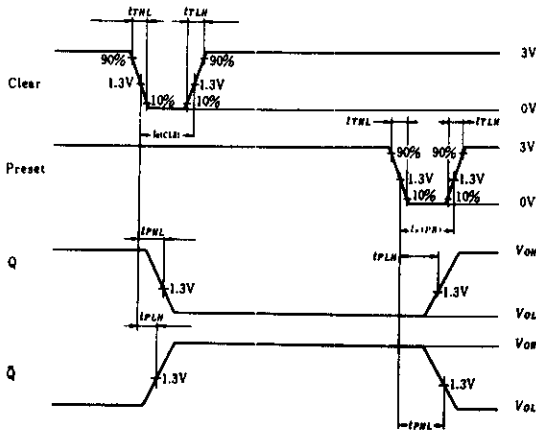
- Notes)
1. Test is put into the each flip-flop.
 2. All diodes are 1S2074 (Ⓜ).
 3. C_L includes probe and jig capacitance.

1.2) t_{PHL} , t_{PLH} (Clear, Preset \rightarrow Q, \bar{Q})



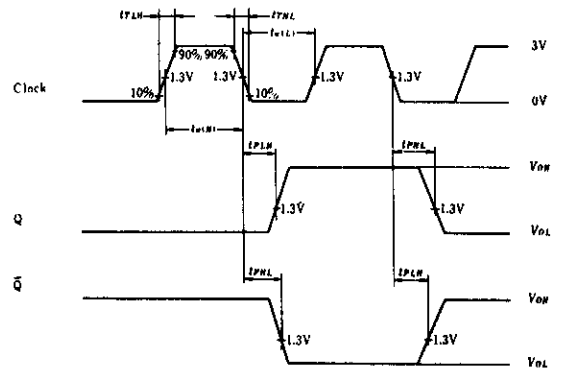
- Notes)
1. Test is put into the each flip-flop.
 2. All diodes are 1S2074 (Ⓜ).
 3. C_L includes probe and jig capacitance.

Waveform



- Note) Clock input pulse: $t_{TLH} \leq 15\text{ns}$, $t_{THL} \leq 6\text{ns}$, $PRR=1\text{MHz}$, duty cycle=50% and: for f_{max} , $t_{TLH}=t_{THL} \leq 2.5\text{ns}$.

Waveform



- Note) Clear and preset input pulse: $t_{TLH} \leq 15\text{ns}$, $t_{THL} \leq 6\text{ns}$, $PRR=1\text{MHz}$

HD74LS122 • Retriggerable Monostable Multivibrators (with Clear)

This d-c triggered multivibrator features output pulse width control by three methods. The basic pulse time is programmed by selection of external resistance and capacitance values. The HD74LS122 has an internal timing resistor that allows the circuit to be used with only an external capacitor, if so desired. Once triggered, the basic pulse width may be extended by re-triggering the gated low-level-active (A) or high-level-active (B) inputs or be reduced by use of the overriding clear. Fig. 1 illustrates pulse control by retriggering and early clear. This device is provided with enough Schmitt hysteresis to ensure jitter-free triggering from the B input with transition rates as slow as 0.1 mV/ns.

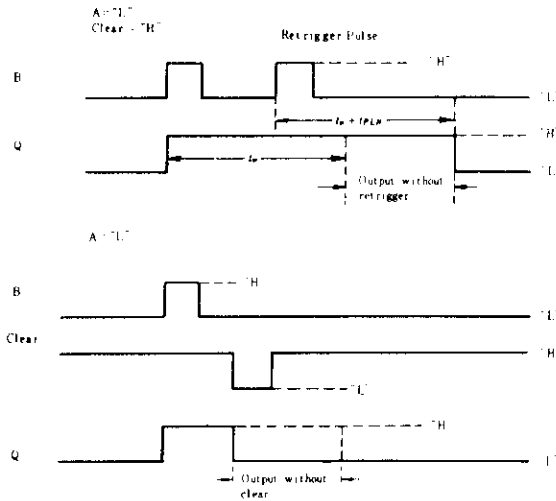
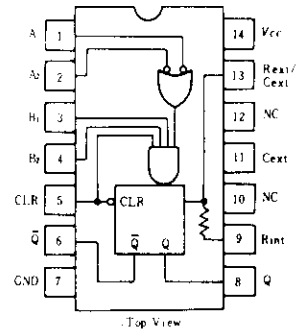


Fig.1 Typical Input/Output Pulses

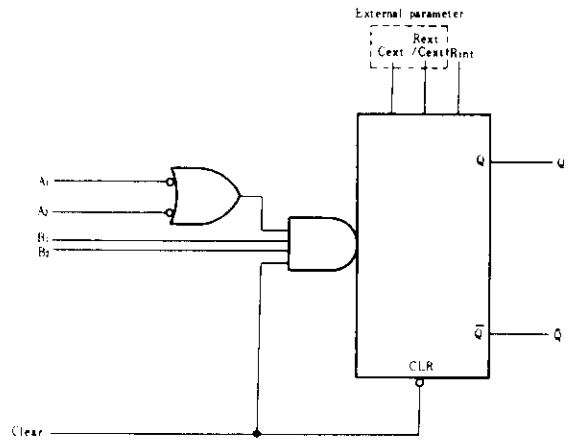
RECOMMENDED OPERATING CONDITIONS

Item	Symbol	min	typ	max	Unit
Input pulse width	t_w	40	—	—	ns
External timing resistance	R_{ext}	5	—	260	k Ω
External capacitance	C_{ext}	Non restriction			
Wiring capacitance at R_{ext}/C_{ext} terminal	R_{ext}/C_{ext}	—	—	50	pF

PIN ARRANGEMENT



BLOCK DIAGRAM



FUNCTION TABLE

Clear	Inputs				Outputs	
	A1	A2	B1	B2	Q	Q
L	X	X	X	X	L	H
X	H	H	X	X	L	H
X	X	X	L	X	L	H
X	X	X	X	L	L	H
H	L	X	↑	H	—	—
H	L	X	H	↑	—	—
H	X	L	↑	H	—	—
H	X	L	H	↑	—	—
H	H	↓	H	H	—	—
H	↓	H	H	H	—	—
H	↓	H	H	H	—	—
↑	L	X	H	H	—	—
↑	X	L	H	H	—	—

H: high level, L: low level, X: irrelevant.
 †: transition from low to high level.
 ‡: transition from high to low level.
: one high-level pulse.
: one low-level pulse.

■ ELECTRICAL CHARACTERISTICS ($T_a = -20 \sim +75^\circ\text{C}$)

Item	Symbol	Test Conditions	min	typ*	max	Unit
Input voltage	V_{IH}		2.0	—	—	V
	V_{IL}		—	—	0.8	V
Output voltage	V_{OH}	$V_{CC}=4.75\text{V}, V_{IH}=2\text{V}, V_{IL}=0.8\text{V}, I_{OH}=-400\mu\text{A}$	2.7	—	—	V
	V_{OL}	$V_{CC}=4.75\text{V}, V_{IH}=2\text{V}$ $V_{IL}=0.8\text{V}$	—	—	0.4	V
Input current	I_{IH}	$V_{CC}=5.25\text{V}, V_I=2.7\text{V}$	—	—	20	μA
	I_{IL}	$V_{CC}=5.25\text{V}, V_I=0.4\text{V}$	—	—	-0.4	mA
	I_I	$V_{CC}=5.25\text{V}, V_I=7\text{V}$	—	—	0.1	mA
Short-circuit output current	I_{OS}	$V_{CC}=5.25\text{V}$	-20	—	-100	mA
Supply current **	I_{CC}	$V_{CC}=5.25\text{V}$	—	6	11	mA
Input clamp voltage	V_{IK}	$V_{CC}=4.75\text{V}, I_{IN}=-18\text{mA}$	—	—	-1.5	V

* $V_{CC} = 5\text{V}, T_a = 25^\circ\text{C}$

** With all outputs open and 4.5V applied to all data and clear inputs, I_{CC} is measured after a momentary ground, then 4.5V, is applied to clock.

Note) To measure V_{OH} at Q, V_{OL} at \bar{Q} , or I_{OS} at Q, ground R_{ext}/C_{ext} , apply 2V to B and clear, and pulse A from 2V to 0V.

■ SWITCHING CHARACTERISTICS ($V_{CC}=5\text{V}, T_a=25^\circ\text{C}$)

Item	Symbol	Inputs	Outputs	Test Conditions	min	typ	max	Unit
Propagation delay time	t_{PLH}	A	Q	$C_{ext}=0$ $R_{ext}=5\text{k}\Omega$ $C_L=15\text{pF}$ $R_L=2\text{k}\Omega$	—	23	33	ns
	t_{PHL}		\bar{Q}		—	32	45	
	t_{PLH}	B	Q		—	23	44	
	t_{PHL}		\bar{Q}		—	34	56	
	t_{PLH}	Clear	Q		—	20	27	
	t_{PHL}		\bar{Q}		—	28	45	
Output pulse width	$t_{out(max)}$	A or B	Q	$C_{ext}=1000\text{pF}, R_{ext}=10\text{k}\Omega$ $C_L=15\text{pF}, R_L=2\text{k}\Omega$	—	116	200	μs
	t_{out}	A or B	Q		4	4.5	5	

■ TYPICAL APPLICATION DATA FOR HD74LS122

For pulse widths when $C_{ext} \leq 1000\text{pF}$, See Fig. 3.

The output pulse is primarily a function of the external capacitor and resistor. For $C_{ext} > 1000\text{pF}$, the output pulse width (t_w) is defined as : $t_w(\text{out}) = K \cdot R_{ext} \cdot C_{ext}$; See Fig. 4

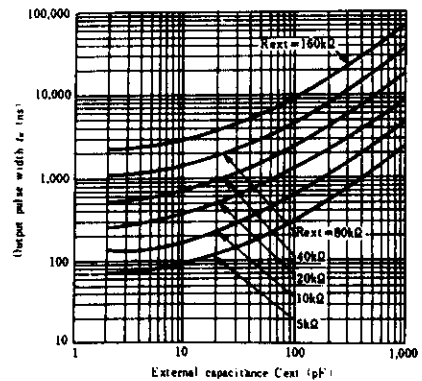
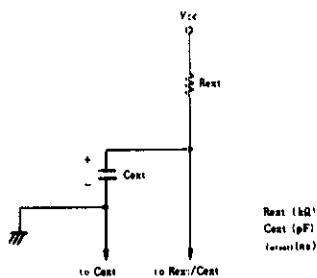


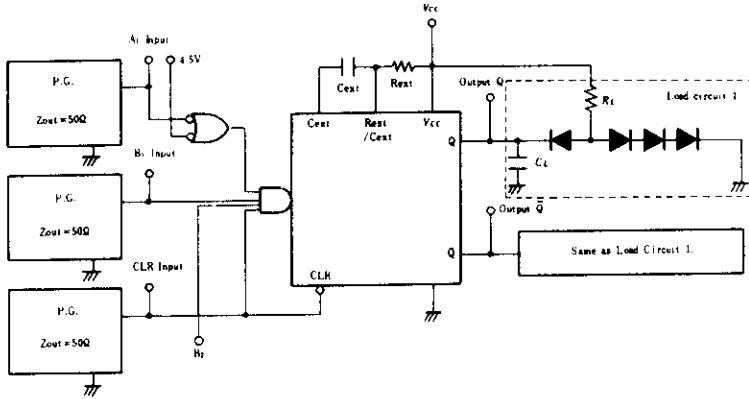
Fig.3 Typical Output Pulse Width ($C_{ext} \leq 1000\text{pF}$)

Fig.2 Timing Component Connections

HD74LS122

TESTING METHOD

1) Test Circuit



- Notes)
1. C_L includes probe and jig capacitance.
 2. All diodes are 1S2074 \oplus .
 3. Input pulse; $t_{PLH} \leq 15\text{ns}$, $t_{THL} \leq 6\text{ns}$.

Waveform

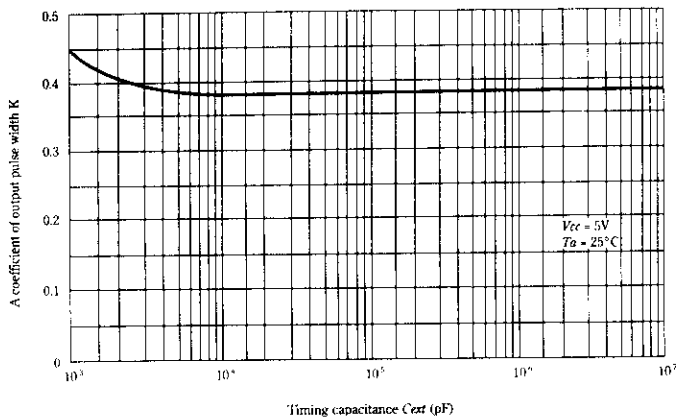
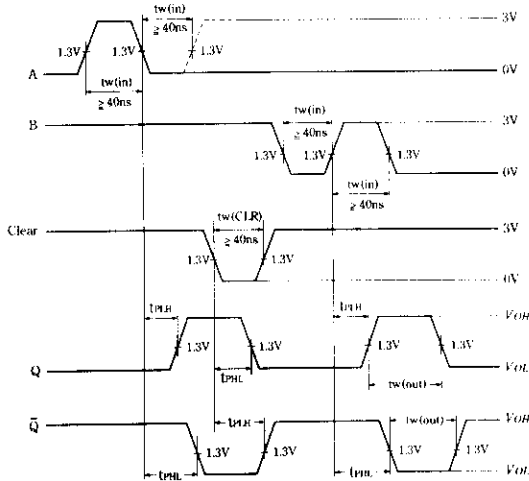


Fig.4 Cext vs K (Cext > 1000pF)

HD74LS123 • Dual Retriggerable Monostable Multivibrators (with Clear)

This d-c triggered multivibrator features output pulse width control by three method. The basic pulse time is programmed by selection of external resistance and capacitance values. Once triggered, the basic pulse width may be extended by re-triggering the gated low-level-active (A) or high-level-active (B) inputs, or be reduced by use of the overriding clear. Fig. 1 illustrates pulse control by retriggering and early clear. This device is provided enough Schmitt hysteresis to ensure jitter-free triggering from the B input with transition rates as slow as 0.1 mV/ns.

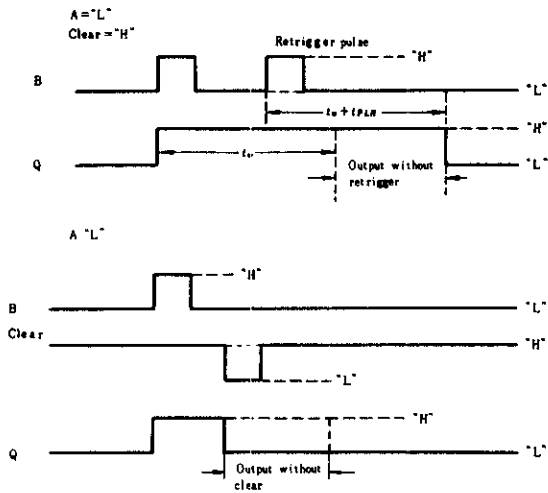
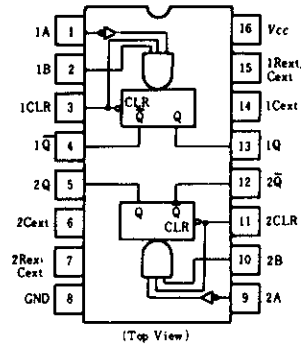
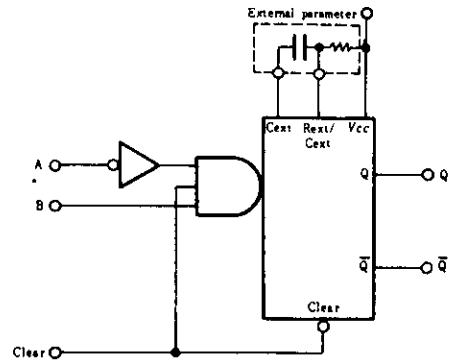


Fig.1 Typical Input/Output Pulses

PIN ARRANGEMENT



BLOCK DIAGRAM (1/2)



RECOMMENDED OPERATING CONDITIONS

Item	Symbol	min	typ	max	Unit
Input pulse width	A, B "H"	40	—	—	ns
	A, B "L"	40	—	—	ns
	CLR "L"	40	—	—	ns
External timing resistance	R_{ext}	5	—	260	k Ω
External capacitance	C_{ext}	Non restriction			
Wiring capacitance at Rext/Cext terminal		—	—	50	pF

FUNCTION TABLE

CLEAR	Inputs		Outputs	
	A	B	Q	\bar{Q}
L	X	X	L	H
X	H	X	L	H
X	X	L	L	H
H	L	↑	[one high-level pulse]	[one low-level pulse]
H	↓	H	[one high-level pulse]	[one low-level pulse]
↑	L	H	[one high-level pulse]	[one low-level pulse]

Notes) H; high level, L; low level, X; irrelevant
 ↓; transition from high to low level
 ↑; transition from low to high level
 [one high-level pulse]
 [one low-level pulse]

HD74LS123

ELECTRICAL CHARACTERISTICS ($T_a = -20 \sim +75^\circ\text{C}$)

Item	Symbol	Test Conditions	min	typ*	max	Unit	
Input voltage	V_{IH}		2.0	—	—	V	
	V_{IL}		—	—	0.8	V	
Output voltage	V_{OH}	$V_{CC}=4.75\text{V}, V_{IH}=2\text{V}, V_{IL}=0.8\text{V}, I_{OH}=-400\mu\text{A}$	2.7	—	—	V	
	V_{OL}	$V_{CC}=4.75\text{V}, V_{IH}=2\text{V}, V_{IL}=0.8\text{V}$	$I_{OL}=4\text{mA}$	—	—	0.4	V
			$I_{OL}=8\text{mA}$	—	—	0.5	
Input current	I_{IH}	$V_{CC}=5.25\text{V}, V_I=2.7\text{V}$	—	—	20	μA	
	I_{IL}	$V_{CC}=5.25\text{V}, V_I=0.4\text{V}$	—	—	-0.4	mA	
	I_I	$V_{CC}=5.25\text{V}, V_I=7\text{V}$	—	—	0.1	mA	
Short-circuit output current	I_{OS}	$V_{CC}=5.25\text{V}$	-20	—	-100	mA	
Supply current**	I_{CC}	$V_{CC}=5.25\text{V}$	—	12	20	mA	
Input clamp voltage	V_{IK}	$V_{CC}=4.75\text{V}, I_{IN}=-18\text{mA}$	—	—	-1.5	V	

* $V_{CC}=5\text{V}, T_a=25^\circ\text{C}$

** With all outputs open and 4.5V applied to all data and clear inputs, I_{CC} is measured after a momentary ground, then 4.5V, is applied clock.

Note) To measure V_{OH} at Q, V_{OL} at \bar{Q} , or I_{OS} at Q, ground R_{ext}/C_{ext} , apply 2V to B and clear, and pulse A from 2V to 0V.

SWITCHING CHARACTERISTICS ($V_{CC}=5\text{V}, T_a=25^\circ\text{C}$)

Item	Symbol	Inputs	Outputs	Test Conditions	min	typ	max	Unit
Propagation delay time	t_{PLH}	A	Q	$C_{ext}=0\text{pF}$ $R_{ext}=5\text{k}\Omega$ $C_L=15\text{pF}$ $R_L=2\text{k}\Omega$	—	23	33	ns
	t_{PHL}		\bar{Q}		—	32	45	
	t_{PLH}	B	Q		—	23	44	
	t_{PHL}		\bar{Q}		—	34	56	
	t_{PLH}	CLR	Q		—	20	27	
	t_{PHL}		\bar{Q}		—	28	45	
Output pulse width	$t_{w(out)min}$	A, B	Q	$C_{ext}=1,000\text{pF}, R_{ext}=10\text{k}\Omega$ $C_L=15\text{pF}, R_L=2\text{k}\Omega$	—	116	200	μs
	$t_{w(out)}$				4	4.5	5	

TYPICAL APPLICATION DATA FOR HD74LS123

For pulse widths when $C_{ext} < 1000\text{pF}$, See Fig. 3.

The output pulse is primarily a function of the external capacitor and resistor. For $C_{ext} > 1000\text{pF}$, the output pulse width (t_w) is defined as: $t_w(out) = K \cdot R_{ext} \cdot C_{ext}$; See Fig. 4

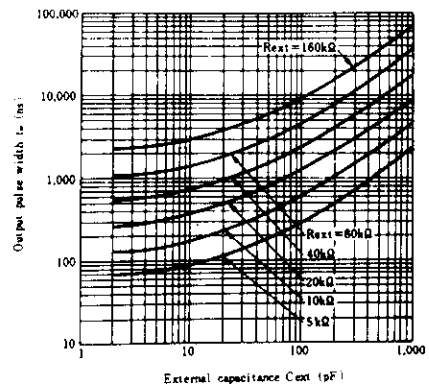
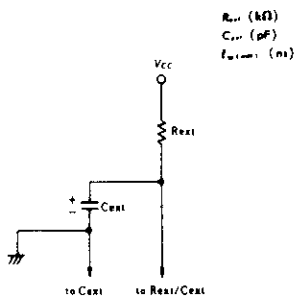


Fig.3 Typical Output Pulse Width ($C_{ext} \leq 1000\text{pF}$)

Fig.2 Timing Component Connections

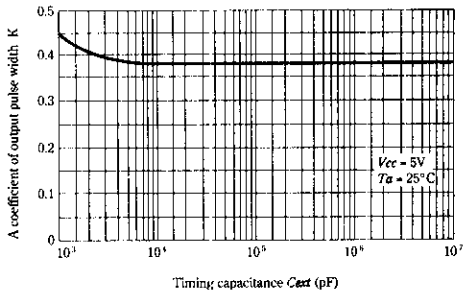
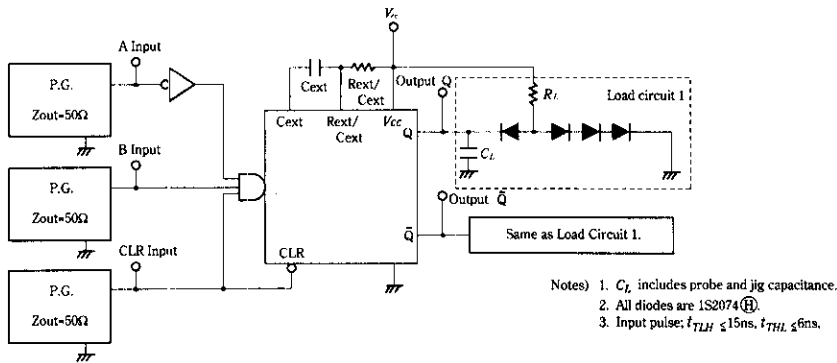


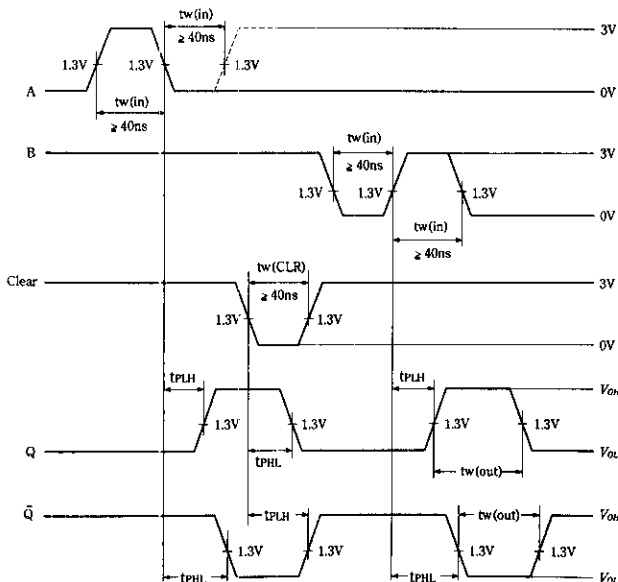
Fig.4 C_{ext} vs K ($C_{ext} > 1000pF$)

■ TESTING METHOD

1) Test Circuit

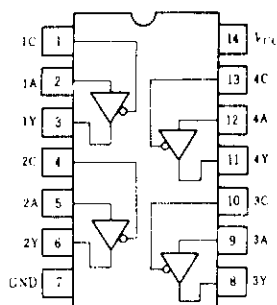


Waveform



HD74LS125A • Quadruple Bus Buffer Gates (with three-state outputs)

■ PIN ARRANGEMENT



(Top View)

■ FUNCTION TABLE

Inputs		Outputs
C	A	Y
H	X	Z
L	L	L
L	H	H

Note) H; high level,
L; low level,
X; irrelevant
Z; off (high-impedance) state
of a 3-state output

■ RECOMMENDED OPERATING CONDITIONS

Item	Symbol	min	typ	max	Unit
High level output current	I_{OH}	—	—	-2.6	mA
Low level output current	I_{OL}	—	—	24	mA

■ ELECTRICAL CHARACTERISTICS ($T_a = -20 \sim +75^\circ\text{C}$)

Item	Symbol	Test Conditions	min	typ*	max	Unit	
Input voltage	V_{IH}		2.0	—	—	V	
	V_{IL}		—	—	0.8	V	
Output voltage	V_{OH}	$V_{CC}=4.75\text{V}, V_{IH}=2\text{V}, V_{IL}=0.8\text{V}, I_{OH}=-2.6\text{mA}$	2.4	—	—	V	
	V_{OL}	$V_{CC}=4.75\text{V}, V_{IH}=2\text{V}, V_{IL}=0.8\text{V}$	$I_{OL}=24\text{mA}$	—	—	0.5	V
			$I_{OL}=12\text{mA}$	—	—	0.4	
Off-state output current	I_{OZ}	$V_{CC}=5.25\text{V}, V_{IH}=2\text{V}, V_{IL}=0.8\text{V}$	$V_O=2.4\text{V}$	—	—	20	μA
			$V_O=0.4\text{V}$	—	—	-20	
Input current	I_{IH}	$V_{CC}=5.25\text{V}, V_I=2.7\text{V}$	—	—	20	μA	
	I_{IL}	$V_{CC}=5.25\text{V}, V_I=0.4\text{V}$	—	—	-0.4	mA	
	I_I	$V_{CC}=5.25\text{V}, V_I=7\text{V}$	—	—	0.1	mA	
Short-circuit output current	I_{OS}	$V_{CC}=5.25\text{V}$	-40	—	-225	mA	
Supply current	I_{CC}	$V_{CC}=5.25\text{V}$	—	11	20	mA	
Input clamp voltage	V_{IK}	$V_{CC}=4.75\text{V}, I_{IN}=-18\text{mA}$	—	—	-1.5	V	

* $V_{CC}=5\text{V}, T_a=25^\circ\text{C}$

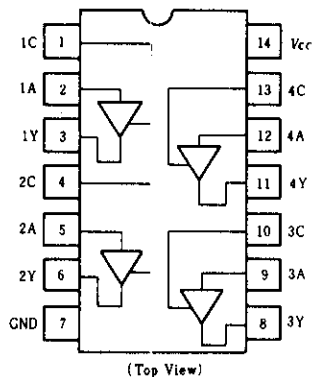
■ SWITCHING CHARACTERISTICS ($V_{CC}=5\text{V}, T_a=25^\circ\text{C}$)

Item	Symbol	Test Conditions	min	typ	max	Unit
Propagation delay time	t_{PLH}	$C_L=45\text{pF}$ $R_L=667\Omega$	—	9	15	ns
	t_{PHL}		—	7	18	
Output enable time	t_{ZH}		—	12	20	
	t_{ZL}		—	15	25	
Output disable time	t_{HZ}	$C_L=5\text{pF}$	—	—	20	
	t_{LZ}	$R_L=667\Omega$	—	—	20	

Note) Refer to Test Circuit and Waveform of the Common Item

HD74LS126A ● Quadruple Bus Buffer Gates (with three-state outputs)

■ PIN ARRANGEMENT



■ FUNCTION TABLE

Inputs		Outputs
C	A	Y
L	X	Z
H	H	H
H	L	L

Note) H; high level,
L; low level,
X; irrelevant
Z; off (high-impedance) state
of a 3-state output

■ RECOMMENDED OPERATING CONDITIONS

Item	Symbol	min	typ	max	Unit
High level output current	I_{OH}	—	—	-2.6	mA
Low level output current	I_{OL}	—	—	24	mA

■ ELECTRICAL CHARACTERISTICS ($T_a = -20 \sim +75^\circ\text{C}$)

Item	Symbol	Test Conditions	min	typ*	max	Unit	
Input voltage	V_{IH}		2.0	—	—	V	
	V_{IL}		—	—	0.8		
Output voltage	V_{OH}	$V_{CC}=4.75\text{V}, V_{IH}=2\text{V}, V_{IL}=0.8\text{V}, I_{OH}=-2.6\text{mA}$	2.4	—	—	V	
	V_{OL}	$V_{CC}=4.75\text{V}, V_{IH}=2\text{V}, V_{IL}=0.8\text{V}$	$I_{OL}=24\text{mA}$	—	—		0.5
			$I_{OL}=12\text{mA}$	—	—		0.4
Off-state output current	I_{OZH}	$V_{CC}=5.25\text{V}, V_{IH}=2\text{V}, V_{OL}=2.4\text{V}$	—	—	20	μA	
	I_{OZL}	$V_{IL}=0.8\text{V}, V_{OH}=0.4\text{V}$	—	—	-20		
Input current	I_{IH}	$V_{CC}=5.25\text{V}, V_{IH}=2.7\text{V}$	—	—	20	μA	
	I_{IL}	$V_{CC}=5.25\text{V}, V_I=0.4\text{V}$	A input	—	—	-0.4	mA
			C input	—	—	-0.4	
I_I	$V_{CC}=5.25\text{V}, V_I=7\text{V}$	—	—	0.1	mA		
Short-circuit output current	I_{OS}	$V_{CC}=5.25\text{V}$	-40	—	-225	mA	
Supply current	I_{CC}^{**}	$V_{CC}=5.25\text{V}$	—	12	22	mA	
Input clamp voltage	V_{IK}	$V_{CC}=4.75\text{V}, I_{IN}=-18\text{mA}$	—	—	-1.5	V	

* $V_{CC}=5\text{V}, T_a=25^\circ\text{C}$

** I_{CC} is measured with the A and C input grounded.

HD74LS126A

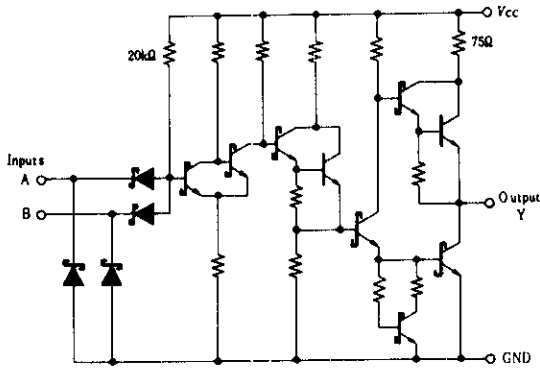
■ SWITCHING CHARACTERISTICS ($V_{CC}=5V$, $T_a=25^{\circ}C$)

Item	Symbol	Test Conditions	min	typ	max	Unit
Propagation delay time	t_{PLH}	$C_L = 45pF$ $R_L = 667\Omega$	—	9	15	ns
	t_{PHL}		—	8	18	
Output enable time	t_{ZH}	$C_L = 5pF$ $R_L = 667\Omega$	—	16	25	ns
	t_{ZL}		—	21	35	
Output disable time	t_{HZ}	$C_L = 5pF$ $R_L = 667\Omega$	—	—	25	ns
	t_{LZ}		—	—	25	

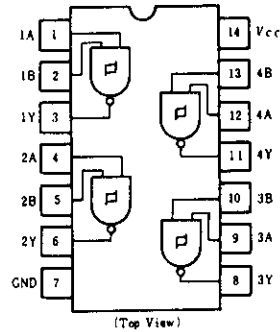
Note) Refer to Test Circuit and Waveform of the Common Item.

HD74LS132 ● Quadruple 2-input Positive NAND Schmitt-triggers

■ CIRCUIT SCHEMATIC (1/4)



■ PIN ARRANGEMENT



■ ELECTRICAL CHARACTERISTICS (Ta = -20 ~ +75°C)

Item	Symbol	Test Conditions	min	typ*	max	Unit	
Input threshold voltage	V_{T^+}	$V_{CC}=5V$	1.4	1.6	1.9	V	
	V_{T^-}	$V_{CC}=5V$	0.5	0.7	1.0	V	
Hysteresis	$V_{T^+} - V_{T^-}$	$V_{CC}=5V$	0.4	0.9	—	V	
Output voltage	V_{OH}	$V_{CC}=4.75V, I_{OH} = -400\mu A, V_I = 0.5V$	2.7	—	—	V	
	V_{OL}	$V_{CC}=4.75V, V_I = 1.9V$	$I_{OL} = 8mA$	—	—	0.5	V
			$I_{OL} = 4mA$	—	—	0.4	
Input threshold current	I_{T^+}	$V_{CC}=5V, V_I = V_{T^+}$	—	-0.14	—	mA	
	I_{T^-}	$V_{CC}=5V, V_I = V_{T^-}$	—	-0.18	—	mA	
Input current	I_{IH}	$V_{CC}=5.25V, V_I = 2.7V$	—	—	20	μA	
	I_{IL}	$V_{CC}=5.25V, V_I = 0.4V$	—	—	-0.4	mA	
	I_I	$V_{CC}=5.25V, V_I = 7V$	—	—	0.1	mA	
Short-circuit output current	I_{OS}	$V_{CC}=5.25V$	-20	—	-100	mA	
Supply current	I_{CCH}	$V_{CC}=5.25V$	—	5.9	11	mA	
	I_{CCL}	$V_{CC}=5.25V$	—	8.2	14	mA	
Input clamp voltage	V_{IK}	$V_{CC}=4.75V, I_{IN} = -18mA$	—	—	-1.5	V	

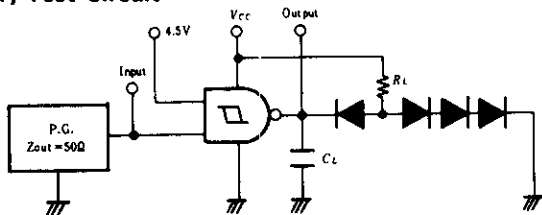
* $V_{CC}=5V, T_a=25^\circ C$

■ SWITCHING CHARACTERISTICS (VCC=5V, Ta=25°C)

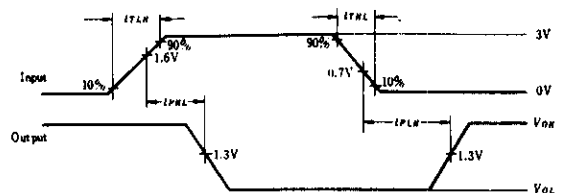
Item	Symbol	Test Conditions	min	typ	max	Unit
Propagation delay time	t_{PLH}	$C_L = 15pF, R_L = 2k\Omega$	—	15	22	ns
	t_{PHL}		—	15	22	ns

■ TESTING METHOD

1) Test Circuit



Waveform



- Notes)
- C_L includes probe and jig capacitance.
 - All diodes are 1S2074 (P).
 - Input pulse: $t_{TLH} \leq 15ns, t_{THL} \leq 6ns, PRR = 1MHz, \text{duty cycle } 50\%$.

HD74LS136

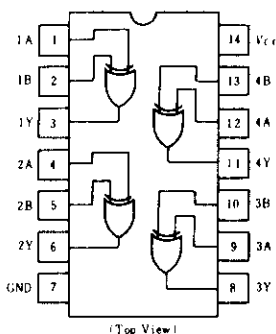
●Quadruple 2-input Exclusive-OR Gates (with open collector outputs)

FUNCTION TABLE

Inputs		Output
A	B	Y
L	L	L
L	H	H
H	L	H
H	H	L

H; high level, L; low level, X; irrelevant.

PIN ARRANGEMENT



RECOMMENDED OPERATING CONDITIONS

Item	Symbol	min	typ	max	Unit
High level output voltage	V_{OH}	—	—	5.5	V
Low level output current	I_{OL}	—	—	8	mA

ELECTRICAL CHARACTERISTICS ($T_a = -20 \sim +75^\circ\text{C}$)

Item	Symbol	Test Conditions	min	typ*	max	Unit	
Input voltage	V_{IH}		2.0	—	—	V	
	V_{IL}		—	—	0.8	V	
Output current	I_{OH}	$V_{CC}=4.75\text{V}, V_{IH}=2\text{V}, V_{IL}=0.8\text{V}, V_{OH}=5.5\text{V}$	—	—	100	μA	
Output voltage	V_{OL}	$V_{CC}=4.75\text{V}, V_{IH}=2\text{V}, V_{IL}=0.8\text{V}$	$I_{OL}=4\text{mA}$	—	—	0.4	V
			$I_{OL}=8\text{mA}$	—	—	0.5	
Input current	I_{IH}	$V_{CC}=5.25\text{V}, V_I=2.7\text{V}$	—	—	40	μA	
	I_{IL}	$V_{CC}=5.25\text{V}, V_I=0.4\text{V}$	—	—	-0.8	mA	
	I_I	$V_{CC}=5.25\text{V}, V_I=7\text{V}$	—	—	0.2	mA	
Supply current**	I_{CC}	$V_{CC}=5.25\text{V}$	—	6.1	10	mA	
Input clamp voltage	V_{IK}	$V_{CC}=4.75\text{V}, I_{IN}=-18\text{mA}$	—	—	-1.5	V	

* $V_{CC}=5\text{V}, T_a=25^\circ\text{C}$

** I_{CC} is measured with one input of each gate at 4.5V, the other inputs grounded, and the outputs open.

SWITCHING CHARACTERISTICS ($V_{CC}=5\text{V}, T_a=25^\circ\text{C}$)

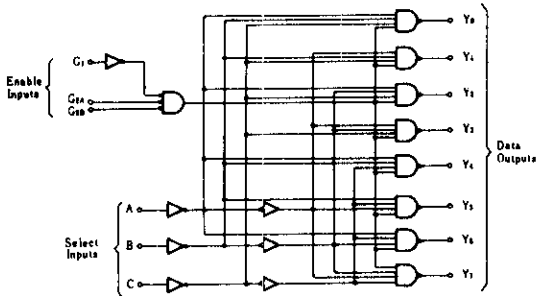
Item	Symbol	Inputs	Test Conditions	min	typ	max	Unit	
Propagation delay time	t_{PLH}	A or B	$C_L=15\text{pF}, R_L=2\text{k}\Omega$	—	18	30	ns	
	t_{PHL}							Other inputs "L"
	t_{PLH}	A or B		Other inputs "H"	—	18	30	
	t_{PHL}							

Note) Refer to Test Circuit and Waveform of the Common Item

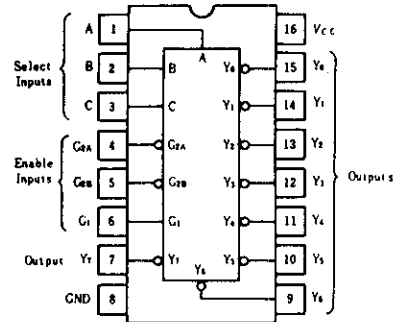
HD74LS138 ● 3-Line-to-8-Line Decoders/Demultiplexers

The HD74LS138 decodes one-of-eight line dependent on the conditions at the three binary select inputs and the three enable inputs. Two active-low and one active-high enable inputs reduce the need for external gates or inverters when expanding. A 24-line decoder can be implemented without external inverters and a 32-line decoder requires only one inverter. An enable input can be used as a data input for demultiplexing applications.

■ BLOCK DIAGRAM



■ PIN ARRANGEMENT



■ FUNCTION TABLE

Inputs					Outputs							
Enable		Select			Y ₀	Y ₁	Y ₂	Y ₃	Y ₄	Y ₅	Y ₆	Y ₇
G ₁	G ₂ *	C	B	A								
×	H	×	×	×	H	H	H	H	H	H	H	H
L	×	×	×	×	H	H	H	H	H	H	H	H
H	L	L	L	L	L	H	H	H	H	H	H	H
H	L	L	L	H	H	L	H	H	H	H	H	H
H	L	L	H	L	H	H	L	H	H	H	H	H
H	L	L	H	H	H	H	L	H	H	H	H	H
H	L	H	L	L	H	H	H	L	H	H	H	H
H	L	H	L	H	H	H	H	H	L	H	H	H
H	L	H	H	L	H	H	H	H	H	L	H	H
H	L	H	H	H	H	H	H	H	H	H	L	L

H: high level, L: low level, X: irrelevant
 *: $G_2 = G_{2A} + G_{2B}$

■ ELECTRICAL CHARACTERISTICS ($T_a = -20 \sim +75^\circ\text{C}$)

Item	Symbol	Test Conditions	min	typ*	max	Unit	
Input voltage	V_{IH}		2.0	—	—	V	
	V_{IL}		—	—	0.8	V	
Output voltage	V_{OH}	$V_{CC}=4.75\text{V}, V_{IH}=2\text{V}, V_{IL}=0.8\text{V}, I_{OH}=-400\mu\text{A}$	2.7	—	—	V	
	V_{OL}	$V_{CC}=4.75\text{V}, V_{IH}=2\text{V}, V_{IL}=0.8\text{V}$	$I_{OL}=4\text{mA}$	—	—	0.4	V
			$I_{OL}=8\text{mA}$	—	—	0.5	
Input current	I_{IH}	$V_{CC}=5.25\text{V}, V_I=2.7\text{V}$	—	—	20	μA	
	I_{IL}	$V_{CC}=5.25\text{V}, V_I=0.4\text{V}$	—	—	-0.4	mA	
	I_I	$V_{CC}=5.25\text{V}, V_I=7\text{V}$	—	—	0.1	mA	
Short-circuit output current	I_{OS}	$V_{CC}=5.25\text{V}$	-20	—	-100	mA	
Supply current	I_{CC}	$V_{CC}=5.25\text{V}, \text{Outputs enabled and open}$	—	6.3	10	mA	
Input clamp voltage	V_{IK}	$V_{CC}=4.75\text{V}, I_{IN}=-18\text{mA}$	—	—	-1.5	V	

* $V_{CC}=5\text{V}, T_a=25^\circ\text{C}$

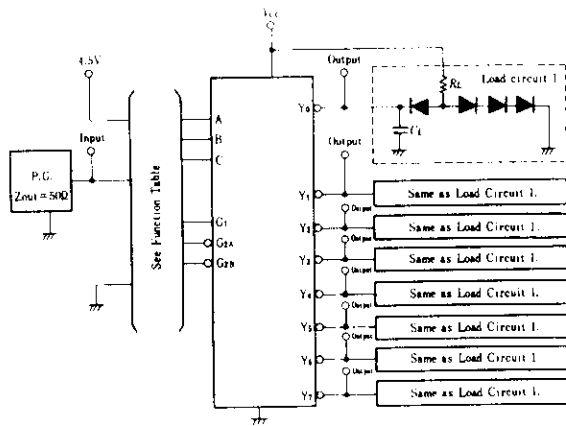
HD74LS138

SWITCHING CHARACTERISTICS ($V_{CC}=5V$, $T_a=25^\circ C$)

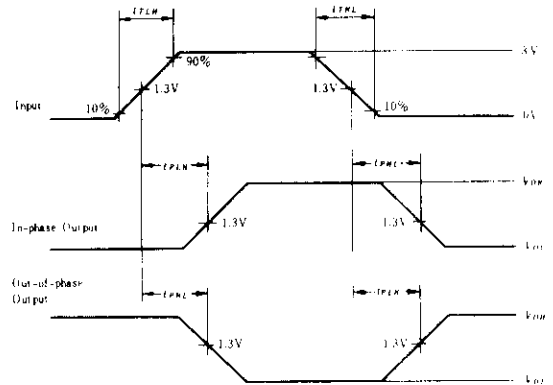
Item	Symbol	Inputs	Output	Levels of delay	Test Conditions	min	typ	max	Unit
Propagation delay time	t_{PLH}	Binary	Y	2	$C_L = 15pF$ $R_L = 2k\Omega$	—	13	20	ns
	t_{PHL}					—	27	41	ns
	t_{PLH}	Select A, B, C		3		—	18	27	ns
	t_{PHL}					—	26	39	ns
	t_{PLH}	Enable G_{2A}, G_{2B}	Y	2		—	12	18	ns
	t_{PHL}					—	21	32	ns
	t_{PLH}	Enable G_1		3		—	17	26	ns
	t_{PHL}					—	25	38	ns

TESTING METHOD

1) Test Circuit



Waveform



- Notes) 1. C_L includes probe and jig capacitance.
 2. All diodes are 1S2074 (H).
 3. Input pulse: $t_{TLH} \leq 15ns$, $t_{THL} \leq 6ns$,
 $PRR = 1MHz$, duty cycle 50%.

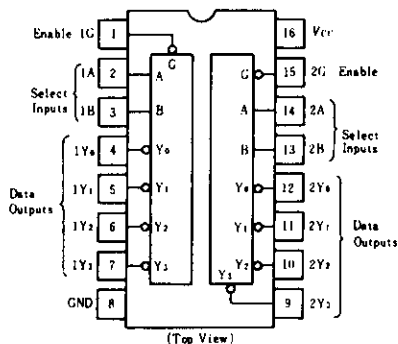
RELATION BETWEEN INPUT AND OUTPUT TO LEVELS OF DELAY

Inputs	Outputs							
	2 levels of delay				3 levels of delay			
A	Y_0	Y_2	Y_4	Y_6	Y_1	Y_3	Y_5	Y_7
B	Y_0	Y_1	Y_4	Y_5	Y_2	Y_3	Y_6	Y_7
C	Y_0	Y_1	Y_2	Y_3	Y_4	Y_5	Y_6	Y_7
G_1	$Y_0 \sim Y_7$							
G_{2A}, G_{2B}	$Y_0 \sim Y_7$							

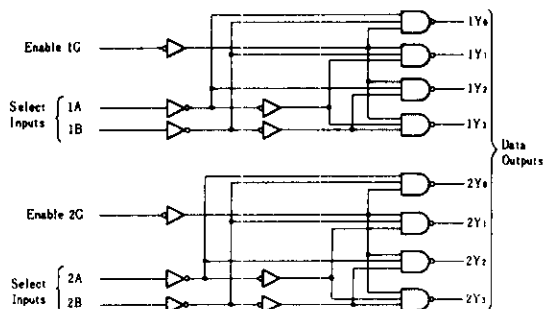
HD74LS139 • Dual 2-line-to-4-line Decoders/Demultiplexers

The HD74LS139 comprises two individual two-line-to-four-line decoder in a single package. The active-low enable input can be used as a data line in demultiplexing applications.

■ PIN ARRANGEMENT



■ BLOCK DIAGRAM



■ FUNCTION TABLE

Inputs			Outputs			
Enable	Select		Y ₀	Y ₁	Y ₂	Y ₃
G	B	A	Y ₀	Y ₁	Y ₂	Y ₃
H	X	X	H	H	H	H
L	L	L	L	H	H	H
L	L	H	H	L	H	H
L	H	L	H	H	L	H
L	H	H	H	H	H	L

H; high level, L; low level, X; irrelevant

■ ELECTRICAL CHARACTERISTICS (T_a = -20 ~ +75°C)

Item	Symbol	Test Conditions	min	typ*	max	Unit
Input voltage	V _{IH}		2.0	—	—	V
	V _{IL}		—	—	0.8	V
Output voltage	V _{OH}	V _{CC} =4.75V, V _{IH} =2V, V _{IL} =0.8V, I _{OH} =-400μA	2.7	—	—	V
	V _{OL}	V _{CC} =4.75V, V _{IH} =2V, V _{IL} =0.8V				
Input current	I _I	V _{CC} =5.25V, V _I =7V	—	—	0.1	mA
	I _{IH}	V _{CC} =5.25V, V _I =2.7V	—	—	20	μA
	I _{IL}	V _{CC} =5.25V, V _I =0.4V	—	—	-0.4	mA
Short-circuit output current	I _{OS}	V _{CC} =5.25V	-5	—	-42	mA
Supply current	I _{CC}	V _{CC} =5.25V, Outputs enabled and open	—	6.8	11	mA
Input clamp voltage	V _{IK}	V _{CC} =4.75V, I _{IN} =-18mA	—	—	-1.5	V

* V_{CC}=5V, T_a=25°C

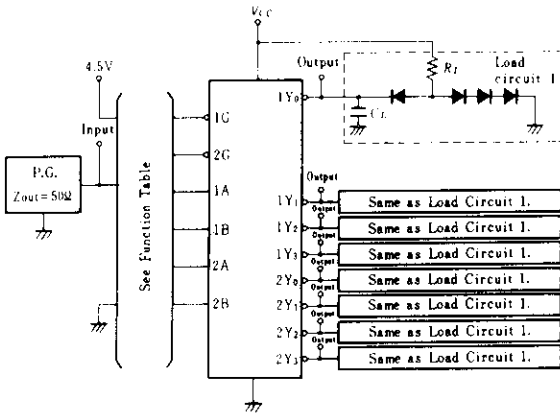
■ SWITCHING CHARACTERISTICS (V_{CC}=5V, T_a=25°C)

Item	Symbol	Inputs	Outputs	Levels of delay	Test Conditions	min	typ	max	Unit
Propagation delay time	t _{PLH}	Binary	1Y ₀ ~1Y ₃	2	C _L =15pF R _L =2kΩ	—	13	20	ns
	t _{PHL}	Select				—	22	33	ns
	t _{PLH}	1A, 1B	2Y ₀ ~2Y ₃	3		—	18	29	ns
	t _{PHL}	2A, 2B				—	25	38	ns
	t _{PLH}	Enable	1Y ₀ ~1Y ₃	2		—	16	24	ns
	t _{PHL}	1G, 2G	2Y ₀ ~2Y ₃			—	21	32	ns

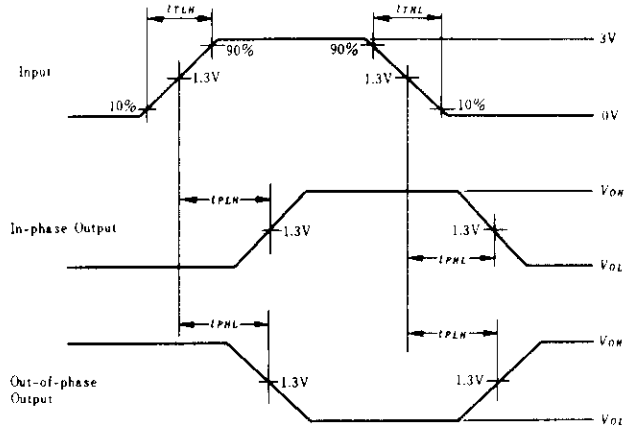
HD74LS139

■ TESTING METHOD

1) Test Circuit



Waveform

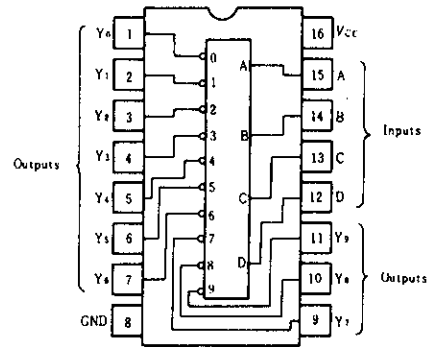


- Notes)
1. Input pulse: $t_{TLH} \leq 15\text{ns}$, $t_{THL} \leq 6\text{ns}$, $PRR=1\text{MHz}$, duty cycle=50%
 2. C_L includes probe and jig capacitance.
 3. All diodes are 1S2074 (H).

HD74LS145 • BCD-to-Decimal Decoders/Drivers (with 15V outputs)

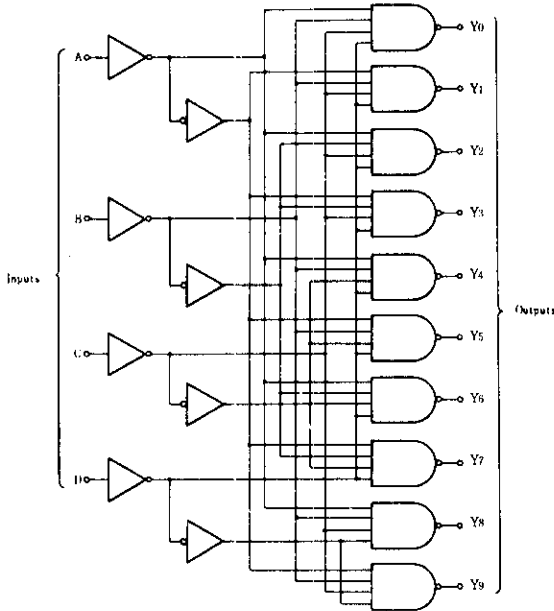
This BCD-to-decimal decoder/driver consists of eight inverters and ten four-input NAND gates. The inverters are connected in pairs to make BCD input data available for decoding by the NAND gates. Full decoding of valid BCD input logic ensures that all outputs remain off for all invalid binary input conditions. This decoder features high-performance, n-p-n output transistors designed for use as indicator/relay drivers or as open-collector logic-circuit drivers.

■ PIN ARRANGEMENT



(Top View)

■ BLOCK DIAGRAM



■ FUNCTION TABLE

No.	Inputs				Outputs									
	D	C	B	A	0	1	2	3	4	5	6	7	8	9
0	L	L	L	L	L	H	H	H	H	H	H	H	H	H
1	L	L	L	H	H	L	H	H	H	H	H	H	H	H
2	L	L	H	L	H	H	L	H	H	H	H	H	H	H
3	L	L	H	H	H	H	H	L	H	H	H	H	H	H
4	L	H	L	L	H	H	H	H	L	H	H	H	H	H
5	L	H	L	H	H	H	H	H	H	L	H	H	H	H
6	L	H	H	L	H	H	H	H	H	H	L	H	H	H
7	L	H	H	H	H	H	H	H	H	H	H	L	H	H
8	H	L	L	L	H	H	H	H	H	H	H	H	L	H
9	H	L	L	H	H	H	H	H	H	H	H	H	H	L
INVALID	H	L	H	L	H	H	H	H	H	H	H	H	H	H
	H	L	H	H	H	H	H	H	H	H	H	H	H	H
	H	H	L	L	H	H	H	H	H	H	H	H	H	H
	H	H	L	H	H	H	H	H	H	H	H	H	H	H
	H	H	H	L	H	H	H	H	H	H	H	H	H	H

HD74LS145

RECOMMENDED OPERATING CONDITIONS

Item	Symbol	min	typ	max	Unit
Off-state output voltage	$V_{O(off)}$	—	—	15	V
Low level output current	I_{OL}	—	—	80	mA

ELECTRICAL CHARACTERISTICS ($T_a = -20 \sim +75^\circ\text{C}$)

Item	Symbol	Test Conditions	min	typ*	max	Unit	
Input voltage	V_{IH}		2.0	—	—	V	
	V_{IL}		—	—	0.8	V	
Off-state output current	$I_{O(off)}$	$V_{CC} = 4.75\text{V}, V_{IH} = 2\text{V}, V_{IL} = 0.8\text{V}, V_{O(off)} = 15\text{V}$	—	—	250	μA	
On-state output voltage	$V_{O(on)}$	$V_{CC} = 4.75\text{V}, V_{IH} = 2\text{V}, V_{IL} = 0.8\text{V}$	$I_{OL} = 12\text{mA}$	—	—	0.4	V
			$I_{OL} = 24\text{mA}$	—	—	0.5	
			$I_{OL} = 80\text{mA}$	—	—	3.0	
Input current	I_{IH}	$V_{CC} = 5.25\text{V}, V_I = 2.7\text{V}$	—	—	20	μA	
	I_{IL}	$V_{CC} = 5.25\text{V}, V_I = 0.4\text{V}$	—	—	-0.4	mA	
	I_I	$V_{CC} = 5.25\text{V}, V_I = 7\text{V}$	—	—	0.1	mA	
Supply current **	I_{CC}	$V_{CC} = 5.25\text{V}$	—	7	13	mA	
Input clamp voltage	V_{IK}	$V_{CC} = 4.75\text{V}, I_{IK} = -18\text{mA}$	—	—	-1.5	V	

* $V_{CC} = 5\text{V}, T_a = 25^\circ\text{C}$

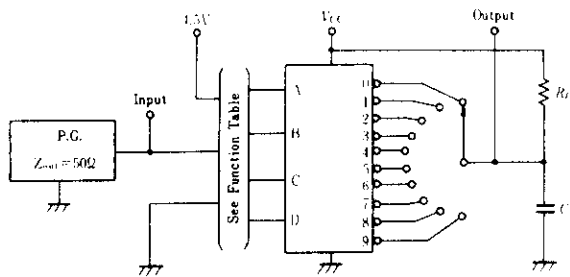
** I_{CC} is measured with all outputs open and all inputs grounded.

SWITCHING CHARACTERISTICS ($V_{CC} = 5\text{V}, T_a = 25^\circ\text{C}$)

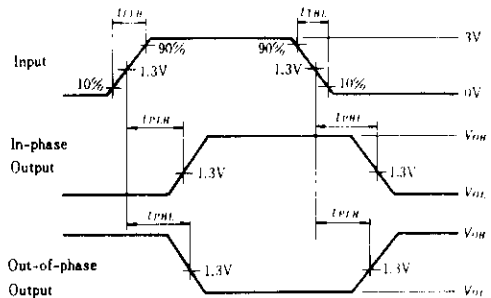
Item	Symbol	Test Conditions	min	typ	max	Unit
Propagation delay time	t_{PLH}	$C_L = 45\text{pF}, R_L = 665\Omega$	—	—	50	ns
	t_{PHL}		—	—	50	

TESTING METHOD

1) Test Circuit



Waveform

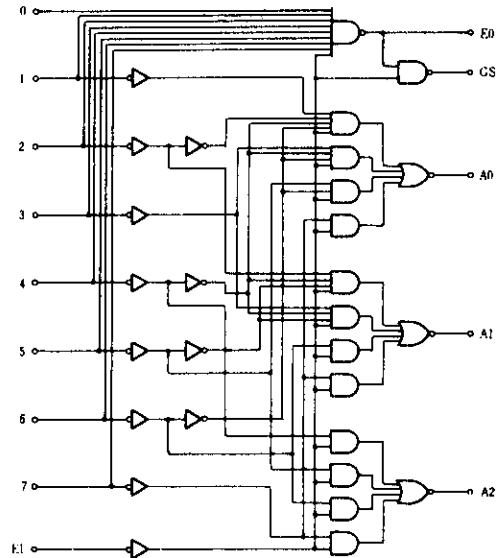


Notes) 1. Input pulse; $t_{TLH} \leq 15\text{ns}, t_{THL} \leq 6\text{ns}, \text{PRR} = 1\text{MHz}, \text{duty cycle} = 50\%$

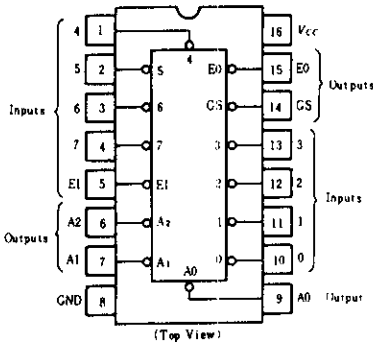
HD74LS148 ● 8-line-to-3-line Octal Priority Encoders

The HD74LS148 encodes eight data lines to three-line (4-2-1) binary (octal). Cascading circuitry (enable input EI and enable output EO) has been provided to allow octal expansion without the need for external circuitry. The data inputs and outputs are active at the low logic level.

■ BLOCK DIAGRAM



■ PIN ARRANGEMENT



■ FUNCTION TABLE

EI	Inputs									Outputs				
	0	1	2	3	4	5	6	7	A2	A1	A0	CS	EO	
H	X	X	X	X	X	X	X	X	H	H	H	H	H	
L	H	H	H	H	H	H	H	H	H	H	H	H	L	
L	X	X	X	X	X	X	X	L	L	L	L	L	H	
L	X	X	X	X	X	X	L	H	L	L	H	L	H	
L	X	X	X	X	L	H	H	H	L	H	H	L	H	
L	X	X	L	H	H	H	H	H	H	L	L	L	H	
L	X	L	H	H	H	H	H	H	H	H	L	L	H	
L	L	H	H	H	H	H	H	H	H	H	H	L	H	

H; high level, L; low level, X; irrelevant

■ ELECTRICAL CHARACTERISTICS ($T_a = -20 \sim +75^\circ\text{C}$)

Item	Symbol	Test Conditions	min	typ*	max	Unit	
Input voltage	V_{IH}		2.0	—	—	V	
	V_{IL}		—	—	0.8	V	
Output voltage	V_{OH}	$V_{CC}=4.75\text{V}, V_{IH}=2\text{V}, V_{IL}=0.8\text{V}, I_{OH}=-400\mu\text{A}$	2.7	—	—	V	
	V_{OL}	$V_{CC}=4.75\text{V}, V_{IH}=2\text{V}, V_{IL}=0.8\text{V}$	—	—	0.4	V	
Input current	1~7 Inputs	I_{IH}	$V_{CC}=5.25\text{V}, V_I=2.7\text{V}$	—	—	40	μA
				—	—	20	
	1~7 Inputs	I_{IL}	$V_{CC}=5.25\text{V}, V_I=0.4\text{V}$	—	—	-0.8	mA
				—	—	-0.4	
	1~7 Inputs	I_I	$V_{CC}=5.25\text{V}, V_I=7\text{V}$	—	—	0.2	mA
—				—	0.1		
Short-circuit output current	I_{OS}	$V_{CC}=5.25\text{V}$	-20	—	-100	mA	
Supply current **	I_{CC}	$V_{CC}=5.25\text{V}$	Condition 1	—	12	20	mA
			Condition 2	—	10	17	
Input clamp voltage	V_{IK}	$V_{CC}=4.75\text{V}, I_{IN}=-18\text{mA}$	—	—	-1.5	V	

* $V_{CC}=5\text{V}, T_a=25^\circ\text{C}$

** The condition 1 is measured with inputs 7 and EI grounded, other inputs and outputs open, the condition 2 is measured with all inputs and outputs open.

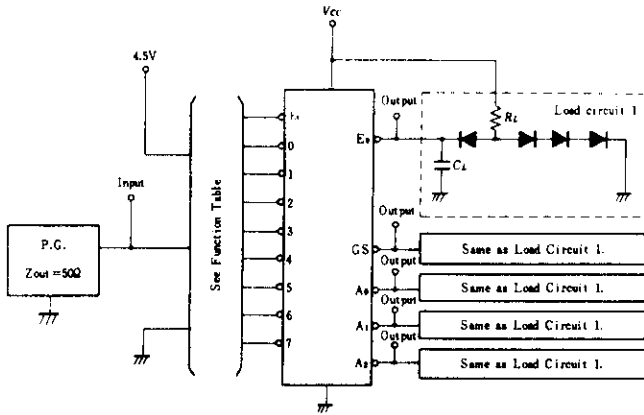
HD74LS148

SWITCHING CHARACTERISTICS ($V_{CC}=5V, T_a=25^{\circ}C$)

Item	Symbol	Inputs	Outputs	Output Waveforms	Test Conditions	min	typ	max	Unit
Propagation delay time	t_{PLH}	0~7	A_0, A_1 or A_2	In-phase	$C_L=15pF$ $R_L=2k\Omega$	—	14	18	ns
	t_{PHL}			Output		—	15	25	
	t_{PLH}	0~7	A_0, A_1 or A_2	Out-of-phase		—	20	36	ns
	t_{PHL}			Output		—	16	29	
	t_{PLH}	0~7	EO	Out-of-phase		—	7	18	ns
	t_{PHL}			Output		—	25	40	
	t_{PLH}	0~7	GS	In-phase		—	35	55	ns
	t_{PHL}			Output		—	9	21	
	t_{PLH}	EI	A_0, A_1 or A_2	In-phase		—	16	25	ns
	t_{PHL}			Output		—	12	25	
	t_{PLH}	EI	GS	In-phase		—	12	17	ns
	t_{PHL}			Output		—	14	36	
	t_{PLH}	EI	EO	In-phase		—	12	21	ns
	t_{PHL}			Output		—	23	35	

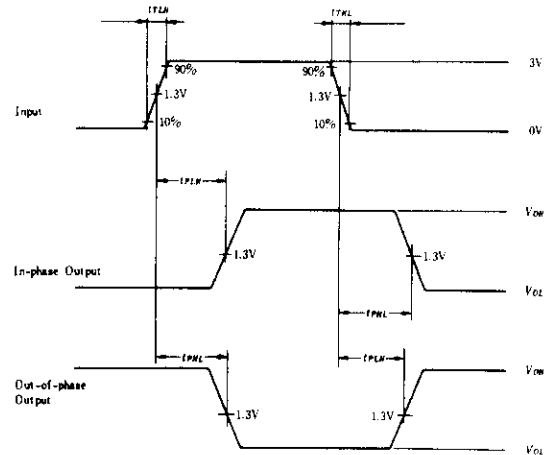
TESTING METHOD

1) Test Circuit



- Notes) 1. C_L includes probe and jig capacitance.
2. All diodes are 1S2074 (H).

Waveform

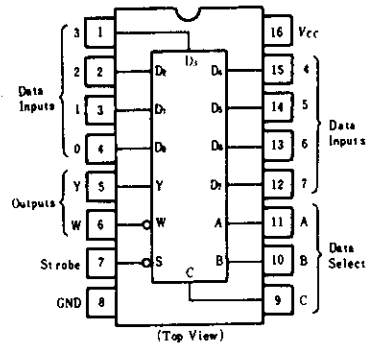


Input pulse: $t_{TLH} \leq 15ns, t_{THL} \leq 6ns,$
 $PRR=1MHz, \text{ duty cycle } 50\%.$

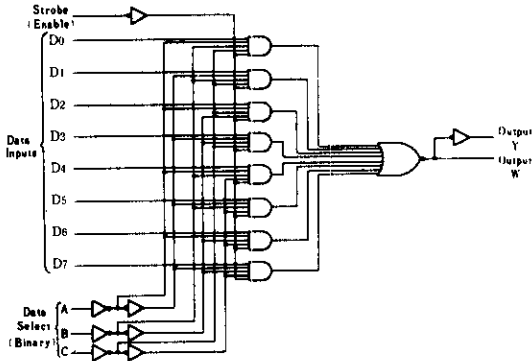
HD74LS151 • 1-of-8 Data Selectors/Multiplexers (with strobe)

This data selector/multiplexer contains full-on chip binary decoding to select the desired data source. The HD74LS151 selects one-of-eight data sources and has a strobe input which must be at a low logic level to enable this device. A high level at the strobe forces the W output high, and the Y output low.

■ PIN ARRANGEMENT



■ BLOCK DIAGRAM



■ FUNCTION TABLE

Inputs				Outputs	
SELECT			STROBE	Y	W
C	B	A	S	Y	W
X	X	X	H	L	H
L	L	L	L	D ₀	\bar{D}_0
L	L	H	L	D ₁	\bar{D}_1
L	H	L	L	D ₂	\bar{D}_2
L	H	H	L	D ₃	\bar{D}_3
H	L	L	L	D ₄	\bar{D}_4
H	L	H	L	D ₅	\bar{D}_5
H	H	L	L	D ₆	\bar{D}_6
H	H	H	L	D ₇	\bar{D}_7

H; high level, L; low level, X; irrelevant

■ ELECTRICAL CHARACTERISTICS ($T_a = -20 \sim +75^\circ\text{C}$)

Item	Symbol	Test Conditions	min	typ*	max	Unit
Input voltage	V_{IH}		2.0	—	—	V
	V_{IL}		—	—	0.8	V
Output voltage	V_{OH}	$V_{CC} = 4.75\text{V}, V_{IH} = 2\text{V}, V_{IL} = 0.8\text{V}, I_{OH} = -400\mu\text{A}$	2.7	—	—	V
	V_{OL}	$V_{CC} = 4.75\text{V}, V_{IH} = 2\text{V}, V_{IL} = 0.8\text{V}$	—	—	0.4	V
		$I_{OL} = 4\text{mA}$	—	—	0.5	
Input current	I_I	$V_{CC} = 5.25\text{V}, V_I = 7\text{V}$	—	—	0.1	mA
	I_{IH}	$V_{CC} = 5.25\text{V}, V_I = 2.7\text{V}$	—	—	20	μA
	I_{IL}	$V_{CC} = 5.25\text{V}, V_I = 0.4\text{V}$	—	—	-0.4	mA
Short-circuit output current	I_{OS}	$V_{CC} = 5.25\text{V}$	-20	—	-100	mA
Supply current **	I_{CC}	$V_{CC} = 5.25\text{V}$	—	6.0	10.0	mA
Input clamp voltage	V_{IK}	$V_{CC} = 4.75\text{V}, I_{IN} = -18\text{mA}$	—	—	-1.5	V

* $V_{CC} = 5\text{V}, T_a = 25^\circ\text{C}$

** I_{CC} is measured with all outputs open and all inputs at 4.5V.

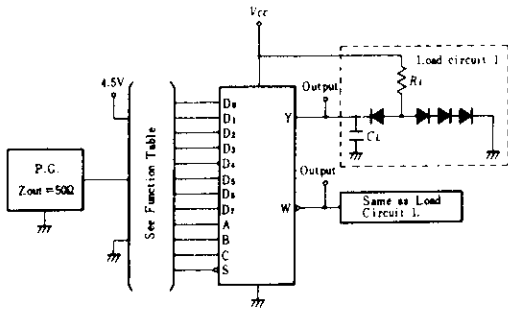
HD74LS151

SWITCHING CHARACTERISTICS ($V_{CC}=5V$, $T_a=25^{\circ}C$)

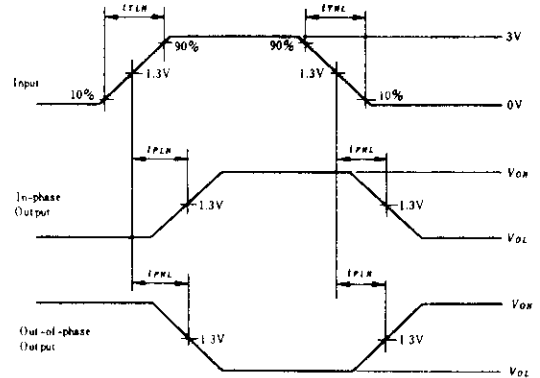
Item	Symbol	Inputs	Outputs	Test Conditions	min	typ	max	Unit
Propagation delay time	t_{PLH}	A, B, C (4 Level)	Y	$C_L = 15pF$, $R_L = 2k\Omega$	—	27	43	ns
	t_{PHL}				—	18	30	
	t_{PLH}	A, B, C (3 Level)	W		—	14	23	
	t_{PHL}				—	20	32	
	t_{PLH}	Strobe	Y		—	26	42	
	t_{PHL}				—	20	32	
	t_{PLH}	Strobe	W		—	15	24	
	t_{PHL}				—	18	30	
	t_{PLH}	D	Y		—	20	32	
	t_{PHL}				—	16	26	
	t_{PLH}	D	W		—	13	21	
	t_{PHL}				—	12	20	

TESTING METHOD

1) Test Circuit



Waveform

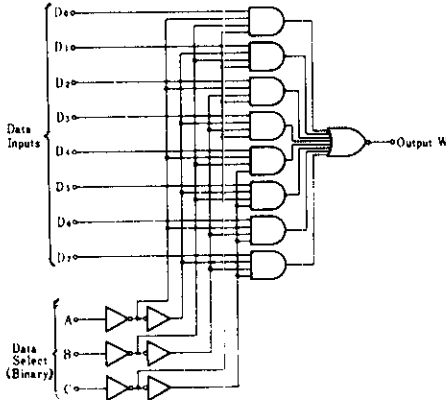


- Notes)
1. Input pulse; $t_{TLH} \leq 15ns$, $t_{THL} \leq 6ns$, $PRR=1MHz$, duty cycle=50%
 2. C_L includes probe and jig capacitance.
 3. All diodes are 1S2074 (H).

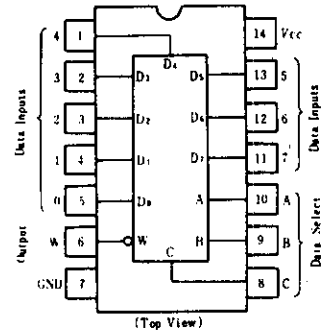
HD74LS152 • 1-of-8 Data Selectors/Multiplexers

This data selector/multiplexer contains full-on-chip binary decoding to select the desired data source. The HD74LS152 selects one-of-eight data sources.

■ BLOCK DIAGRAM



■ PIN ARRANGEMENT



■ FUNCTION TABLE

Select inputs			Output	Select inputs			Output
C	B	A	W	C	B	A	W
L	L	L	\bar{D}_0	H	L	L	\bar{D}_4
L	L	H	\bar{D}_1	H	L	H	\bar{D}_5
L	H	L	\bar{D}_2	H	H	L	\bar{D}_6
L	H	H	\bar{D}_3	H	H	H	\bar{D}_7

Notes) $\bar{D}_0 \sim \bar{D}_7$; the level of the D respective input
 H; high level
 L; low level

■ ELECTRICAL CHARACTERISTICS ($T_a = -20 \sim +75^\circ\text{C}$)

Item	Symbol	Test Conditions	min	typ*	max	Unit
Input voltage	V_{IH}		2.0	—	—	V
	V_{IL}		—	—	0.8	V
Output voltage	V_{OH}	$V_{CC} = 4.75\text{V}$, $I_{OH} = -400\mu\text{A}$, $V_{IH} = 2\text{V}$, $V_{IL} = 0.8\text{V}$	2.7	—	—	V
	V_{OL}	$V_{CC} = 4.75\text{V}$, $V_{IH} = 2\text{V}$, $V_{IL} = 0.8\text{V}$, $I_{OL} = 4\text{mA}$	—	—	0.4	V
		$I_{OL} = 8\text{mA}$	—	—	0.5	
Input current	I_{IH}	$V_{CC} = 5.25\text{V}$, $V_I = 2.7\text{V}$	—	—	20	μA
	I_{IL}	$V_{CC} = 5.25\text{V}$, $V_I = 0.4\text{V}$	—	—	-0.4	mA
	I_I	$V_{CC} = 5.25\text{V}$, $V_I = 7\text{V}$	—	—	0.1	mA
Short-circuit output current	I_{OS}	$V_{CC} = 5.25\text{V}$	-20	—	-100	mA
Supply current**	I_{CC}	$V_{CC} = 5.25\text{V}$	—	6.0	10	mA
Input clamp voltage	V_{IK}	$V_{CC} = 4.75\text{V}$, $I_{IN} = -18\text{mA}$	—	—	-1.5	V

* $V_{CC} = 5\text{V}$, $T_a = 25^\circ\text{C}$

** I_{CC} is measured with all outputs open and all inputs at 4.5V.

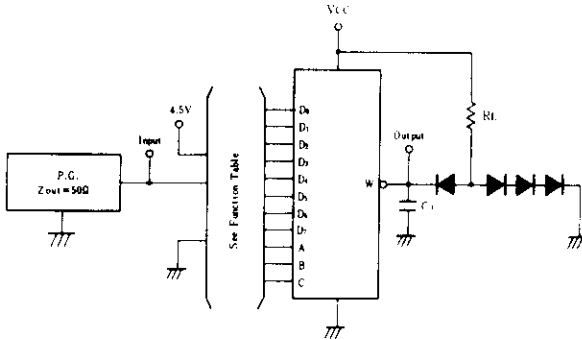
HD74LS152

SWITCHING CHARACTERISTICS ($V_{CC}=5V$, $T_a=25^\circ C$)

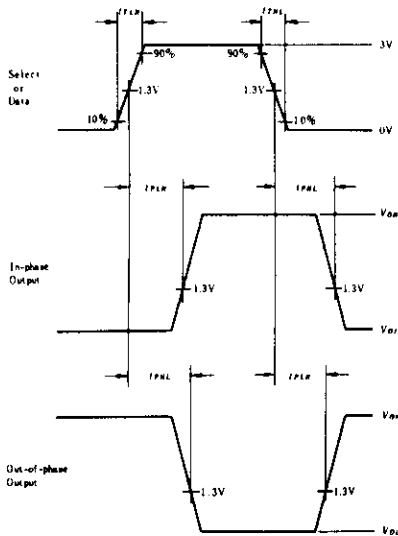
Item	Symbol	Inputs	Outputs	Test Conditions	min	typ	max	Unit
Propagation delay time	t_{PLH}	A, B, C	W	$C_L = 15pF$, $R_L = 2k\Omega$	—	14	23	ns
	t_{PHL}				—	20	32	
	t_{PLH}	Data	W		—	13	21	
	t_{PHL}				—	12	20	

TESTING METHOD

1) Test Circuit



Waveform

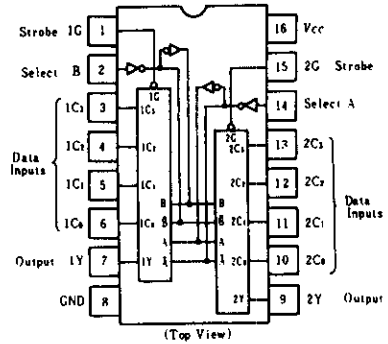


- Notes)
1. Input pulse; $t_{TLH} \leq 15ns$, $t_{THL} \leq 6ns$, $PRR=1MHz$, duty cycle=50%
 2. C_L includes probe and jig capacitance.
 3. All diodes are 1S2074 (H).

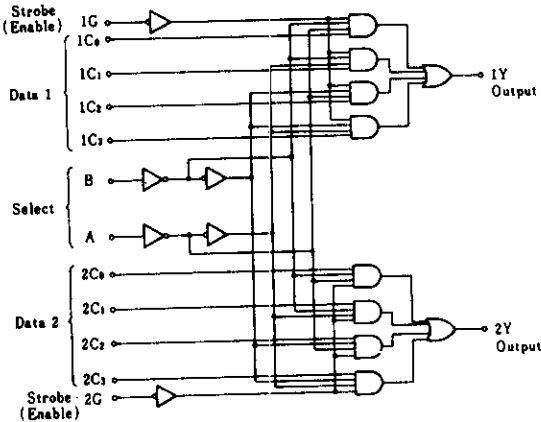
HD74LS153 ● Dual 4-Line to 1-Line Data Selectors/Multiplexers

This data selector/multiplexer contains inverters and drivers to supply fully complementary, on-chip, binary decoding data selection to the AND-OR-INVERT gates. Separate strobe inputs are provided for each of the two four-line sections.

■ PIN ARRANGEMENT



■ BLOCK DIAGRAM



■ FUNCTION TABLE

Select		Data				Strobe	Outputs
B	A	C ₀	C ₁	C ₂	C ₃	G	Y
X	X	X	X	X	X	H	L
L	L	L	X	X	X	L	L
L	L	H	X	X	X	L	H
L	H	X	L	X	X	L	L
L	H	X	H	X	X	L	H
H	L	X	X	L	X	L	L
H	L	X	X	H	X	L	H
H	H	X	X	X	L	L	L
H	H	X	X	X	H	L	H

H; high level, L; low level, X; irrelevant

■ ELECTRICAL CHARACTERISTICS (Ta = -20 ~ +75°C)

Item	Symbol	Test Conditions	min	typ*	max	Unit
Input voltage	V _{IH}		2.0	—	—	V
	V _{IL}		—	—	0.8	V
Output voltage	V _{OH}	V _{CC} =4.75V, V _{IH} =2V, V _{IL} =0.8V, I _{OH} =-400μA	2.7	—	—	V
	V _{OL}	V _{CC} =4.75V, V _{IH} =2V, V _{IL} =0.8V	—	—	0.4	V
		I _{OL} =4mA	—	—	0.5	
Input current	I _{IH}	V _{CC} =5.25V, V _I =2.7V	—	—	20	μA
	I _{IL}	V _{CC} =5.25V, V _I =0.4V	—	—	-0.4	mA
	I _I	V _{CC} =5.25V, V _I =7V	—	—	0.1	mA
Short-circuit output current	I _{OS}	V _{CC} =5.25V	-20	—	-100	mA
Supply current**	I _{CC}	V _{CC} =5.25V	—	6.2	10	mA
Input clamp voltage	V _{IK}	V _{CC} =4.75V, I _{IN} =-18mA	—	—	-1.5	V

* V_{CC}=5V, Ta=25°C

** I_{CC} is measured with all outputs open and all inputs grounded.

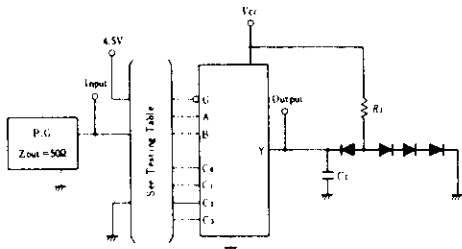
HD74LS153

SWITCHING CHARACTERISTICS ($V_{CC}=5V$, $T_a=25^\circ C$)

Item	Symbol	Inputs	Outputs	Test Conditions	min	typ	max	Unit
Propagation delay time	t_{PLH}	Data	Y	$C_L = 15pF$, $R_L = 2k\Omega$	--	10	15	ns
	t_{PHL}	Data	Y		--	17	26	ns
	t_{PLH}	Select	Y		--	19	29	ns
	t_{PHL}	Select	Y		--	25	38	ns
	t_{PLH}	Strobe	Y		--	16	24	ns
	t_{PHL}	Strobe	Y		--	21	32	ns

TESTING METHOD

1) Test Circuit



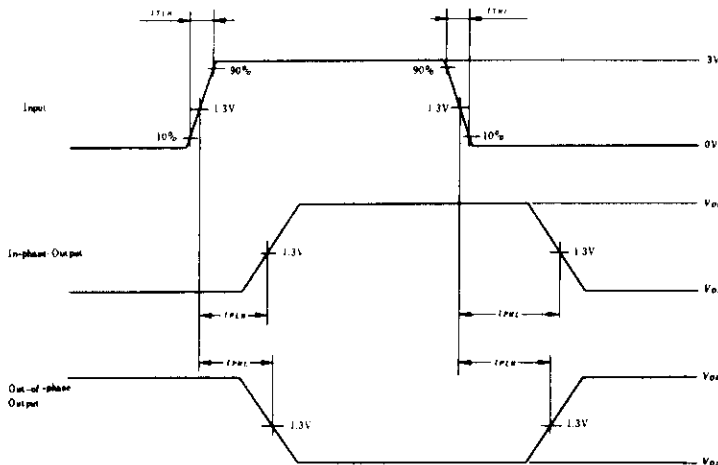
- Notes) 1. C_L includes probe and jig capacitance.
2. All diodes are 1S2074 (H).

2) Testing Table

Item	Inputs							Output	
	B	A	C_0	C_1	C_2	C_3	G	Y	
t_{PLH}	GND	GND	IN	X	X	X	GND	OUT	
	GND	4.5V	X	IN	X	X	GND	OUT	
	4.5V	GND	X	X	IN	X	GND	OUT	
	4.5V	4.5V	X	X	X	IN	GND	OUT	
t_{PHL}	GND	IN	GND	4.5V	X	X	GND	OUT	
			4.5V	GND					
	IN	GND	GND	X	4.5V	X	GND	OUT	
			4.5V		GND				
	GND	GND	4.5V	X	X	X	IN	OUT	

X: "4.5V" or "GND"

Waveform



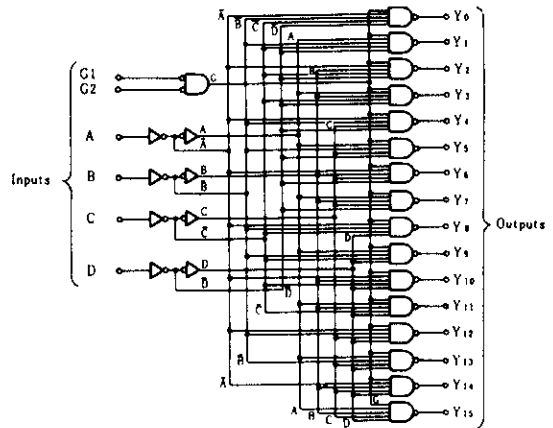
Input pulse; $t_{TLH} \leq 15ns$, $t_{THL} \leq 6ns$,
 $PRR=1MHz$, duty cycle 50%.

HD74LS154

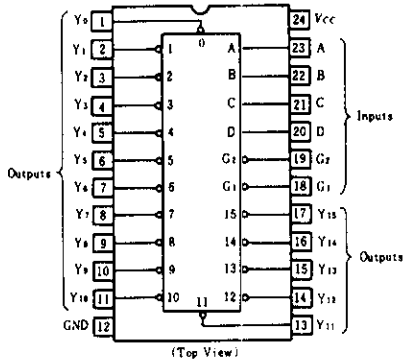
4-line-to-16-line Decoders/Demultiplexers

This decoder utilizes TTL circuitry to decode four binary-coded inputs into one of sixteen mutually exclusive outputs when both the strobe inputs, G1 and G2, are low. The demultiplexing function is performed by using the 4 input lines to address the output line, passing data from the one of the strobe inputs with the other strobe input low. When either strobe input is high, all outputs are high.

BLOCK DIAGRAM



PIN ARRANGEMENT



FUNCTION TABLE

Inputs						Outputs																
G ₁	G ₂	D	C	B	A	0	1	2	3	4	5	6	7	8	9	10	11	12	13	14	15	
L	L	L	L	L	L	L	H	H	H	H	H	H	H	H	H	H	H	H	H	H	H	H
L	L	L	L	L	H	H	L	H	H	H	H	H	H	H	H	H	H	H	H	H	H	H
L	L	L	L	H	L	H	H	L	H	H	H	H	H	H	H	H	H	H	H	H	H	H
L	L	L	L	H	H	H	H	H	L	H	H	H	H	H	H	H	H	H	H	H	H	H
L	L	L	H	L	L	H	H	H	H	H	L	H	H	H	H	H	H	H	H	H	H	H
L	L	L	H	H	L	H	H	H	H	H	H	L	H	H	H	H	H	H	H	H	H	H
L	L	L	H	H	H	H	H	H	H	H	H	H	L	H	H	H	H	H	H	H	H	H
L	L	H	L	L	L	H	H	H	H	H	H	H	H	L	H	H	H	H	H	H	H	H
L	L	H	L	H	L	H	H	H	H	H	H	H	H	H	L	H	H	H	H	H	H	H
L	L	H	H	L	L	H	H	H	H	H	H	H	H	H	H	L	H	H	H	H	H	H
L	L	H	H	L	H	H	H	H	H	H	H	H	H	H	H	H	L	H	H	H	H	H
L	L	H	H	H	L	H	H	H	H	H	H	H	H	H	H	H	H	L	H	H	H	H
L	L	H	H	H	H	L	H	H	H	H	H	H	H	H	H	H	H	H	L	H	H	H
L	L	H	H	H	H	H	H	H	H	H	H	H	H	H	H	H	H	H	H	L	H	H
L	H	X	X	X	X	H	H	H	H	H	H	H	H	H	H	H	H	H	H	H	H	H
H	L	X	X	X	X	H	H	H	H	H	H	H	H	H	H	H	H	H	H	H	H	H
H	H	X	X	X	X	H	H	H	H	H	H	H	H	H	H	H	H	H	H	H	H	H

* H; high level, L; low level, X; irrelevant

HD74LS154

■ ELECTRICAL CHARACTERISTICS ($T_a = -20 \sim +75^\circ\text{C}$)

Item	Symbol	Test Conditions	min	typ*	max	Unit
Input voltage	V_{IH}		2.0			V
	V_{IL}				0.8	V
Output voltage	V_{OH}	$V_{CC} = 4.75\text{V}, V_{IH} = 2\text{V}, V_{IL} = 0.8\text{V}, I_{OH} = -400\mu\text{A}$	2.7			V
	V_{OL}	$V_{CC} = 4.75\text{V}, V_{IH} = 2\text{V}, V_{IL} = 0.8\text{V}, I_{OL} = 4\text{mA}$ $I_{OL} = 8\text{mA}$			0.4 0.5	V
Input current	I_{IH}	$V_{CC} = 5.25\text{V}, V_i = 2.7\text{V}$			20	μA
	I_{IL}	$V_{CC} = 5.25\text{V}, V_i = 0.4\text{V}$			0.4	mA
	I_i	$V_{CC} = 5.25\text{V}, V_i = 7\text{V}$			0.1	mA
Short circuit output current	I_{OS}	$V_{CC} = 5.25\text{V}$	-20		-100	mA
Supply current**	I_{CC}	$V_{CC} = 5.25\text{V}$		9	14	mA
Input clamp voltage	V_{IK}	$V_{CC} = 4.75\text{V}, I_{IS} = 18\text{mA}$			-1.5	V

* $V_{CC} = 5\text{V}, T_a = 25^\circ\text{C}$

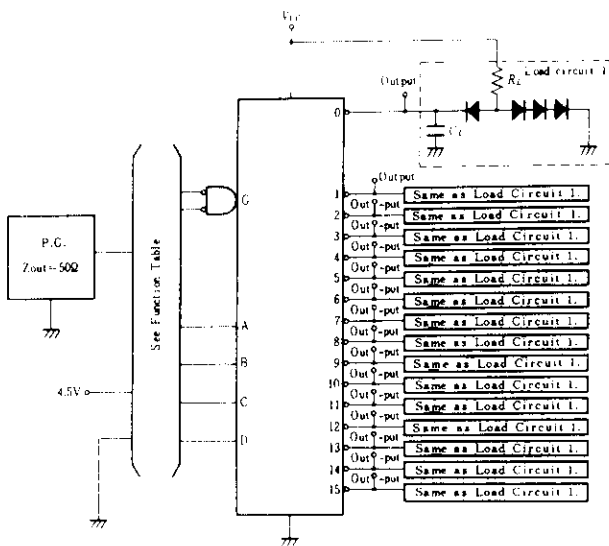
** I_{CC} is measured with all outputs open and all inputs grounded.

■ SWITCHING CHARACTERISTICS ($V_{CC} = 5\text{V}, T_a = 25^\circ\text{C}$)

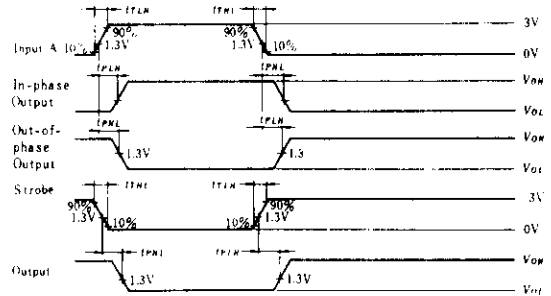
Item	Symbol	Inputs	Outputs	Test Conditions	min	typ	max	Unit
Propagation delay time	t_{PLH}	A, B, C, D	$Y_0 \sim Y_{15}$	$C_L = 15\text{pF}, R_L = 2\text{k}\Omega$		24	36	ns
	t_{PHL}	A, B, C, D	$Y_0 \sim Y_{15}$			22	33	ns
	t_{PLH}	G1, G2	$Y_0 \sim Y_{15}$			20	30	ns
	t_{PHL}	G1, G2	$Y_0 \sim Y_{15}$			18	27	ns

■ TESTING METHOD

1) Test Circuit



Waveform

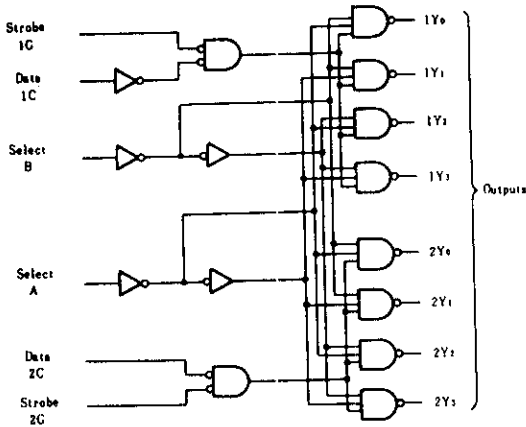


- Notes)
1. Input pulse; $t_{TLH} \leq 15\text{ns}, t_{THL} \leq 6\text{ns}, \text{PRR} = 1\text{MHz}, \text{duty cycle} = 50\%$
 2. C_L includes probe and jig capacitance.
 3. All diodes are 1S2074 (H).

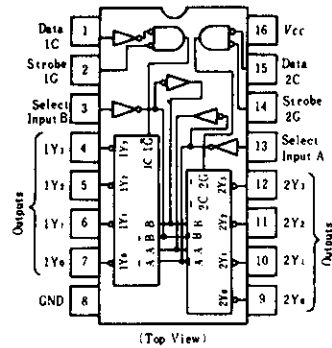
HD74LS155 ● Dual 2-line-to-4-line Decoders/Demultiplexers

This circuit features dual 1-line-to-4-line demultiplexer with individual strobes and common binary-address input. When both sections are enabled by the strobes, the common binary-address inputs sequentially select and route associated input data to the appropriate output of each section. The individual strobes permit activating or inhibiting each of the 4-bit sections as desired. Data applied to input 1C is inverted through its outputs. The inverter following the 1C data input permits use as a 3-to-8-line decoder or 1-to-8-line demultiplexer without external gating.

■ BLOCK DIAGRAM



■ PIN ARRANGEMENT



■ FUNCTION TABLE

● 2-line-to-4-line Decoder/1-line-to-4-line Demultiplexer

Inputs				Outputs			
Select		Strobe	Data	1Y ₀	1Y ₁	1Y ₂	1Y ₃
B	A	1G	1C				
X	X	H	X	H	H	H	H
L	L	L	H	L	H	H	H
L	H	L	H	H	L	H	H
H	L	L	H	H	H	L	H
H	H	L	H	H	H	H	L
X	X	X	L	H	H	H	H

Inputs				Outputs			
Select		Strobe	Data	2Y ₀	2Y ₁	2Y ₂	2Y ₃
B	A	2G	2C				
X	X	H	X	H	H	H	H
L	L	L	L	L	H	H	H
L	H	L	L	H	L	H	H
H	L	L	L	H	H	L	H
H	H	L	L	H	H	H	L
X	X	X	H	H	H	H	H

● 3-line-to-8-line Decoder/1-line-to-8-line Demultiplexer

Inputs				Outputs								
Select			Strobe	Data	0	1	2	3	4	5	6	7
C	B	A	G		2Y ₀	2Y ₁	2Y ₂	2Y ₃	1Y ₀	1Y ₁	1Y ₂	1Y ₃
X	X	X	H	H	H	H	H	H	H	H	H	H
L	L	L	L	L	H	H	H	H	H	H	H	H
L	L	H	L	H	L	H	H	H	H	H	H	H
L	H	L	L	H	H	L	H	H	H	H	H	H
L	H	H	L	H	H	H	L	H	H	H	H	H
H	L	L	L	H	H	H	H	L	H	H	H	H
H	L	H	L	H	H	H	H	H	L	H	H	H
H	H	L	L	H	H	H	H	H	H	L	H	H
H	H	H	L	H	H	H	H	H	H	H	L	H

- Notes)
1. C; input 1C and 2C connected together
 2. G; inputs 1G and 2G connected together
 3. H; high level, L; low level, X; irrelevant

HD74LS155

■ ELECTRICAL CHARACTERISTICS ($T_a = -20 \sim +75^\circ\text{C}$)

Item	Symbol	Test Conditions	min	typ*	max	Unit	
Input voltage	V_{IH}		2.0	—	—	V	
	V_{IL}		—	—	0.8	V	
Output voltage	V_{OH}	$V_{CC} = 4.75\text{V}$, $V_{IH} = 2\text{V}$, $V_{IL} = 0.8\text{V}$, $I_{OH} = -400\mu\text{A}$	2.7	—	—	V	
	V_{OL}	$V_{CC} = 4.75\text{V}$, $V_{IH} = 2\text{V}$, $V_{IL} = 0.8\text{V}$	$I_{OL} = 4\text{mA}$	—	—	0.4	V
			$I_{OL} = 8\text{mA}$	—	—	0.5	
Input current	I_i	$V_{CC} = 5.25\text{V}$, $V_i = 7\text{V}$	—	—	0.1	mA	
	I_{IH}	$V_{CC} = 5.25\text{V}$, $V_i = 2.7\text{V}$	—	—	20	μA	
	I_{IL}	$V_{CC} = 5.25\text{V}$, $V_i = 0.4\text{V}$	—	—	-0.4	mA	
Short-circuit output current	I_{OS}	$V_{CC} = 5.25\text{V}$	-5	—	-42	mA	
Supply current**	I_{CC}	$V_{CC} = 5.25\text{V}$	—	6.1	10	mA	
Input clamp voltage	V_{IK}	$V_{CC} = 4.75\text{V}$, $I_{IN} = -18\text{mA}$	—	—	-1.5	V	

* $V_{CC} = 5\text{V}$, $T_a = 25^\circ\text{C}$

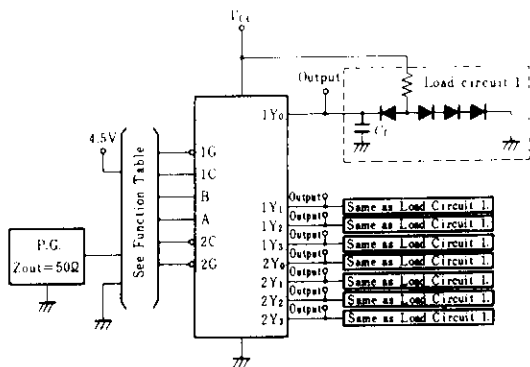
** I_{CC} is measured with outputs open, A, B, and 1C inputs at 4.5V, and 2C, 1G, and 2G inputs grounded.

■ SWITCHING CHARACTERISTICS ($V_{CC} = 5\text{V}$, $T_a = 25^\circ\text{C}$)

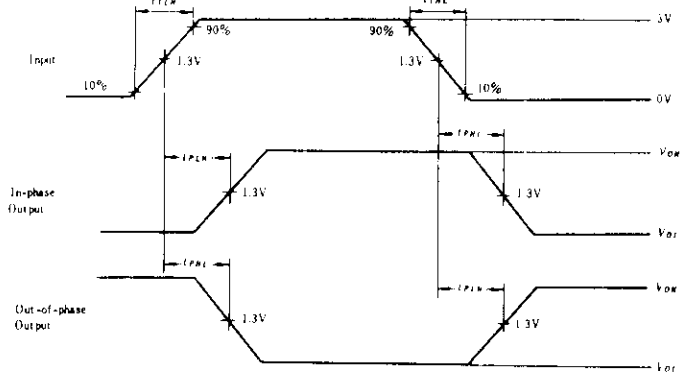
Item	Inputs	Output	Levels of logic	Test Conditions	min	typ	max	Unit
t_{PLH}	A, B, 2C	Y	2	$C_L = 15\text{pF}$, $R_i = 2\text{k}\Omega$	—	10	15	ns
t_{PHL}	1G or 2G	Y	2		—	19	30	ns
t_{PLH}	A or B	Y	3		—	17	26	ns
t_{PHL}					—	19	30	ns
t_{PLH}	1C	Y	3		—	18	27	ns
t_{PHL}					—	18	27	ns

■ TESTING METHOD

1) Test Circuit



Waveform

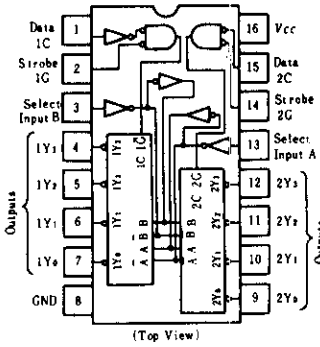


- Notes) 1. Input pulse; $t_{TLH} \leq 15\text{ns}$, $t_{THL} \leq 6\text{ns}$, $PRR = 1\text{MHz}$, duty cycle = 50%.
 2. C_L includes probe and jig capacitance.
 3. All diodes are 1S2074 (H).

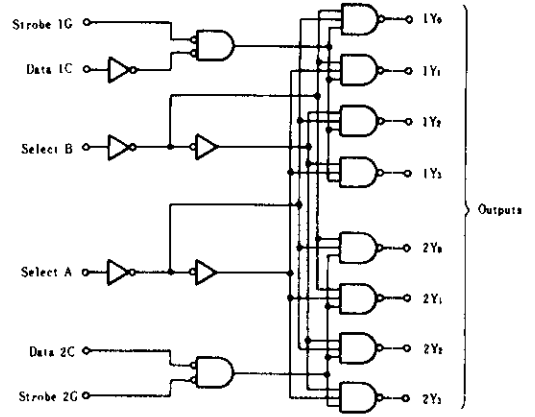
HD74LS156 ● Dual 2-line-to-4-line Decoders/Demultiplexers (with open collector outputs)

This circuit features dual 1-line-to-4-line demultiplexer with individual strobes and common binary-address inputs. When both sections are enabled by the strobes, the common binary-address inputs sequentially select and route associated input data to the appropriate output of each section. The individual strobes permit activating or inhibiting each of the 4-bit sections as desired. Data applied to input 1C is inverted through its outputs. The inverter following the 1C data input permits use as a 3-to-8-line decoder or 1-to-8-line demultiplexer without external gating.

■ PIN ARRANGEMENT



■ BLOCK DIAGRAM



■ RECOMMENDED OPERATING CONDITIONS

Item	Symbol	min	typ	max	Unit
High level output voltage	V_{OH}	—	—	5.5	V
Low level output current	I_{OL}	—	—	8	mA

■ FUNCTION TABLE

● 2-to-4-line Decoder/1-to-4-line Demultiplexer

Inputs				Outputs				Inputs				Outputs			
SELECT	STROBE	DATA		1Y0	1Y1	1Y2	1Y3	SELECT	STROBE	DATA		2Y0	2Y1	2Y2	2Y3
B	A	1G	1C					B	A	2G	2C				
X	X	H	X	H	H	H	H	X	X	H	X	H	H	H	H
L	L	L	H	L	H	H	H	L	L	L	L	L	H	H	H
L	H	L	H	H	L	H	H	L	H	L	L	H	L	H	H
H	L	L	H	H	H	L	H	H	L	L	L	H	H	L	H
H	H	L	H	H	H	H	L	H	H	L	L	H	H	H	L
X	X	X	L	H	H	H	H	X	X	X	H	H	H	H	H

● 3-to-8-line Decoder/1-to-8-line Demultiplexer

Inputs			Outputs								
SELECT	STROBE OR DATA		(0)	(1)	(2)	(3)	(4)	(5)	(6)	(7)	
C ¹⁾	B	A	G ²⁾	2Y0	2Y1	2Y2	2Y3	1Y0	1Y1	1Y2	1Y3
X	X	X	H	H	H	H	H	H	H	H	H
L	L	L	L	L	H	H	H	H	H	H	H
L	L	H	L	H	L	H	H	H	H	H	H
L	H	L	L	H	H	L	H	H	H	H	H
L	H	H	L	H	H	H	L	H	H	H	H
H	L	L	L	H	H	H	H	L	H	H	H
H	L	H	L	H	H	H	H	H	L	H	H
H	H	L	L	H	H	H	H	H	H	L	H
H	H	H	L	H	H	H	H	H	H	H	L

- Notes) 1. C; input 1C and 2C connected together
 2. G; inputs 1G and 2G connected together
 3. H; high level, L; low level, X; irrelevant

HD74LS156

■ ELECTRICAL CHARACTERISTICS ($T_a = -20 \sim +75^\circ\text{C}$)

Item	Symbol	Test Conditions	min	typ*	max	Unit	
Input voltage	V_{IH}		2.0	—	—	V	
	V_{IL}		—	—	0.8	V	
Output current	I_{OH}	$V_{CC}=4.75\text{V}, V_{IH}=2\text{V}, V_{IL}=0.8\text{V}, V_{OH}=5.5\text{V}$	—	—	100	μA	
Output voltage	V_{OL}	$V_{CC}=4.75\text{V}, V_{IH}=2\text{V}, V_{IL}=0.8\text{V}$	$I_{OL}=4\text{mA}$	—	—	0.4	V
			$I_{OL}=8\text{mA}$	—	—	0.5	
Input current	I_{IH}	$V_{CC}=5.25\text{V}, V_I=2.7\text{V}$	—	—	20	μA	
	I_{IL}	$V_{CC}=5.25\text{V}, V_I=0.4\text{V}$	—	—	-0.4	mA	
	I_I	$V_{CC}=5.25\text{V}, V_I=7\text{V}$	—	—	0.1	mA	
Supply current**	I_{CC}	$V_{CC}=5.25\text{V}$	—	6.1	10	mA	
Input clamp voltage	V_{IK}	$V_{CC}=4.75\text{V}, I_{IN}=-18\text{mA}$	—	—	-1.5	V	

* $V_{CC}=5\text{V}, T_a=25^\circ\text{C}$

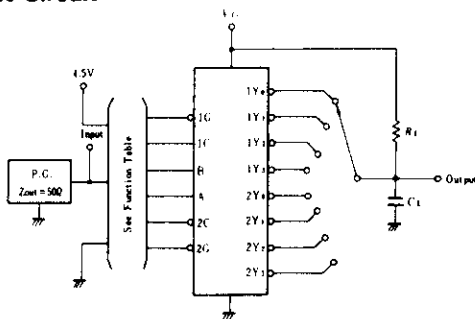
** I_{CC} is measured with outputs open, A, B, and 1C inputs at 4.5V, and 2C, 1G, and 2G inputs grounded.

■ SWITCHING CHARACTERISTICS ($V_{CC}=5\text{V}, T_a=25^\circ\text{C}$)

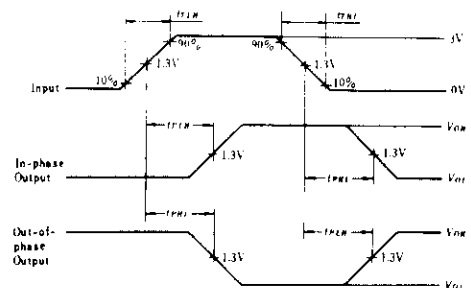
Item	Symbol	Inputs	Output	Level of logic	Test Conditions	min	typ	max	Unit
Propagation delay time	t_{PLH}	A, B, 2C, 1G or 2G	Y	2	$C_L=15\text{pF}, R_l=2\text{k}\Omega$	—	25	40	ns
	t_{PHL}	A, B, 2C, 1G or 2G	Y	2		—	34	51	
	t_{PLH}	A or B	Y	3		—	31	46	
	t_{PHL}	A or B	Y	3		—	34	51	
	t_{PLH}	1C	Y	3		—	32	48	
	t_{PHL}	1C	Y	3		—	32	48	

■ TESTING METHOD

1) Test Circuit



Waveform

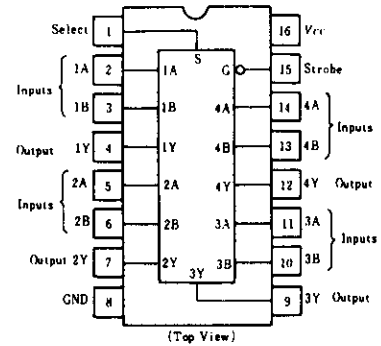


- Notes) 1. Input pulse: $t_{TLH} \leq 15\text{ns}, t_{THL} \leq 6\text{ns}, PRR=1\text{MHz},$
duty cycle=50%.
2. C_L includes probe and jig capacitance.

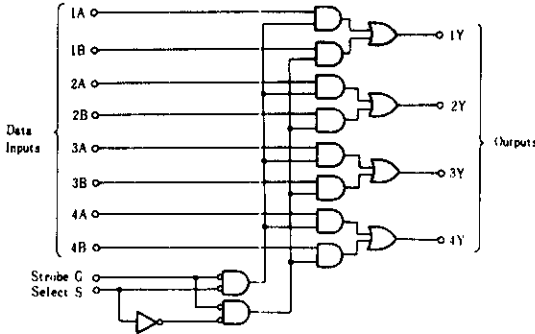
HD74LS157 • Quadruple 2-line-to-1-line Data Selectors/Multiplexers (noninverted outputs)

This data selector/multiplexer contains inverters and drivers to supply full on-chip data selection to the four output gates. A separate strobe input is provided. A 4-bit word is selected from one of two sources and is routed to the four outputs. Then, outputs present true data to minimize propagation delay time.

■ PIN ARRANGEMENT



■ BLOCK DIAGRAM



■ FUNCTION TABLE

Inputs				Output
Strobe	Select	A	B	Y
H	X	X	X	L
L	L	L	X	L
L	L	H	X	H
L	H	X	L	L
L	H	X	H	H

H; high level, L; low level, X; irrelevant

■ ELECTRICAL CHARACTERISTICS ($T_a = -20 \sim +75^\circ\text{C}$)

Item	Symbol	Test Conditions	min	typ*	max	Unit
Input voltage	V_{IH}		2.0	—	—	V
	V_{IL}		—	—	0.8	V
Output voltage	V_{OH}	$V_{CC}=4.75\text{V}, V_{IH}=2\text{V}, V_{IL}=0.8\text{V}, I_{OH}=-400\mu\text{A}$	2.7	—	—	V
	V_{OL}	$V_{CC}=4.75\text{V}, V_{IH}=2\text{V}, V_{IL}=0.8\text{V}$				
					0.4	V
					0.5	V
Input current	S, G	$V_{CC}=5.25\text{V}, V_I=2.7\text{V}$	—	—	40	μA
	A, B		—	—	20	μA
	S, G	$V_{CC}=5.25\text{V}, V_I=0.4\text{V}$	—	—	-0.8	mA
	A, B		—	—	-0.4	mA
	S, G	$V_{CC}=5.25\text{V}, V_I=7\text{V}$	—	—	0.2	mA
	A, B		—	—	0.1	mA
Short-circuit output current	I_{OS}	$V_{CC}=5.25\text{V}$	-20	—	-100	mA
Supply current**	I_{CC}	$V_{CC}=5.25\text{V}$	—	9.7	16	mA
Input clamp voltage	V_{IK}	$V_{CC}=4.75\text{V}, I_{IN}=-18\text{mA}$	—	—	-1.5	V

* $V_{CC}=5\text{V}, T_a=25^\circ\text{C}$

** I_{CC} is measured with all outputs open and all inputs at 4.5V.

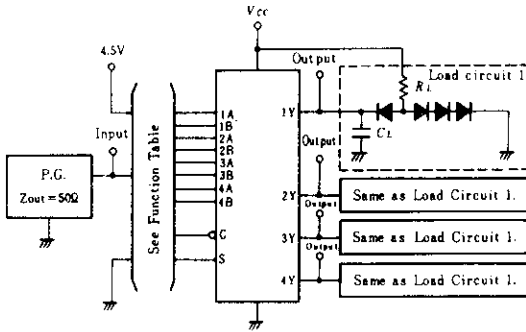
■ SWITCHING CHARACTERISTICS ($V_{CC}=5\text{V}, T_a=25^\circ\text{C}$)

Item	Symbol	Inputs	Output	Test Conditions	min	typ	max	Unit
Propagation delay time	t_{PLH}	Data	Y	$C_L=15\text{pF}, R_L=2\text{k}\Omega$	—	9	14	ns
	t_{PHL}				—	9	14	ns
	t_{PLH}	Strobe	Y		—	13	20	ns
	t_{PHL}				—	14	21	ns
	t_{PLH}	Select	Y		—	15	23	ns
	t_{PHL}				—	18	27	ns

HD74LS157

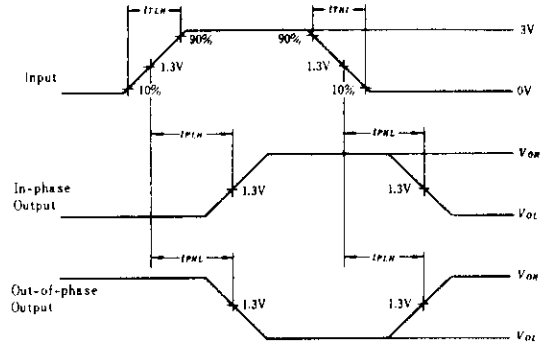
■ TESTING METHOD

1) Test Circuit



- Notes) 1. C_L includes probe and jig capacitance.
 2. All diodes are 1S2074 (H).

Waveform

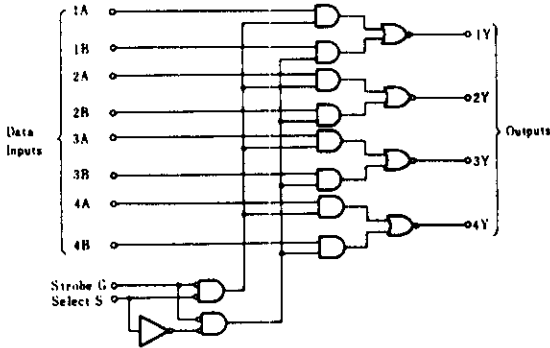


Input pulse; $t_{TLH} \leq 15\text{ns}$, $t_{THL} \leq 6\text{ns}$,
 $PRR = 1\text{MHz}$, duty cycle 50%.

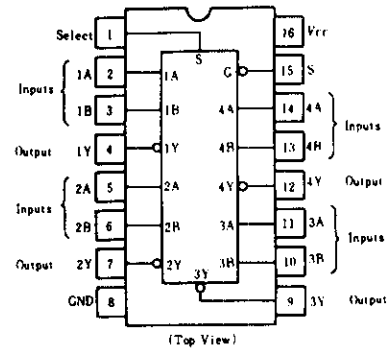
HD74LS158 • Quadruple 2-line-to-1-line Data Selectors/Multiplexers (inverted outputs)

This data selector/multiplexer contains inverters and drivers to supply full on-chip data selection to the four output gates. A separate strobe input is provided. A 4-bit word is selected from one of two sources and is routed to the four outputs. Then, outputs present inverted data to minimize propagation delay time.

■ BLOCK DIAGRAM



■ PIN ARRANGEMENT



■ FUNCTION TABLE

Inputs				Output
Strobe	Select	A	B	Y
H	X	X	X	H
L	L	L	X	H
L	L	H	X	L
L	H	X	L	H
L	H	X	H	L

H; high level L; low level, X; irrelevant

■ ELECTRICAL CHARACTERISTICS ($T_a = -20 \sim +75^\circ\text{C}$)

Item	Symbol	Test Conditions	min	typ*	max	Unit	
Input voltage	V_{IH}		2.0	—	—	V	
	V_{IL}		—	—	0.8	V	
Output voltage	V_{OH}	$V_{CC}=4.75\text{V}, V_{IH}=2\text{V}, V_{IL}=0.8\text{V}, I_{OH}=-400\mu\text{A}$	2.7	—	—	V	
	V_{OL}	$V_{CC}=4.75\text{V}, V_{IH}=2\text{V}, V_{IL}=0.8\text{V}$	$I_{OL}=4\text{mA}$	—	—	0.4	V
			$I_{OL}=8\text{mA}$	—	—	0.5	
Input current	G, S	I_{IH}	$V_{CC}=5.25\text{V}, V_I=2.7\text{V}$	—	—	40	μA
	A, B			—	—	20	
	G, S	I_{IL}	$V_{CC}=5.25\text{V}, V_I=0.4\text{V}$	—	—	-0.8	mA
	A, B			—	—	-0.4	
G, S	I_I	$V_{CC}=5.25\text{V}, V_I=7\text{V}$	—	—	0.2	mA	
			A, B	—	—		0.1
Short-circuit output current	I_{OS}	$V_{CC}=5.25\text{V}$	-20	—	-100	mA	
Supply current **	I_{CC}	$V_{CC}=5.25\text{V}$	—	4.8	8	mA	
Input clamp voltage	V_{IK}	$V_{CC}=4.75\text{V}, I_{IN}=-18\text{mA}$	—	—	-1.5	V	

* $V_{CC}=5\text{V}, T_a=25^\circ\text{C}$

** I_{CC} is measured with all outputs open and all inputs at 4.5V.

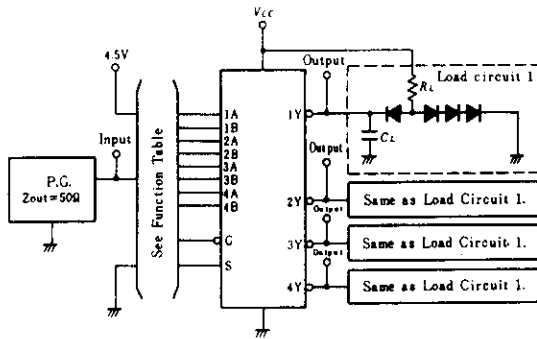
HD74LS158

SWITCHING CHARACTERISTICS ($V_{CC}=5V$, $T_a=25^{\circ}C$)

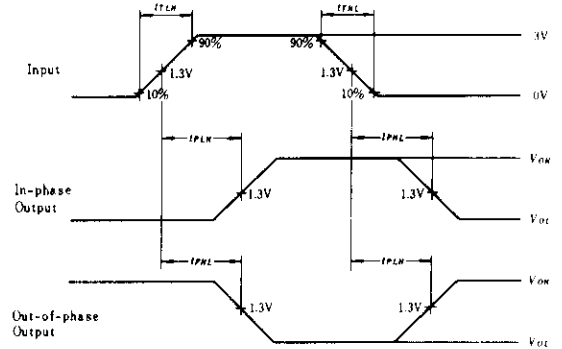
Item	Symbol	Inputs	Output	Test Conditions	min	typ	max	Unit
Propagation delay time	t_{PLH}	Data	Y	$C_L=15pF$, $R_L=2k\Omega$	-	7	12	ns
	t_{PHL}				-	7	12	
	t_{PLH}	Strobe	Y		-	11	17	ns
	t_{PHL}				-	12	18	
	t_{PLH}	Select	Y		-	13	20	ns
	t_{PHL}				-	16	24	

TESTING METHOD

1) Test Circuit



Waveform



- Notes) 1. C_L includes probe and jig capacitance.
 2. All diodes are 1S2074 (H).

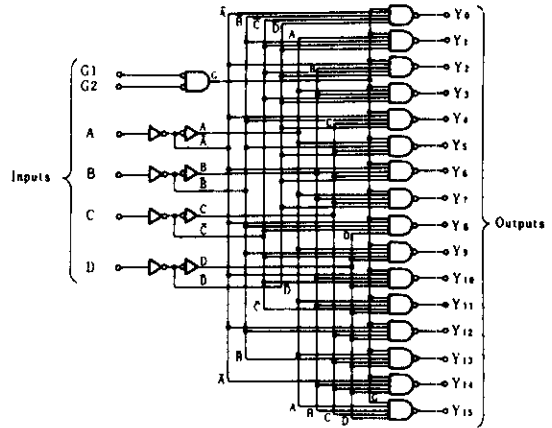
Input pulse: $t_{TLH} \leq 15ns$, $t_{THL} \leq 6ns$,
 $PRR=1MHz$, duty cycle 50%.

HD74LS159

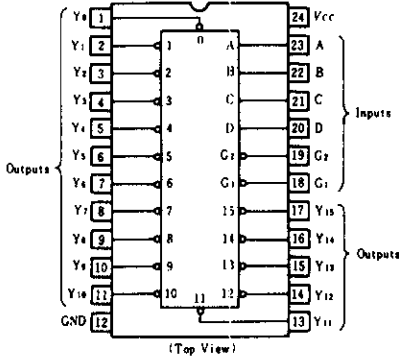
● 4-line-to-16-line Decoders/Demultiplexers (with Open Collector Outputs)

This decoder utilizes TTL circuitry to decode four binary-coded inputs into one of sixteen mutually exclusive outputs when both the strobe inputs, G1 and G2, are low. The demultiplexing function is performed by using the 4 input lines to address the output line, passing data from the one of the strobe inputs with the other strobe input low. When either strobe input is high, all outputs are high.

■ BLOCK DIAGRAM



■ PIN ARRANGEMENT



■ FUNCTION TABLE

Inputs						Outputs																
G ₁	G ₂	D	C	B	A	0	1	2	3	4	5	6	7	8	9	10	11	12	13	14	15	
L	L	L	L	L	L	L	H	H	H	H	H	H	H	H	H	H	H	H	H	H	H	H
L	L	L	L	L	H	H	L	H	H	H	H	H	H	H	H	H	H	H	H	H	H	H
L	L	L	L	H	L	H	H	L	H	H	H	H	H	H	H	H	H	H	H	H	H	H
L	L	L	L	H	H	H	H	L	H	H	H	H	H	H	H	H	H	H	H	H	H	H
L	L	L	H	L	L	H	H	H	H	L	H	H	H	H	H	H	H	H	H	H	H	H
L	L	L	H	L	H	H	H	H	H	H	L	H	H	H	H	H	H	H	H	H	H	H
L	L	L	H	H	L	H	H	H	H	H	H	L	H	H	H	H	H	H	H	H	H	H
L	L	L	H	H	H	H	H	H	H	H	H	H	L	H	H	H	H	H	H	H	H	H
L	L	H	L	L	L	H	H	H	H	H	H	H	H	L	H	H	H	H	H	H	H	H
L	L	H	L	L	H	H	H	H	H	H	H	H	H	H	L	H	H	H	H	H	H	H
L	L	H	L	H	L	H	H	H	H	H	H	H	H	H	H	L	H	H	H	H	H	H
L	L	H	H	L	L	H	H	H	H	H	H	H	H	H	H	H	L	H	H	H	H	H
L	L	H	H	L	H	H	H	H	H	H	H	H	H	H	H	H	H	L	H	H	H	H
L	L	H	H	H	L	H	H	H	H	H	H	H	H	H	H	H	H	H	L	H	H	H
L	L	H	H	H	H	H	H	H	H	H	H	H	H	H	H	H	H	H	H	L	H	H
L	H	X	X	X	X	H	H	H	H	H	H	H	H	H	H	H	H	H	H	H	H	H
H	L	X	X	X	X	H	H	H	H	H	H	H	H	H	H	H	H	H	H	H	H	H
H	H	X	X	X	X	H	H	H	H	H	H	H	H	H	H	H	H	H	H	H	H	H

* H; high level, L; low level, X; irrelevant

HD74LS159

ELECTRICAL CHARACTERISTICS ($T_a = -20 \sim +75^\circ\text{C}$)

Item	Symbol	Test Conditions	min	typ*	max	Unit
Input voltage	V_{IH}		2.0	-	-	V
	V_{IL}		-	-	0.8	V
Output current	I_{OH}	$V_{CC} = 4.75\text{V}, V_{IH} = 2\text{V}, V_{IL} = 0.8\text{V}, V_{OH} = 5.5\text{V}$	-	-	100	μA
Output voltage	V_{OL}	$V_{CC} = 4.75\text{V}, V_{IH} = 2\text{V}, I_{OL} = 4\text{mA}$	-	-	0.4	V
		$V_{IL} = 0.8\text{V}, I_{OL} = 8\text{mA}$	-	-	0.5	V
Input current	I_{IH}	$V_{CC} = 5.25\text{V}, V_i = 2.7\text{V}$	-	-	20	μA
	I_{IL}	$V_{CC} = 5.25\text{V}, V_i = 0.4\text{V}$	-	-	0.4	mA
	I_i	$V_{CC} = 5.25\text{V}, V_i = 7\text{V}$	-	-	0.1	mA
Supply current**	I_{CC}	$V_{CC} = 5.25\text{V}$	-	9	14	mA
Input clamp voltage	V_{IK}	$V_{CC} = 4.75\text{V}, I_{IN} = 18\text{mA}$	-	-	-1.5	V

* $V_{CC} = 5\text{V}, T_a = 25^\circ\text{C}$

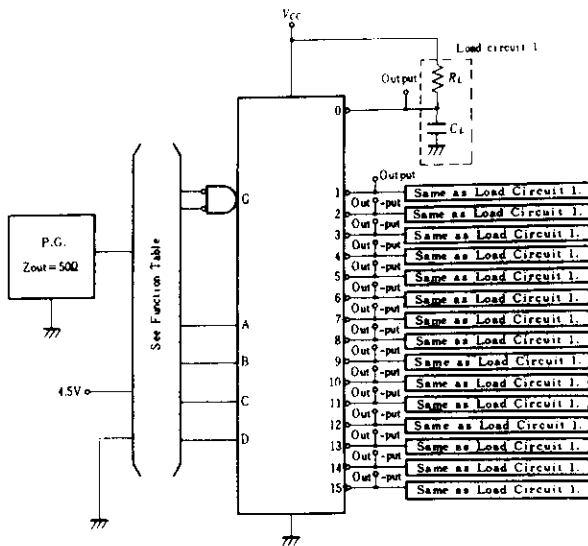
** I_{CC} is measured with all outputs open and all inputs grounded.

SWITCHING CHARACTERISTICS ($V_{CC} = 5\text{V}, T_a = 25^\circ\text{C}$)

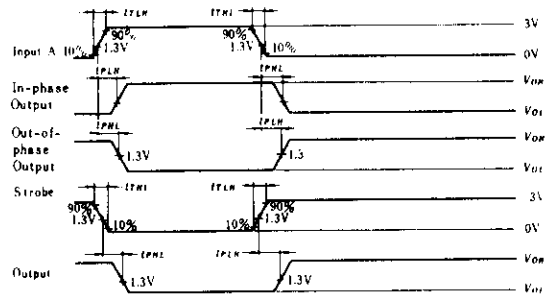
Item	Symbol	Inputs	Outputs	Test Conditions	min	typ	max	Unit
Propagation delay time	t_{PLH}	A, B, C, D	$Y_0 \sim Y_{15}$	$C_L = 15\text{pF}, R_L = 2\text{k}\Omega$	-	23	36	ns
	t_{PHL}	A, B, C, D	$Y_0 \sim Y_{15}$		-	24	36	ns
	t_{PLH}	G1, G2	$Y_0 \sim Y_{15}$		-	15	25	ns
	t_{PHL}	G1, G2	$Y_0 \sim Y_{15}$		-	22	36	ns

TESTING METHOD

1) Test Circuit



Waveform



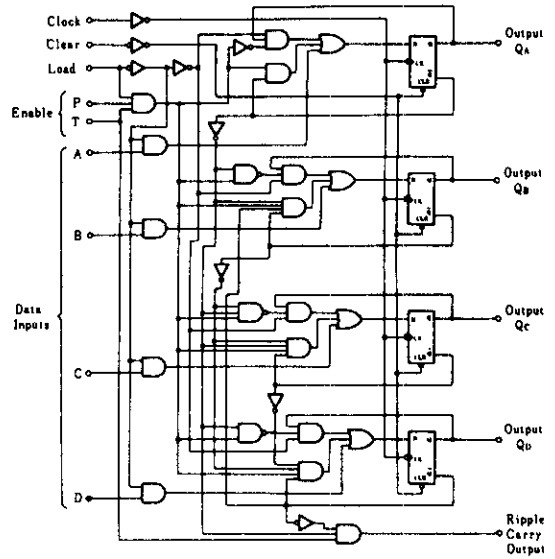
- Notes
1. Input pulse; $t_{TLH} \leq 15\text{ns}, t_{THL} \leq 6\text{ns}, \text{PRR} = 1\text{MHz}, \text{duty cycle} = 50\%$
 2. C_L includes probe and jig capacitance.
 3. All diodes are 1S2074 (H).

HD74LS160A

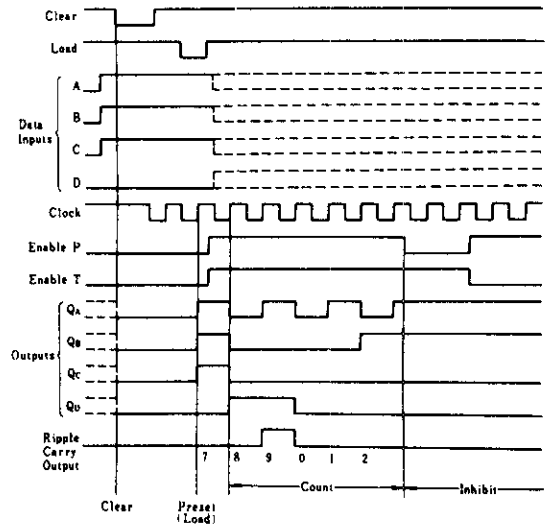
● Synchronous Decade Counters (direct clear)

This synchronous decade counter features an internal carry look-ahead for application in high-speed counting designs. Synchronous operation is provided by having all flip-flops clocked simultaneously so that the outputs change coincident with each other when so instructed by the count-enable inputs and internal gating. This mode of operation eliminates the output counting spikes that are normally associated with asynchronous (ripple clock) counters. A buffered clock input triggers the four flip-flops on the rising (positive-going) edge of the clock input waveform. This counter is fully programmable; that is, the output may be preset to either level. As presetting is synchronous, setting up a low level at the load input disables the counter and causes the outputs to agree with the setup data after the next clock pulse regardless of the levels of the enable inputs. Low-to-high transitions at the load input of this device should be avoided when the clock is low if the enable inputs are high at or before the transition. The clear function is asynchronous and a low level at the clear input sets all four of the flip-flop outputs low regardless of the levels of clock, load, or enable inputs. The carry look-ahead circuitry provides for cascading counters for n-bit synchronous applications without additional gating. Instrumental in accomplishing this function is two count-enable inputs and a ripple carry output. Both count-enable inputs (P and T) must be high to count, and input T is fed forward to enable the ripple carry output. The ripple carry output thus enabled will produce a high-level output pulse with a duration approximately equal to the high-level portion of the Q_A output. This high-level overflow ripple carry pulse can be used to enable successive cascaded stages. High-to-low-level transitions at the enable P or T inputs should occur only when the clock input is high.

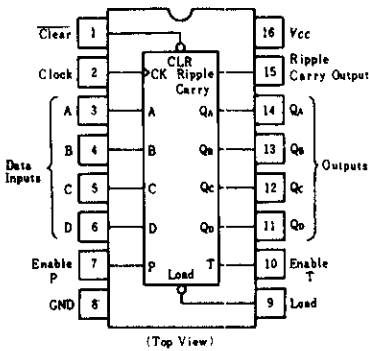
■ BLOCK DIAGRAM



■ TYPICAL CLEAR, PRESET, AND INHIBIT SEQUENCE



■ PIN ARRANGEMENT



■ RECOMMENDED OPERATING CONDITIONS

Item	Symbol	min	typ	max	Unit
Clock frequency	f_{clock}	0	—	25	MHz
Clock pulse width	$t_{w(clock)}$	25	—	—	ns
Clear pulse width	$t_{w(clear)}$	20	—	—	ns
Setup time	A, B, C, D	20	—	—	ns
	Enable P, T	20	—	—	
	Load	20	—	—	
Hold time	t_H	3	—	—	ns

HD74LS160A

■ ELECTRICAL CHARACTERISTICS ($T_a = -20 \sim +75^\circ\text{C}$)

Item	Symbol	Test Conditions	min	typ*	max	Unit	
Input voltage	V_{IH}		2.0	—	—	V	
	V_{IL}		—	—	0.8	V	
Output voltage	V_{OH}	$V_{CC}=4.75\text{V}$, $V_{IH}=2\text{V}$, $V_{IL}=0.8\text{V}$, $I_{OH}=-400\mu\text{A}$	2.7	—	—	V	
	V_{OL}	$V_{CC}=4.75\text{V}$, $V_{IH}=2\text{V}$, $V_{IL}=0.8\text{V}$, $I_{OL}=4\text{mA}$	—	—	0.4	V	
		$I_{OL}=8\text{mA}$	—	—	0.5		
Input current	Data, Enable P	I_{IH}	$V_{CC}=5.25\text{V}$, $V_i=2.7\text{V}$	—	—	20	μA
	Load, Clock, Enable T			—	—	40	
	Clear			—	—	20	
	Data, Enable P	I_{IL}	$V_{CC}=5.25\text{V}$, $V_i=0.4\text{V}$	—	—	-0.4	mA
	Load, Clock, Enable T			—	—	-0.8	
	Clear			—	—	-0.4	
	Data, Enable P	I_i	$V_{CC}=5.25\text{V}$, $V_i=7\text{V}$	—	—	0.1	mA
	Load, Clock, Enable T			—	—	0.2	
	Clear			—	—	0.1	
Short-circuit output current	I_{OS}	$V_{CC}=5.25\text{V}$	-20	—	-100	mA	
Supply current **	I_{CCH}	$V_{CC}=5.25\text{V}$	—	18	31	mA	
	I_{CCL}	$V_{CC}=5.25\text{V}$	—	19	32	mA	
Input clamp voltage	V_{IK}	$V_{CC}=4.75\text{V}$, $I_{IN}=-18\text{mA}$	—	—	-1.5	V	

* $V_{CC}=5\text{V}$, $T_a=25^\circ\text{C}$

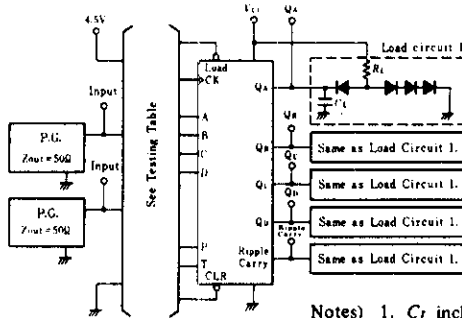
** I_{CCH} is measured with the load input high, then again with the load input low, with all other inputs high and all outputs open.
 I_{CCL} is measured with the clock input high, then again with the clock input low, with all other inputs low and all outputs open.

■ SWITCHING CHARACTERISTICS ($V_{CC}=5\text{V}$, $T_a=25^\circ\text{C}$)

Item	Symbol	Inputs	Outputs	Test Conditions	min	typ	max	Unit
Maximum clock frequency	f_{max}	Clock	$Q_A \sim Q_D$	$C_L=15\text{pF}$, $R_L=2\text{k}\Omega$	25	32	—	MHz
Propagation delay time	t_{PLH}	Clock	Ripple		—	20	35	ns
			Carry		—	18	35	ns
	t_{PHL}	Clock (Load="H")	$Q_A \sim Q_D$		—	13	24	ns
			$Q_A \sim Q_D$		—	18	27	ns
	t_{PLH}	Clock (Load="L")	$Q_A \sim Q_D$		—	13	24	ns
			$Q_A \sim Q_D$		—	18	27	ns
	t_{PHL}	Enable T	Ripple		—	9	14	ns
			Carry		—	9	14	ns
	t_{PHL}	Clear	$Q_A \sim Q_D$		—	20	28	ns

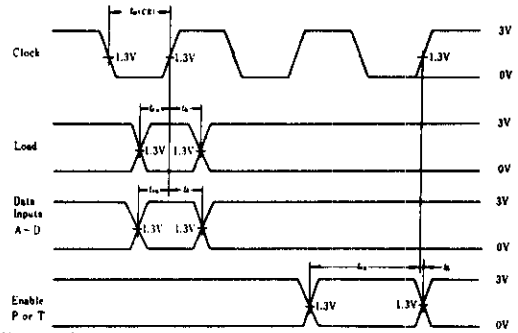
TESTING METHOD

1) Test Circuit



- Notes) 1. C_T includes probe and jig capacitance.
2. All diodes are 1S2074 (H).

TIMING METHOD



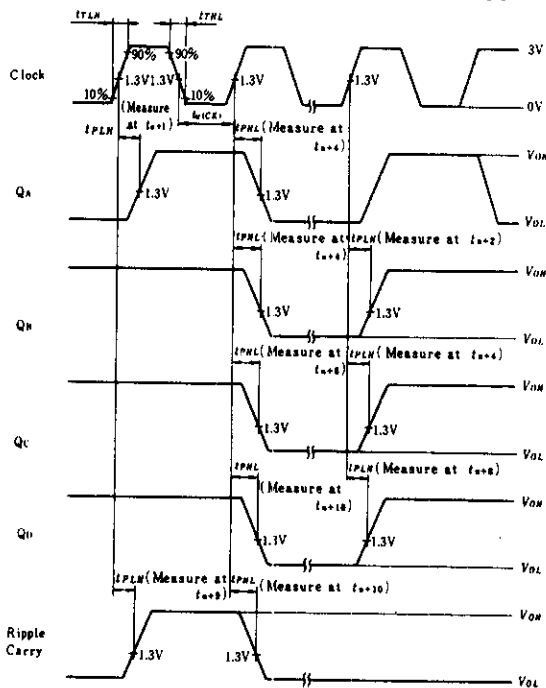
2) Testing Table

Item	From input to output	Inputs								Outputs					
		Clear	Load	Enable		Clock	Data				Q _A	Q _B	Q _C	Q _D	Ripple Carry
		P	T	A	B		C	D							
f_{max}		4.5V	4.5V	4.5V	4.5V	IN	GND	GND	GND	GND	OUT	OUT	OUT	OUT	OUT
t_{PLH} t_{PHL}	CK → Ripple Carry	4.5V	4.5V	4.5V	4.5V	IN	GND	GND	GND	GND	—	—	—	—	OUT
	CK → Q	4.5V	4.5V	4.5V	4.5V	IN	GND	GND	GND	GND	OUT	OUT	OUT	OUT	—
	CK → Q	4.5V	GND	GND	GND	IN	IN*	IN*	IN*	IN*	OUT	OUT	OUT	OUT	—
	Enable T → Ripple Carry	4.5V	GND	4.5V	IN	IN**	4.5V	GND	GND	4.5V	—	—	—	—	OUT
	CLR → Q	IN	GND	GND	GND	IN**	4.5V	4.5V	4.5V	4.5V	OUT	OUT	OUT	OUT	—

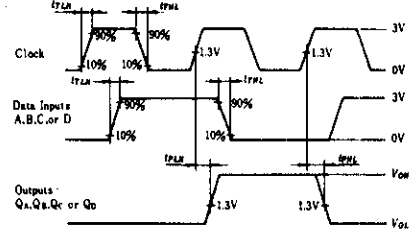
* Measuring outputs correspond to this condition, each outputs (Q_A, Q_B, Q_C, and Q_D) must not be over the following rate, "H", "L", "L", and "H".

** For initialized

Waveform-1 f_{max} , t_{PLH} , t_{PHL} (Clock → Q, Ripple Carry) Waveform-2 t_{PLH} , t_{PHL} (Clock → Q)

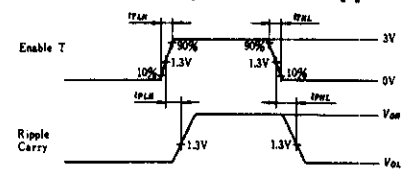


Notes) Clock input pulse: $t_{TLH} \leq 15ns$, $t_{THL} \leq 6ns$, $PRR=1MHz$, duty cycle=50% and: for f_{max} , $t_{TLH}=t_{THL} \leq 2.5ns$.
 t_n is reference bit time when all outputs are low.



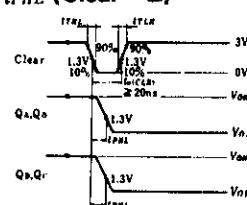
Notes) Input pulse: $t_{TLH} \leq 15ns$, $t_{THL} \leq 6ns$, Clock input: $PRR=1MHz$, duty cycle 50%, Data input: $PRR=500kHz$, duty cycle 50%

Waveform-3 t_{PLH} , t_{PHL} (Enable T → Ripple Carry)



Note) Input pulse: $t_{TLH} \leq 15ns$, $t_{THL} \leq 6ns$, $PRR=1MHz$

Waveform-4 t_{PHL} (Clear → Q)



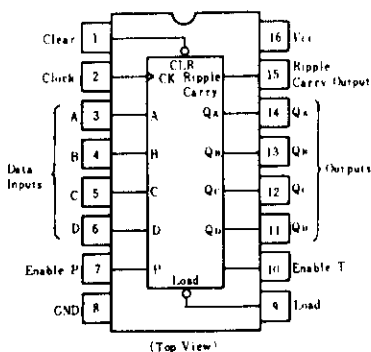
Note) Input pulse: $t_{TLH} \leq 15ns$, $t_{THL} \leq 6ns$

HD74LS161A • Synchronous 4-bit Binary Counters (direct clear)

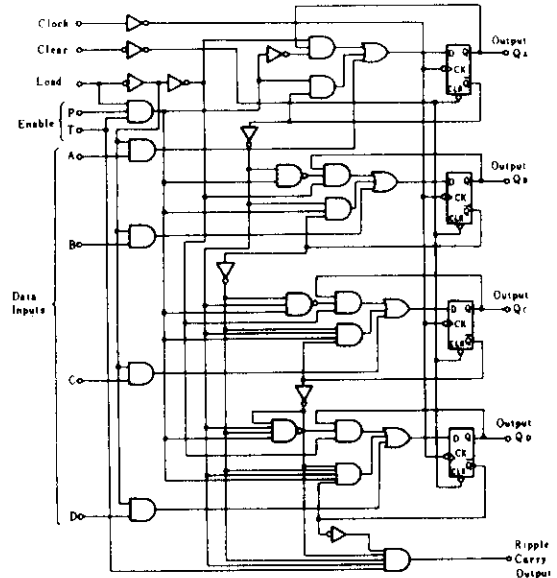
This synchronous 4-bit binary counter features an internal carry look-ahead for application in high speed counting designs. Synchronous operation is provided by having all flip-flops clocked simultaneously so that the outputs changes coincident with each other when so instructed by the count-able inputs and internal gating. This mode of operation eliminates the output counting spikes that are normally associated with asynchronous (ripple clock) counters. A buffered clock input triggers the four flip-flops on the rising (positive-going) edge of the clock input waveform.

This counter is fully programmable; that is, the outputs may be preset to either level. As presetting is synchronous, setting up a low level at the load input disables the counter and causes the outputs to agree with the setup data after the next clock pulse regardless of the levels of the enable inputs. Low-to-high transitions at the load input should be avoided when the clock is low if the enable inputs are high at or before the transition. The clear function is asynchronous and a low level at the clear input sets all four of the flip-flop outputs low regardless of the levels of clock, load, or enable inputs. The carry look-ahead circuitry provides for cascading counters for n-bit synchronous applications without additional gating. Instrumental in accomplishing this function are two count-able inputs (P and T) and a ripple carry output. Both count-able inputs (P and T) must be high to count, and input T is fed forward to enable the ripple carry output. The ripple carry output thus enabled will produce a high-level output pulse with a duration approximately equal to the high-level portion of the Q_A output. This high-level overflow ripple carry pulse can be used to enable successive cascaded stages. High-to-low level transitions at the enable P or T inputs should occur only when the clock input is high.

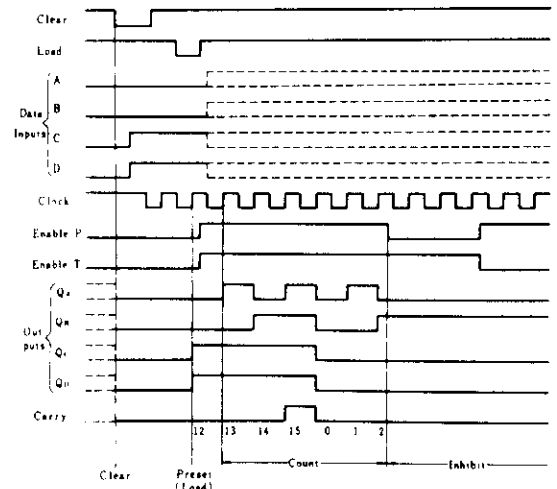
■ PIN ARRANGEMENT



■ BLOCK DIAGRAM



■ TYPICAL CLEAR, PRESET, AND INHIBIT SEQUENCE



■ RECOMMENDED OPERATING CONDITIONS

Item	Symbol	min	typ	max	Unit
Clock frequency	f_{clock}	0	—	25	MHz
Clock pulse width	$t_w(CK)$	25	—	—	ns
Clear pulse width	$t_w(CLR)$	20	—	—	ns
Setup time	A, B, C, D	20	—	—	ns
	Enable P, T	20	—	—	
	Load	20	—	—	
Hold time	t_H	3	—	—	ns

■ ELECTRICAL CHARACTERISTICS ($T_a = -20 \sim +75^\circ\text{C}$)

Item	Symbol	Test Conditions	min	typ*	max	Unit	
Input voltage	V_{IH}		2.0	—	—	V	
	V_{IL}		—	—	0.8	V	
Output voltage	V_{OH}	$V_{CC}=4.75\text{V}$, $V_{IH}=2\text{V}$, $V_{IL}=0.8\text{V}$, $I_{OH}=-400\mu\text{A}$	2.7	—	—	V	
	V_{OL}	$V_{CC}=4.75\text{V}$, $V_{IH}=2\text{V}$	—	—	0.4	V	
		$V_{IL}=0.8\text{V}$	—	—	0.5		
Input current	Data, Enable P	I_{IH}	$V_{CC}=5.25\text{V}$, $V_i=2.7\text{V}$	—	—	20	μA
	Load, Clock, Enable T			—	—	40	
	Clear			—	—	20	
	Data, Enable P	I_{IL}	$V_{CC}=5.25\text{V}$, $V_i=0.4\text{V}$	—	—	-0.4	mA
	Load, Clock, Enable T			—	—	-0.8	
	Clear			—	—	-0.4	
	Data, Enable P	I_I	$V_{CC}=5.25\text{V}$, $V_i=7\text{V}$	—	—	0.1	mA
	Load, Clock, Enable T			—	—	0.2	
	Clear			—	—	0.1	
Short-circuit output current	I_{OS}	$V_{CC}=5.25\text{V}$	-20	—	-100	mA	
Supply current**	I_{CCH}	$V_{CC}=5.25\text{V}$	—	18	31	mA	
	I_{CCL}	$V_{CC}=5.25\text{V}$	—	19	32	mA	
Input clamp voltage	V_{IK}	$V_{CC}=4.75\text{V}$, $I_{IN}=-18\text{mA}$	—	—	-1.5	V	

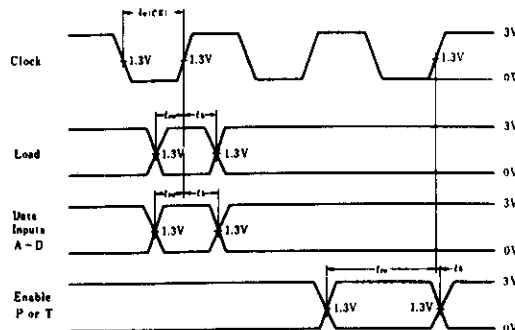
* $V_{CC}=5\text{V}$, $T_a=25^\circ\text{C}$

** I_{CCH} is measured with the load input high, then again with the load input low, with all other inputs high and all outputs open. I_{CCL} is measured with the clock input high, then again with the clock input low, with all other inputs low and all outputs open.

■ SWITCHING CHARACTERISTICS ($V_{CC}=5\text{V}$, $T_a=25^\circ\text{C}$)

Item	Symbol	Inputs	Outputs	Test Conditions	min	typ	max	Unit
Maximum clock frequency	f_{max}	Clock	$Q_A \sim Q_D$	$C_L=15\text{pF}$, $R_L=2\text{k}\Omega$	25	32	—	MHz
Propagation delay time	t_{PLH}	Clock	Ripple		—	20	35	ns
	t_{PHL}		Carry		—	18	35	ns
	t_{PLH}	Clock (Load=H ⁺)	$Q_A \sim Q_D$		—	13	24	ns
	t_{PHL}		$Q_A \sim Q_D$		—	18	27	ns
	t_{PLH}	Clock (Load=L ⁻)	$Q_A \sim Q_D$		—	13	24	ns
	t_{PHL}		$Q_A \sim Q_D$		—	18	27	ns
	t_{PLH}	Enable T	Ripple		—	9	14	ns
	t_{PHL}		Carry		—	9	14	ns
t_{PHL}	Clear	$Q_A \sim Q_D$	—	20	28	ns		

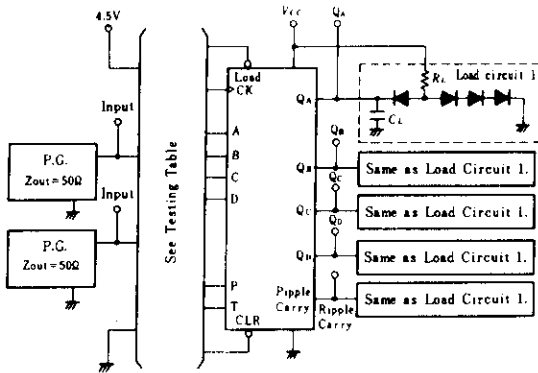
■ TIMING DEFINITION



HD74LS161A

TESTING METHOD

1) Test Circuit



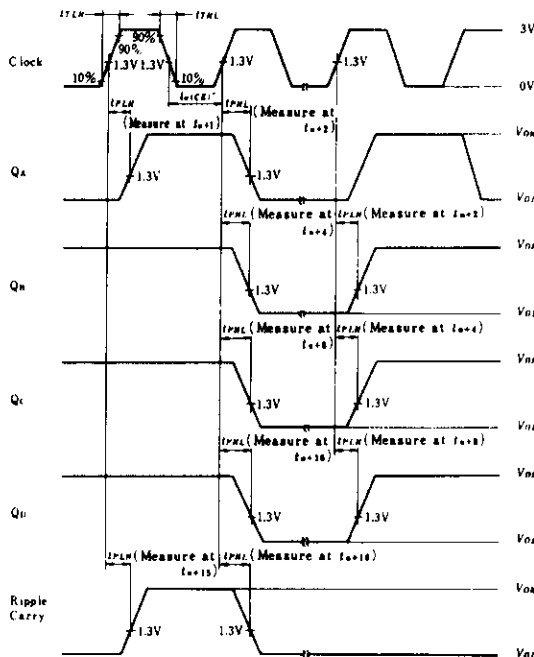
- Notes) 1 C_L includes probe and jig capacitance.
2. All diodes are 1S2074 (H)

2) Testing Table

Item	From input to output	Inputs									Outputs					
		Clear	Load	Enable		Clock		Data				QA	QB	QC	QD	Ripple Carry
				P	T			A	B	C	D					
f_{max}		4.5V	4.5V	4.5V	4.5V	IN	GND	GND	GND	GND	GND	OUT	OUT	OUT	OUT	OUT
t_{PLH} t_{PHL}	CK → Ripple Carry	4.5V	4.5V	4.5V	4.5V	IN	GND	GND	GND	GND	GND	—	—	—	—	—
	CK → Q	4.5V	4.5V	4.5V	4.5V	IN	GND	GND	GND	GND	GND	OUT	OUT	OUT	OUT	—
t_{PLH} t_{PHL}	CK → Q	4.5V	GND	GND	GND	IN	IN*	IN*	IN*	IN*	IN*	OUT	OUT	OUT	OUT	—
	Enable T → Ripple Carry	4.5V	GND	4.5V	IN	IN*	4.5V	4.5V	4.5V	4.5V	4.5V	—	—	—	—	OUT
	CLR → Q	IN	GND	GND	GND	IN*	4.5V	4.5V	4.5V	4.5V	4.5V	OUT	OUT	OUT	OUT	—

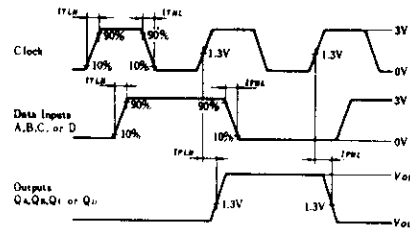
* For initialized

Waveform—1 f_{max} , t_{PLH} , t_{PHL} (Clock → Q, Ripple Carry)



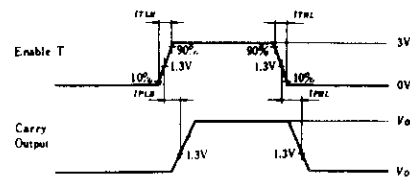
- Notes) 1. Clock input pulse: $t_{TLH} \leq 15ns$, $t_{THL} \leq 6ns$, $PRR=1MHz$, duty cycle=50% and: for f_{max} , $t_{PLH}=t_{THL} \leq 2.5ns$.
2. t_n is reference bit time when all outputs are low.

Waveform—2 t_{PLH} , t_{PHL} (Clock → Q)

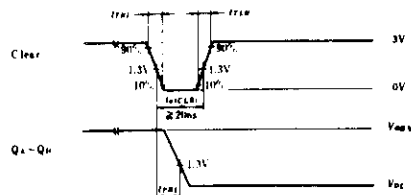


- Notes) Input pulse: $t_{TLH} \leq 15ns$, $t_{THL} \leq 6ns$, Clock input: $PRR=1MHz$, duty cycle 50%, Data input: $PRR=500kHz$, duty cycle 50%

Waveform—3 t_{PLH} , t_{PHL} (Enable T → Ripple Carry)



- Note) Input pulse: $t_{TLH} \leq 15ns$, $t_{THL} \leq 6ns$, $PRR=1MHz$



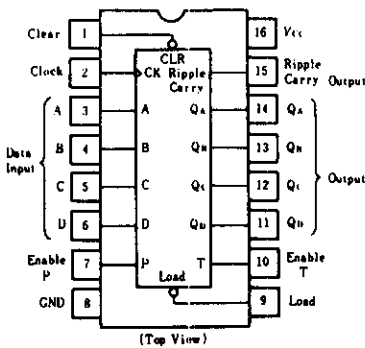
- Note) Input pulse: $t_{TLH} \leq 15ns$, $t_{THL} \leq 6ns$

HD74LS162A

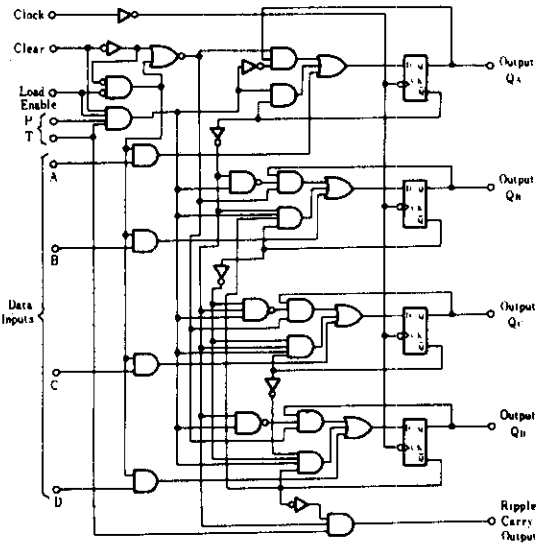
● Synchronous Decade Counters (synchronous clear)

This synchronous decade counter features an internal carry look-ahead for application in high-speed counting designs. Synchronous operation is provided by having all flip-flops clocked simultaneously so that the outputs change coincident with each other when so instructed by the count-enable inputs and internal gating. This mode of operation eliminates the output counting spikes that are normally associated with asynchronous (ripple clock) counters. A buffered clock input triggers the four flip-flops on the rising (positive-going) edge of the clock input waveform. This counter is fully programmable; that is, the outputs may be preset to either level. As presetting is synchronous, setting up a low level at the load input disables the counter and causes the outputs to agree with the setup data after the next clock pulse regardless of the levels of the enable inputs. Low-to-high transitions at the load input should be avoided when the clock is low if the enable inputs are high at or before the transition. The clear function is synchronous and a low level at the clear input sets all four of the flip-flop outputs low after the next clock pulse, regardless of the levels of the enable inputs. This synchronous clear allows the count length to be modified easily as decoding the maximum count desired can be accomplished with one external NAND gate. The gate output is connected to the clear input to synchronously clear the counter to LLLL. Low-to-high transitions at the clear input should be avoided when the clock is low if the enable and load inputs are high at or before the transition. The carry look-ahead circuitry provides for cascading counters for n-bit synchronous applications without additional gating. Instrumental in accomplishing this function are two count-enable inputs and a ripple carry output. Both count-enable inputs (P and T) must be high to count, and input T is fed forward to enable the ripple carry output. The ripple carry output thus enabled will produce a high-level output pulse with a duration approximately equal to the high-level portion of the Q_A output. This high-level overflow ripple carry pulse can be used to enable successive cascaded stages. High-to-low-level transitions at the enable P or T inputs should occur only when the clock input is high.

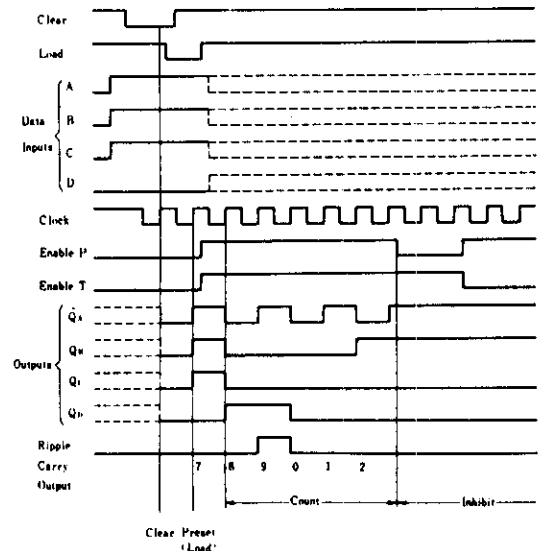
■ PIN ARRANGEMENT



■ BLOCK DIAGRAM



■ TYPICAL CLEAR, PRESET, AND INHIBIT SEQUENCE

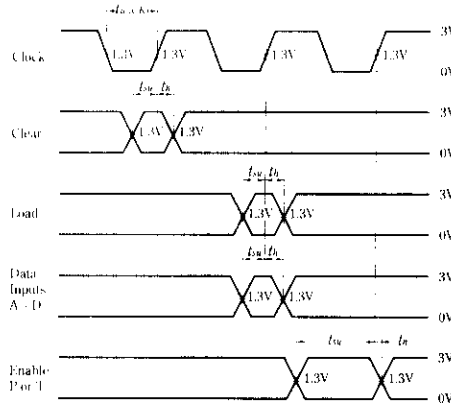


■ RECOMMENDED OPERATING CONDITIONS

Item	Symbol	min	typ	max	Unit
Clock frequency	f_{clock}	0	—	25	MHz
Clock pulse width	$t_w(CK)$	25	—	—	ns
Clear pulse width	$t_w(CLR)$	20	—	—	ns
Setup time	A, B, C, D	20	—	—	ns
	Enable P, T	20	—	—	ns
	Load	20	—	—	ns
	Clear	20	—	—	ns
Hold time	t_h	3	—	—	ns

HD74LS162A

■TIMING DEFINITION



■ELECTRICAL CHARACTERISTICS ($T_a = -20 \sim +75^\circ\text{C}$)

Item	Symbol	Test Conditions	min	typ*	max	Unit		
Input voltage	V_{IH}		2.0	—	—	V		
	V_{IL}		—	—	0.8	V		
Output voltage	V_{OH}	$V_{CC} = 4.75\text{V}$, $V_{IH} = 2\text{V}$, $V_{IL} = 0.8\text{V}$, $I_{OH} = -400\mu\text{A}$	2.7	—	—	V		
	V_{OL}	$V_{CC} = 4.75\text{V}$, $V_{IH} = 2\text{V}$, $V_{IL} = 0.8\text{V}$, $I_{OL} = 4\text{mA}$ $I_{OL} = 8\text{mA}$	—	—	0.4 0.5	V		
Input current	Data, Enable P Load, Clock, Enable T	$V_{CC} = 5.25\text{V}$, $V_I = 2.7\text{V}$	I_{IH}	—	—	20	μA	
	Clear		—	—	40			
	Data, Enable P Load, Clock, Enable T		$V_{CC} = 5.25\text{V}$, $V_I = 0.4\text{V}$	I_{II}	—	—	-0.4	mA
	Clear			—	—	-0.8		
Input current	Data, Enable P Load, Clock, Enable T	$V_{CC} = 5.25\text{V}$, $V_I = 7\text{V}$	I_I	—	—	0.1	mA	
	Clear		—	—	0.2			
Short-circuit output current	I_{OS}	$V_{CC} = 5.25\text{V}$	-20	—	100	mA		
Supply current**	I_{CCH}	$V_{CC} = 5.25\text{V}$	—	18	31	mA		
	I_{CCL}	$V_{CC} = 5.25\text{V}$	—	19	32	mA		
Input clamp voltage	V_{IK}	$V_{CC} = 4.75\text{V}$, $I_{IK} = 18\text{mA}$	—	—	1.5	V		

* $V_{CC} = 5\text{V}$, $T_a = 25^\circ\text{C}$

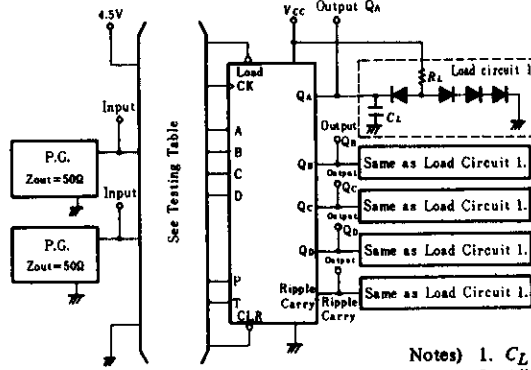
** I_{CCH} is measured with the load input high, then again with the load input low, with all other inputs high and all outputs open. I_{CCL} is measured with the clock input high, then again with the clock input low, with all other inputs low and all outputs open.

■SWITCHING CHARACTERISTICS ($V_{CC} = 5\text{V}$, $T_a = 25^\circ\text{C}$)

Item	Symbol	Inputs	Outputs	Test Conditions	min	typ	max	Unit
Maximum clock frequency	f_{max}	Clock	$Q_A \sim Q_D$	$C_L = 15\text{pF}$, $R_L = 2\text{k}\Omega$	25	32	—	MHz
	t_{PLH}	Clock	Ripple		—	20	35	ns
t_{PHL}	Carry		—		18	35	ns	
Propagation delay time	t_{PLH}	Clock (Load="H")	$Q_A \sim Q_D$		—	13	24	ns
	t_{PHL}		—		18	27	ns	
	t_{PLH}	Clock (Load="L")	$Q_A \sim Q_D$		—	13	24	ns
	t_{PHL}		—		18	27	ns	
	t_{PLH}	Enable T	Ripple		—	9	14	ns
	t_{PHL}		Carry	—	9	14	ns	
t_{PHL}	Clear	$Q_A \sim Q_D$	—	20	28	ns		

TESTING METHOD

1) Test Circuit



Notes) 1. C_2 includes probe and jig capacitance.
2. All diodes are 1S2074 (H)

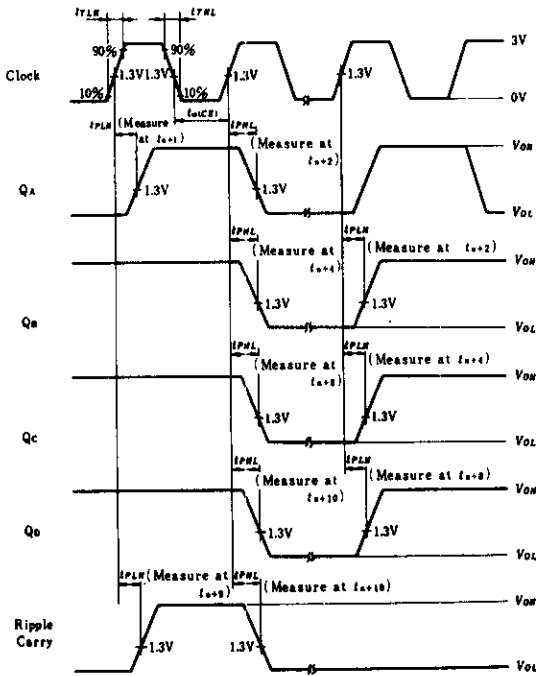
2) Testing Table

Item	From input to output	Inputs										Outputs			
		Clear	Load	Enable		Clock	Data				Q _A	Q _B	Q _C	Q _D	Ripple Carry
				P	T		A	B	C	D					
f_{max}		4.5V	4.5V	4.5V	4.5V	IN	GND	GND	GND	GND	OUT	OUT	OUT	OUT	OUT
t_{PLH} t_{PHL}	CK → Ripple Carry	4.5V	4.5V	4.5V	4.5V	IN	GND	GND	GND	GND	—	—	—	—	OUT
	CK → Q	4.5V	4.5V	4.5V	4.5V	IN	GND	GND	GND	GND	OUT	OUT	OUT	OUT	—
	CK → Q	4.5V	GND	GND	GND	IN	IN*	IN*	IN*	IN*	OUT	OUT	OUT	OUT	—
	Enable T → Ripple Carry	4.5V	GND	4.5V	IN	IN**	4.5V	GND	GND	4.5V	—	—	—	—	OUT
	Clear → Q	IN	GND	GND	GND	IN**	4.5V	4.5V	4.5V	4.5V	OUT	OUT	OUT	OUT	—

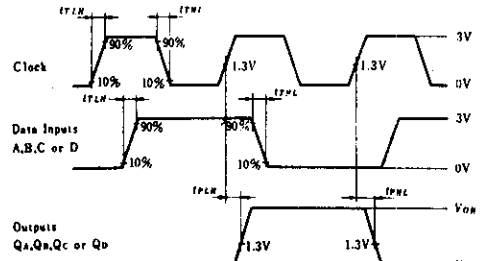
* Measuring outputs correspond to this condition, each outputs (Q_A, Q_B, Q_C, and Q_D) must not be over the following rate, "H", "L", "L", and "H".

** For initialized

3) Waveform—1 f_{max} , t_{PLH} , t_{PHL} (Clock → Q, Ripple Carry)

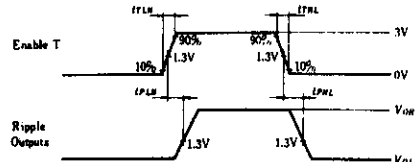


Waveform—2 t_{PLH} , t_{PHL} (Clock → Q)



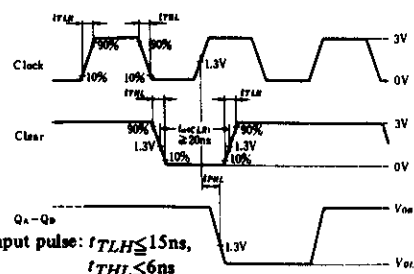
Notes) Input pulse: $t_{TLH} \leq 15ns$, $t_{THL} \leq 6ns$, Clock input: $PRR = 1MHz$, duty cycle 50%, Data input: $PRR = 500kHz$, duty cycle 50%

Waveform—3 t_{PLH} , t_{PHL} (Enable T → Ripple Carry)



Note) Input pulse: $t_{TLH} \leq 15ns$, $t_{THL} \leq 6ns$, $PRR = 1MHz$

Waveform—4 t_{PHL} (Clear → Q)



Note) Input pulse: $t_{TLH} \leq 15ns$, $t_{THL} \leq 6ns$

Notes) 1. Clock input pulse; $t_{TLH} \leq 15ns$, $t_{THL} \leq 6ns$, $PRR = 1MHz$, duty cycle=50% and: for f_{max} , $t_{TLH} = t_{THL} \leq 2.5ns$.

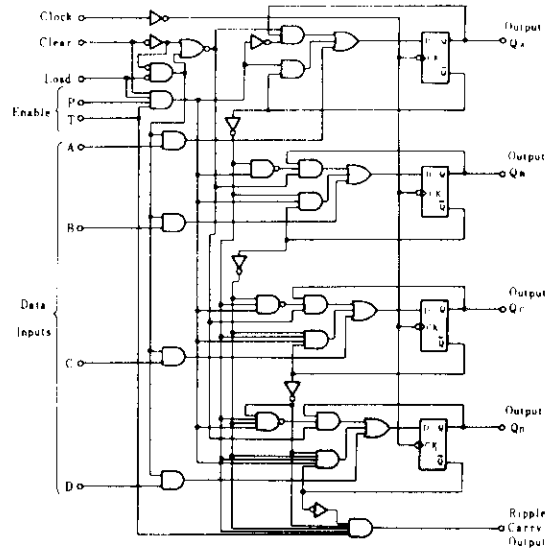
2. t_n is reference bit time when all outputs are low.

HD74LS163A • Synchronous 4-bit Binary Counters (synchronous clear)

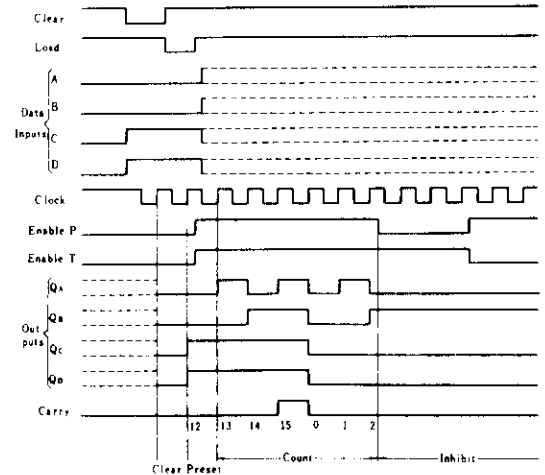
This synchronous 4-bit binary counter features an internal carry look-ahead to application in high-speed counting designs. Synchronous operation is provided by having all flip-flops clock simultaneously so that the outputs change coincident with each other when so instructed by the count-enable inputs and internal gating. This mode of operation eliminates the output counting spikes that are normally associated with asynchronous (ripple clock) counters. A buffered clock input triggers the four flip-flops on the rising (positive-going) edge of the clock input waveform. This counter is fully programmable; that is, the outputs may be preset to either level. As presetting is synchronous, setting up a low level at the load input disables the counter and causes the outputs to agree with the setup data after the next clock pulse regardless of the levels of the enable inputs. Low-to-high transitions at the load input would be avoided when the clock is low if the enable inputs are high at or before the transition. The clear function is asynchronous and a low level at the clear input sets all four of the flip-flop outputs low after the next clock pulse, regardless of the levels of the enable inputs. This synchronous clear allows the count length to be modified easily as decoding the maximum count desired can be accomplished with one external NAND gate.

The gate output is connected to the clear input to synchronously clear the counter to LLLL. Low-to-high transitions at the clear input should be avoided when the clock is low if the enable and load inputs are high at or before the transition. The carry look-ahead circuitry provides for cascading counters for n-bit synchronous applications without additional gating. Instrumental in accomplishing this function are two count-enable inputs and a ripple carry output. Both count-enable inputs (P and T) must be high to count, and input T is fed forward to enable the ripple carry output. The ripple carry output thus enabled will produce a high-level output pulse with a duration approximately equal to the high-level portion of the Q_A output. This high-level overflow ripple carry pulse can be used to enable successive cascaded stages. High-to-low-level transitions at the enable P or T inputs should occur only when the clock input is high.

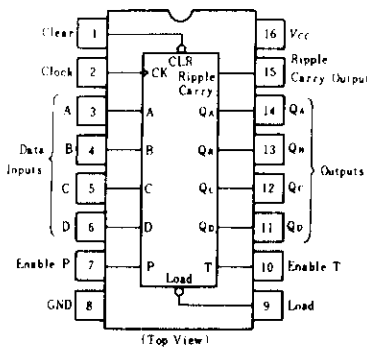
■ BLOCK DIAGRAM



■ TYPICAL CLEAR, PRESET, AND INHIBIT SEQUENCE



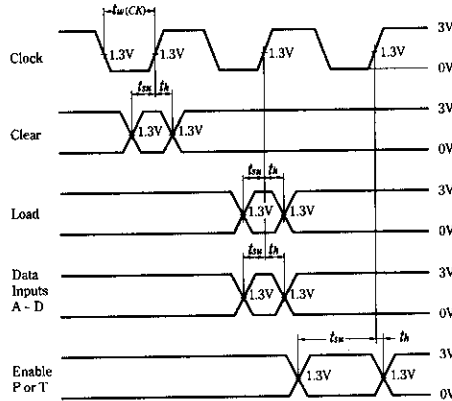
■ PIN ARRANGEMENT



■ RECOMMENDED OPERATING CONDITIONS

Item	Symbol	min	typ	max	Unit
Clock frequency	f_{clock}	0	—	25	MHz
Clock pulse width	$t_w (CK)$	25	—	—	ns
Clear pulse width	$t_w (CLR)$	20	—	—	ns
Setup time	A, B, C, D	20	—	—	ns
	Enable P, T	20	—	—	ns
	Load	20	—	—	ns
	Clear	20	—	—	ns
Hold time	t_h	3	—	—	ns

TIMING DEFINITION



ELECTRICAL CHARACTERISTICS ($T_a = -20 \sim +75^\circ\text{C}$)

Item	Symbol	Test Conditions	min	typ*	max	Unit
Input voltage	V_{IH}		2.0	—	—	V
	V_{IL}		—	—	0.8	V
Output voltage	V_{OH}	$V_{CC} = 4.75\text{V}$, $V_{IH} = 2\text{V}$, $V_{IL} = 0.8\text{V}$, $I_{OH} = -400\mu\text{A}$	2.7	—	—	V
	V_{OL}	$V_{CC} = 4.75\text{V}$, $V_{IH} = 2\text{V}$, $V_{IL} = 0.8\text{V}$, $I_{OL} = 4\text{mA}$ $I_{OL} = 8\text{mA}$	—	—	0.4 0.5	V
Input current	Data, Enable P	$V_{CC} = 5.25\text{V}$, $V_i = 2.7\text{V}$	—	—	20	μA
	Load, Clock, Enable T		—	—	40	
	Clear		—	—	40	
	Data, Enable P	$V_{CC} = 5.25\text{V}$, $V_i = 0.4\text{V}$	—	—	-0.4	mA
	Load, Clock, Enable T		—	—	-0.8	
	Clear		—	—	-0.8	
Data, Enable P	$V_{CC} = 5.25\text{V}$, $V_i = 7\text{V}$	—	—	0.1	mA	
Load, Clock, Enable T		—	—	0.2		
Clear		—	—	0.2		
Short-circuit output current	I_{OS}	$V_{CC} = 5.25\text{V}$	-20	—	-100	mA
Supply current**	I_{CCH}	$V_{CC} = 5.25\text{V}$	—	18	31	mA
	I_{CCL}	$V_{CC} = 5.25\text{V}$	—	19	32	mA
Input clamp voltage	V_{IK}	$V_{CC} = 4.75\text{V}$, $I_{IK} = -18\text{mA}$	—	—	-1.5	V

* $V_{CC} = 5\text{V}$, $T_a = 25^\circ\text{C}$

** I_{CCH} is measured with the load input high, then again with the load input low, with all other inputs high and all outputs open.
 I_{CCL} is measured with the clock input high, then again with the clock input low, with all other inputs low and all outputs open.

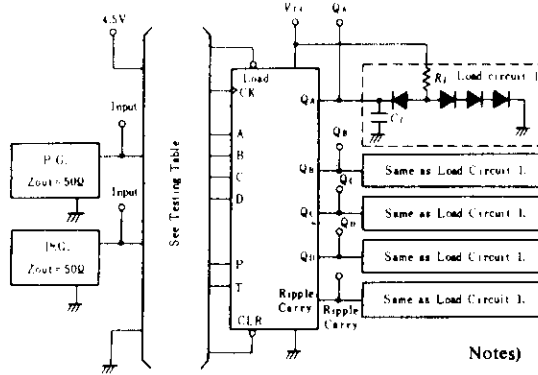
SWITCHING CHARACTERISTICS ($V_{CC} = 5\text{V}$, $T_a = 25^\circ\text{C}$)

Item	Symbol	Inputs	Outputs	Test Conditions	min	typ	max	Unit
Maximum clock frequency	f_{max}	Clock	$Q_A \sim Q_D$	$C_L = 15\text{pF}$, $R_L = 2\text{k}\Omega$	25	32	—	MHz
Propagation delay time	t_{PLH}	Clock	Ripple		—	20	35	ns
	t_{PHL}		Carry		—	18	35	ns
	t_{PLH}	Clock (Load="H")	$Q_A \sim Q_D$		—	13	24	ns
	t_{PHL}				—	18	27	ns
	t_{PLH}	Clock (Load="L")	$Q_A \sim Q_D$		—	13	24	ns
	t_{PHL}				—	18	27	ns
	t_{PLH}	Enable T	Ripple		—	9	14	ns
	t_{PHL}		Carry		—	9	14	ns
t_{PHL}	Clear	$Q_A \sim Q_D$	—		20	28	ns	

HD74LS163A

TESTING METHOD

1) Test Circuit



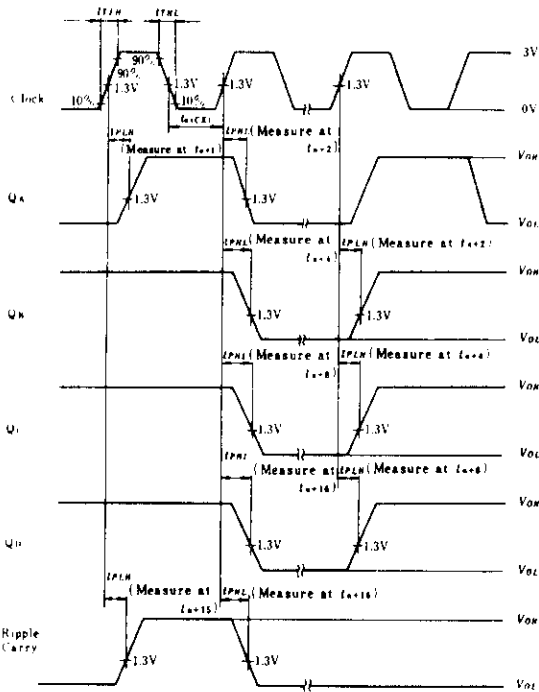
- Notes) 1. C_L includes probe and jig capacitance.
2. All diodes are 1S2074 (H).

2) Testing Table

Item	From input to output	Inputs										Outputs				
		Clear	Load	Enable		Clock	Data				QA	QB	QC	QD	Ripple Carry	
				P	T		A	B	C	D						
f_{max}		4.5V	4.5V	4.5V	4.5V	IN	GND	GND	GND	GND	OUT	OUT	OUT	OUT	OUT	
t_{PLH} t_{PHL}	CK → Ripple Carry	4.5V	4.5V	4.5V	4.5V	IN	GND	GND	GND	GND	OUT	OUT	OUT	OUT	OUT	
	CK → Q	4.5V	4.5V	4.5V	4.5V	IN	GND	GND	GND	GND	OUT	OUT	OUT	OUT	OUT	
	CK → Q	4.5V	GND	GND	GND	IN	IN*	IN*	IN*	IN*	OUT	OUT	OUT	OUT	OUT	
	Enable T → Ripple Carry	4.5V	GND	4.5V	IN	IN*	4.5V	4.5V	4.5V	4.5V	OUT	OUT	OUT	OUT	OUT	
	CLR → Q	IN	GND	GND	GND	IN*	4.5V	4.5V	4.5V	4.5V	OUT	OUT	OUT	OUT	OUT	

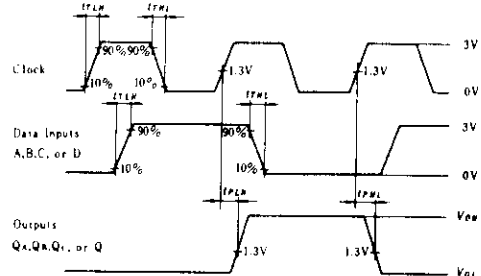
* For initialized

Waveform-1 f_{max} , t_{PLH} , t_{PHL} (Clock → Q, Ripple Carry)



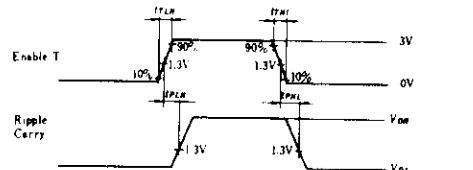
- Notes) 1. Clock input pulse: $t_{TLH} \leq 15ns$, $t_{THL} \leq 6ns$, $PRR=1MHz$, duty cycle=50% and: for f_{max} , $t_{PLH} = t_{THL} \leq 2.5ns$.
2. t_n is reference bit time when all outputs are low.

Waveform-2 t_{PLH} , t_{PHL} (Clock → Q)



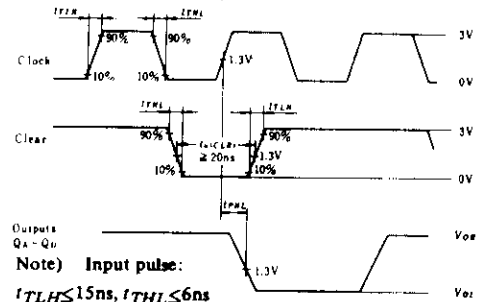
- Notes) Input pulse: $t_{TLH} \leq 15ns$, $t_{THL} \leq 6ns$, Clock input: $PRR=1MHz$, duty cycle 50%, Data input: $PRR=500kHz$, duty cycle 50%

Waveform-3 t_{PLH} , t_{PHL} (Enable T → Ripple Carry)



- Note) Input pulse: $t_{TLH} \leq 15ns$, $t_{THL} \leq 6ns$, $PRR=1MHz$

Waveform-4 t_{PHL} (Clear → Q)

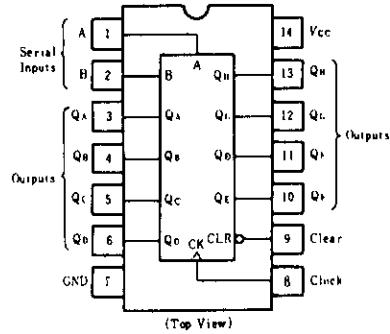


- Note) Input pulse: $t_{TLH} \leq 15ns$, $t_{THL} \leq 6ns$

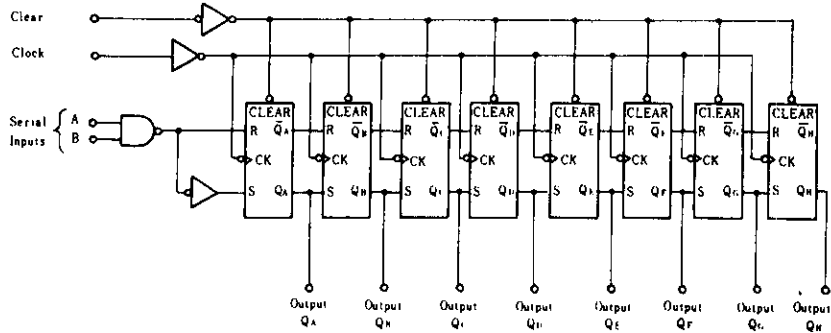
HD74LS164 ● 8-Bit Parallel-Out Serial-In Shift Registers

This 8-bit shift register features gated serial inputs and an asynchronous clear. The gated serial inputs (A and B) permit complete control over incoming data as a low at either (or both) input(s) inhibits entry of the new data and resets the first flip-flop to the low level at the next clock pulse. A high-level input enables the other input which will then determine the state of the first flip-flop. Data at the serial inputs may be changed while the clock is high or low, but only information meeting the setup requirements will be entered. Clocking occurs on the low-to-high-level transition of the clock input.

■ PIN ARRANGEMENT



■ BLOCK DIAGRAM



■ FUNCTION TABLE

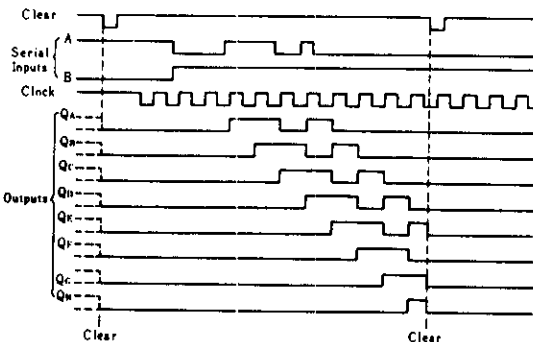
Inputs				Outputs			
Clear	Clock	A	B	QA	QB	...	QH
L	X	X	X	L	L		L
H	L	X	X	QA0	QB0		QH0
H	↑	H	H	H	QA _n		QG _n
H	↑	L	X	L	QA _n		QG _n
H	↑	X	L	L	QA _n		QG _n

- Notes) 1. H; high level, L; low level, X; irrelevant
 2. ↑; transition from low to high level
 3. QA₀, QB₀, QH₀; the level of QA, QB, or QH, respectively, before the indicated steady-state input conditions were established.
 4. QA_n, QG_n; the level of QA or QG before the most-recent ↑ transition of the clock; indicates a one-bit shift.

■ RECOMMENDED OPERATING CONDITIONS

Item	Symbol	min	typ	max	Unit
Clock frequency	f_{clock}	0	—	25	MHz
Clock pulse width	$t_{w(CK)}$	20	—	—	ns
Clear pulse width	$t_{w(CLR)}$	20	—	—	ns
Data setup time	t_{su}	15	—	—	ns
Data hold time	t_h	5	—	—	ns

■ TYPICAL CLEAR, SHIFT, AND CLEAR SEQUENCES



HD74LS164

■ ELECTRICAL CHARACTERISTICS ($T_a = -20 \sim +75^\circ\text{C}$)

Item	Symbol	Test Conditions	min	typ*	max	Unit
Input voltage	V_{IH}		2.0		—	V
	V_{IL}		—	—	0.8	V
Output voltage	V_{OH}	$V_{CC} = 4.75\text{V}$, $V_{IH} = 2\text{V}$, $V_{IL} = 0.8\text{V}$, $I_{OH} = -400\mu\text{A}$	2.7	—	—	V
	V_{OL}	$V_{CC} = 4.75\text{V}$, $V_{IH} = 2\text{V}$, $V_{IL} = 0.8\text{V}$				V
Input current	I_{IH}	$V_{CC} = 5.25\text{V}$, $V_I = 2.7\text{V}$	—	—	20	μA
	I_{IL}	$V_{CC} = 5.25\text{V}$, $V_I = 0.4\text{V}$	—	—	0.4	mA
	I_I	$V_{CC} = 5.25\text{V}$, $V_I = 7\text{V}$	—	—	0.1	mA
Short-circuit output current	I_{OS}	$V_{CC} = 5.25\text{V}$	—20	—	100	mA
Supply current**	I_{CC}	$V_{CC} = 5.25\text{V}$	—	16	27	mA
Input clamp voltage	V_{IK}	$V_{CC} = 4.75\text{V}$, $I_{IK} = -18\text{mA}$	—	—	—1.5	V

* $V_{CC} = 5\text{V}$, $T_a = 25^\circ\text{C}$

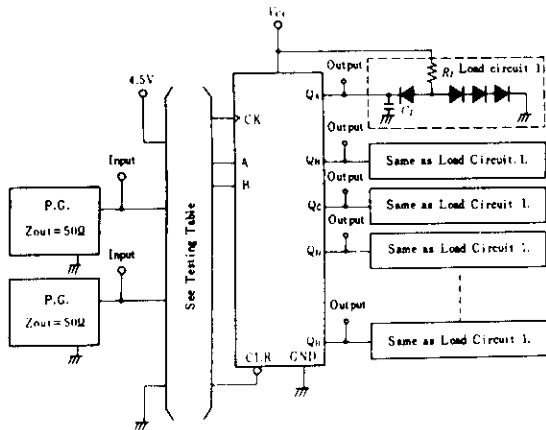
** I_{CC} is measured with outputs open, serial inputs grounded, the clock input at 2.4V, and a momentary grounded, then 4.5V applied to clear.

■ SWITCHING CHARACTERISTICS ($V_{CC} = 5\text{V}$, $T_a = 25^\circ\text{C}$)

Item	Symbol	Inputs	Outputs	Test Conditions	min	typ	max	Unit
Maximum clock frequency	f_{max}				25	36	—	MHz
Propagation delay time	t_{PHL}	Clear	Q	$C_L = 15\text{pF}$, $R_L = 2\text{k}\Omega$	—	24	36	ns
	t_{PLH}	Clock	Q		—	17	27	ns
	t_{PHL}	Clock	Q		—	21	32	ns

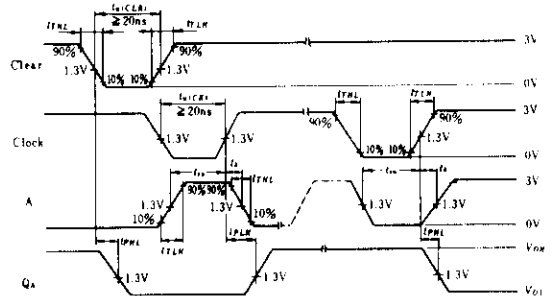
■ TESTING METHOD

1) Test Circuit



- Notes) 1. Input pulse: $t_{TLH} \leq 15\text{ns}$, $t_{THL} \leq 6\text{ns}$, $PRR = 1\text{MHz}$,
(Clock, Clear), $PRR = 500\text{kHz}$ (A or B)
2. C_L includes probe and jig capacitance.
3. All diodes are 1S2074 (E)

Waveform



Notes) Q_A output is illustrated. Relationship of serial input A and B data to other Q outputs is illustrated in the timing chart.

2) Testing Table

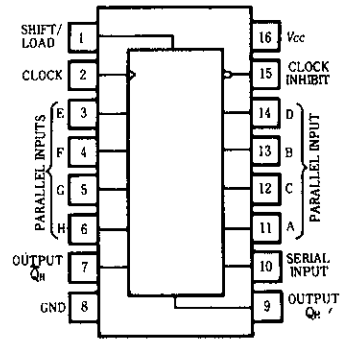
Item	From input to output	Inputs				Outputs							
		CLR	CK	A	B	Q_A	Q_H	Q_C	Q_D	Q_E	Q_F	Q_G	Q_H
f_{max}		4.5V	IN	IN	4.5V	OUT	OUT	OUT	OUT	OUT	OUT	OUT	OUT
t_{PLH}	Clear → Q	IN	IN	IN	4.5V	OUT	OUT	OUT	OUT	OUT	OUT	OUT	OUT
t_{PHL}	CK → Q	4.5V	IN	IN	4.5V	OUT	OUT	OUT	OUT	OUT	OUT	OUT	OUT

HD74LS165A • Parallel-Load 8-bit Shift Register

The LS165A are 8-bit serial shift registers that shift the data in the direction of Q_A toward Q_H when clocked. Parallel-in access to each stage is made available by eight individual direct data inputs that are enabled by a low level at the shift/load input. These registers also feature gated clock inputs and complementary outputs from the eighth bit. All inputs are diode-clamped to minimize transmission-line effects, thereby simplifying system design.

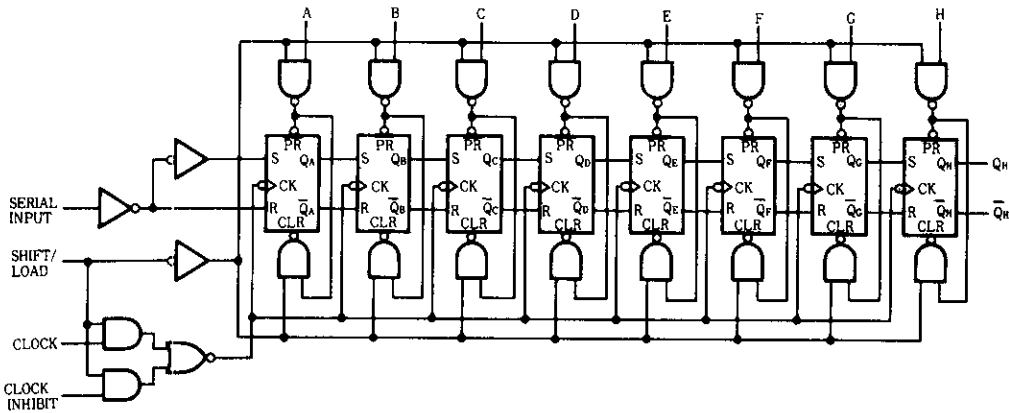
Clocking is accomplished through a 2-input positive-NOR gate, permitting one input to be used as a clock-inhibit function. Holding either of the clock inputs high inhibits clocking and holding either clock input low with the shift/load input high enables the other clock input. The clock-inhibit input should be changed to the high level only while the clock input is high. Parallel loading is inhibited as long as the shift/load input is high. Data at the parallel inputs are loaded directly into the register on a high-to-low transition of the shift/load input independently of the levels of the clock, clock inhibit, or serial inputs.

■ PIN ARRANGEMENT



(Top View)

■ BLOCK DIAGRAM



■ FUNCTION TABLE

SHIFT/LOAD		INPUTS				INTERNAL OUTPUTS		OUTPUT
LOAD	INHIBIT	CLOCK	SERIAL	PARALLEL	Q_A	Q_B	Q_H	
				A . . H	a	b	h	
L	X	X	X	a . . h	Q_{A0}	Q_{B0}	Q_{H0}	
H	L	↑	H	X	H	Q_{An}	Q_{Gn}	
H	L	↑	L	X	L	Q_{An}	Q_{Gn}	
H	H	X	X	X	Q_{A0}	Q_{B0}	Q_{H0}	

- Notes) 1. H; high level, L; low level, X; irrelevant
 2. ↑; transition from low to high level
 3. a ~ h; the level of steady-state input at inputs A to H respectively
 4. $Q_{A0} \sim Q_{H0}$; the level of Q_A to Q_H , respectively, before the indicated steady-state input conditions were established.
 5. $Q_{An} \sim Q_{Gn}$; the level of Q_A to Q_G , respectively, before the most recent ↓ transition of the clock.

HD74LS165A

RECOMMENDED OPERATING CONDITIONS

Item	Symbol	min	typ	max	Unit
High level output current	I_{OH}	—	—	—400	μA
Low level output current	I_{OL}	—	—	8	mA
Clock frequency	f_{clock}	0	—	25	MHz
Clock pulse width	t_w (clock)	25	—	—	ns
Load pulse width	t_w (load)	15	—	—	ns
Clock-enable Setup time	t_{su}	30	—	—	ns
Parallel-input Setup time	t_{su}	10	—	—	ns
Serial input setup time	t_{su}	20	—	—	ns
Shift setup time	t_{su}	45	—	—	ns
Hold time at only input	t_h	0	—	—	ns

ELECTRICAL CHARACTERISTICS ($T_a = -20 \sim +75^\circ\text{C}$)

Item		Symbol	Test Conditions	min	typ*	max	Unit
Input voltage		V_{IH}		2.0	—	—	V
		V_{IL}		—	—	0.8	V
Output voltage		V_{OH}	$V_{CC} = 4.75\text{V}$, $V_{IH} = 2\text{V}$, $V_{IL} = 0.8\text{V}$, $I_{OH} = -400\mu\text{A}$	2.7	—	—	V
		V_{OL}	$V_{CC} = 4.75\text{V}$, $V_{IH} = 2\text{V}$ $V_{IL} = 0.8\text{V}$			0.4	V
			$I_{OL} = 4\text{mA}$			0.5	V
			$I_{OL} = 8\text{mA}$			—	V
Input current	Shift/Load	I_I	$V_{CC} = 5.25\text{V}$ $V_I = 7\text{V}$	—	—	0.3	mA
	Other inputs			—	—	0.1	mA
High level input current	Shift/Load	I_{IH}	$V_{CC} = 5.25\text{V}$ $V_I = 2.7\text{V}$	—	—	60	μA
	Other inputs			—	—	20	μA
Low level input current	Shift/Load	I_{IL}	$V_{CC} = 5.25\text{V}$ $V_I = 0.4\text{V}$	—	—	1.2	mA
	Other inputs			—	—	—0.4	mA
Short-circuit output current		I_{OS}	$V_{CC} = 5.25\text{V}$	—20	—	—100	mA
Supply current**		I_{CC}	$V_{CC} = 5.25\text{V}$	—	—	36	mA
Input clamp voltage		V_{IK}	$V_{CC} = 4.75\text{V}$, $I_{IN} = -18\text{mA}$	—	—	1.5	V

* $V_{CC} = 5\text{V}$, $T_a = 25^\circ\text{C}$

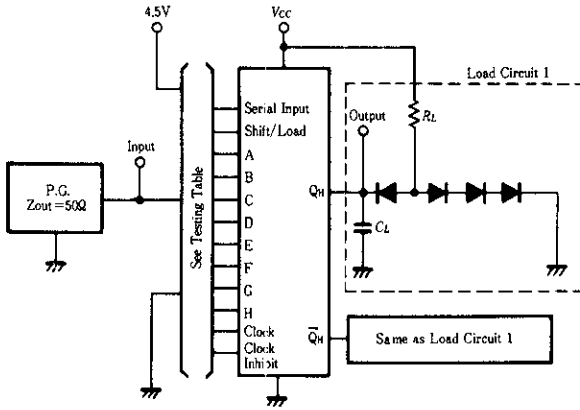
** With the outputs open, clock inhibit and clock at 4.5V, and a clock pulse applied to the shift/load, I_{CC} is measured with the parallel inputs at 4.5V, than with the parallel inputs grounded.

SWITCHING CHARACTERISTICS ($V_{CC} = 5\text{V}$, $T_a = 25^\circ\text{C}$)

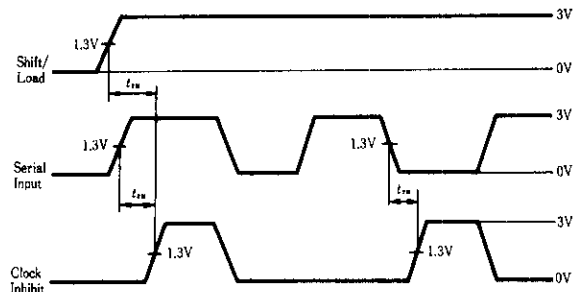
Item	Symbol	Input	Output	Test Conditions	min	typ	max	Unit
Maximum Clock frequency	f_{max}				25	35	—	MHz
Propagation Delay time	t_{PHL}	Load	Any	$C_L = 15\text{pF}$ $R_L = 2\text{k}\Omega$	—	21	35	ns
	t_{PLH}				—	26	35	ns
	t_{PHL}	Clock	Any		—	14	25	ns
	t_{PLH}				—	16	25	ns
	t_{PHL}	H	Q_H		—	13	25	ns
	t_{PLH}				—	24	30	ns
	t_{PHL}	H	Q_H		—	19	30	ns
	t_{PLH}				—	17	25	ns

TESTING METHOD

Test Circuit



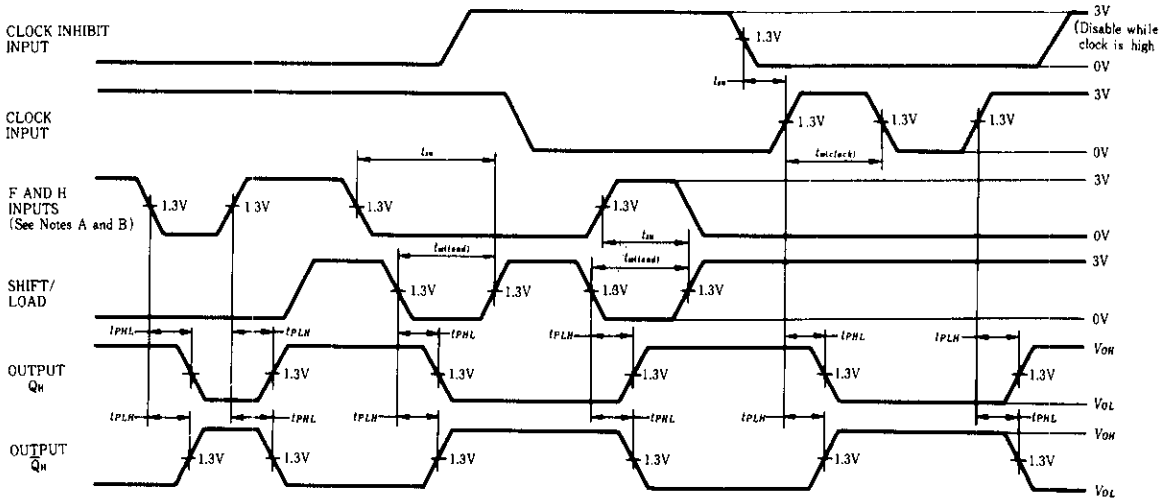
Waveform



- Notes) A. The eight data inputs and the clock-inhibit input are low. Results are monitored at output QH at t_{n+7} .
 B. The input pulse generators have the following characteristics: $PRR < 1$ MHz, duty cycle $< 50\%$, $Z_{out} \approx 50\Omega$, $t_r \leq 15$ ns, $t_f \leq 6$ ns.

- Notes) 1. C_L includes probe and jig capacitance.
 2. All diodes are 1S2074 $\text{\textcircled{H}}$.

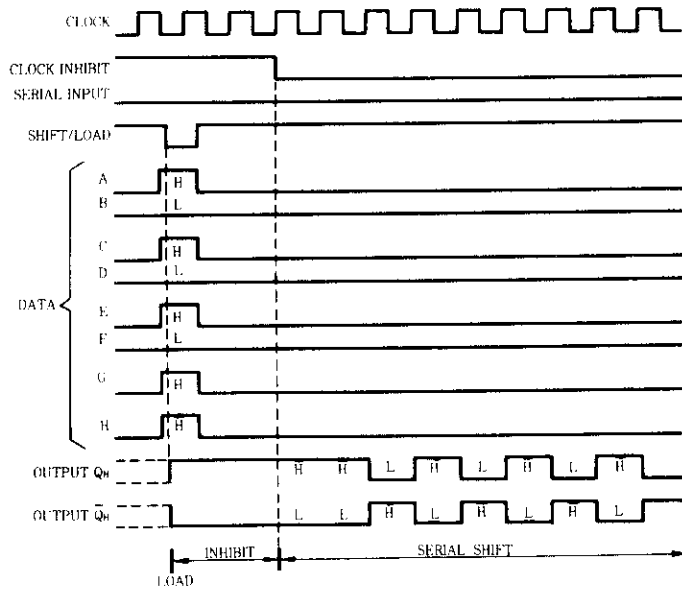
Waveform



- Notes) A. The remaining six data inputs and the serial input are low.
 B. Prior to test, high-level data is loaded into H input.
 C. The input pulse generators have the following characteristics: $PRR \leq 1$ MHz, duty cycle $\leq 50\%$, $Z_{out} \approx 50\Omega$, $t_r \leq 15$ ns, $t_f \leq 6$ ns.

HD74LS165A

TYPICAL SHIFT, LOAD AND INHIBIT SEQUENCES



HD74LS166A ● 8-bit Shift Registers

The inputs are buffered to lower the drive requirements to one series 74 or 74LS standard load, respectively. Input clamping diodes minimize switching transients and simplify system design. This parallel-in or serial-in, serial-out shift register has a complexity of 77 equivalent gates on a monolithic chip. This device features gated clock inputs and an overriding clear input.

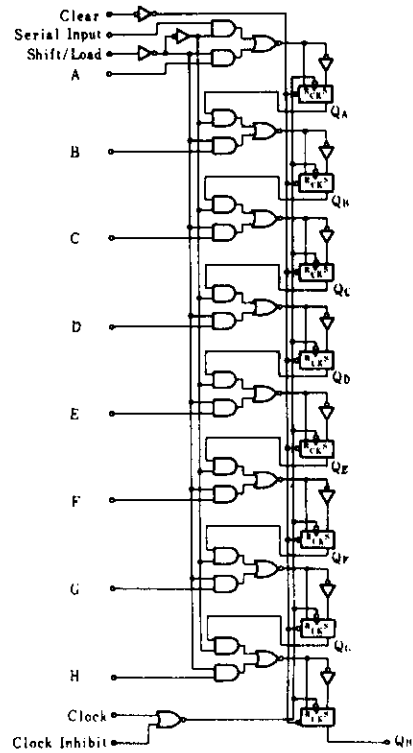
The parallel-in or serial-in modes are established by the shift/load input.

When high, this input enables the serial data input and couples the eight flip-flops for serial shifting with each clock pulse. When low, the parallel (broadside) data inputs are enabled and synchronous loading occurs on the next clock pulse. During parallel loading, serial data flow is inhibited.

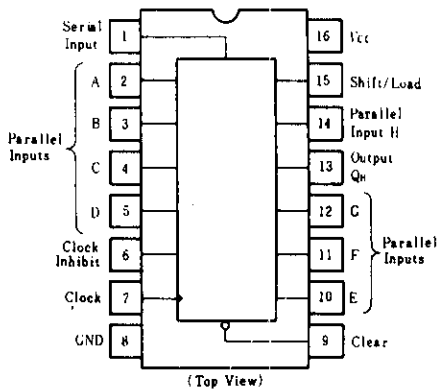
Clocking is accomplished on the low-to-high-level edge of the clock pulse through a two-input positive NOR gate permitting one input to be used as a clock-enable or clock-inhibit function. Holding either of the clock inputs high inhibits clocking; holding either low enables the other clock input.

This, of course, allows the system clock to be free-running and the register can be stopped on command with the other clock input. The clock-inhibit input should be changed to the high level only while the clock input is high. A buffered, direct clear input overrides all other inputs, including the clock, and sets all flip-flops to zero.

■ BLOCK DIAGRAM



■ PIN ARRANGEMENT



■ FUNCTION TABLE

Clear	Shift Load	Clock Inhibit	Clock	Serial	Inputs		Internal Outputs		Outputs
					A...H	Parallel	QA	QH	
L	X	X	X	X	X	X	L	L	L
H	X	L	L	X	X	X	QA0	QH0	QH0
H	L	L	↑	X	a...h	X	a	b	h
H	H	L	↑	H	X	X	H	QA _n	QH _n
H	H	L	↑	L	X	X	L	QA _n	QH _n
H	X	H	↑	X	X	X	QA0	QH0	QH0

- Notes) 1. H; high level, L; low level, X; irrelevant
 2. ↑; transition from low to high level
 3. ↓; transition from high to low level
 4. a~h; the level of steady-state input at inputs A to H respectively
 5. QA0~QH0; the level of QA to QH, respectively, before the indicated steady-state input conditions were established.
 6. QA_n~QH_n; the level of QA to QH, respectively, before the most recent ↓ transition of the clock.

■ RECOMMENDED OPERATING CONDITIONS

Item	Symbol	min	nom	max	Unit
High level output current	I_{OH}	—	—	-400	μA
Low level output current	I_{OL}	—	—	8	mA
Clock frequency	f_{clock}	0	—	25	MHz
Clock and clear pulse width	t_w	20	—	—	ns
Mode control setup time	t_{su}	30	—	—	ns
Data setup time	t_{su}	20	—	—	ns
Hold time	t_h	0	—	—	ns

HD74LS166A

■ ELECTRICAL CHARACTERISTICS ($T_a = -20 \sim +75^\circ\text{C}$)

Item	Symbol	Test Conditions	min	typ*	max	Unit
Input voltage	V_{IH}		2.0	—	—	V
	V_{IL}		—	—	0.8	V
Output voltage	V_{OH}	$V_{CC} = 4.75\text{V}$, $V_I = 2\text{V}$, $V_{IH} = 0.8\text{V}$, $I_{OH} = -400\mu\text{A}$	2.7	—	—	V
	V_{OL}	$V_{CC} = 4.75\text{V}$, $V_I = 2\text{V}$ $I_{OL} = 4\text{mA}$	—	—	0.4	V
		$V_{IL} = 0.8\text{V}$ $I_{OL} = 8\text{mA}$	—	—	0.5	V
Input current	I_{IH}	$V_{CC} = 5.25\text{V}$, $V_I = 2.7\text{V}$	—	—	20	μA
	I_{IL}	$V_{CC} = 5.25\text{V}$, $V_I = 0.4\text{V}$	—	—	-0.4	mA
	I_I	$V_{CC} = 5.25\text{V}$, $V_I = 7\text{V}$	—	—	0.1	mA
Short-circuit output current	I_{OS}	$V_{CC} = 5.25\text{V}$	-20	—	-100	mA
Supply current**	I_{CC}	$V_{CC} = 5.25\text{V}$	—	20	32	mA
Input clamp voltage	V_{IK}	$V_{CC} = 4.75\text{V}$, $I_{IK} = -18\text{mA}$	—	—	-1.5	V

* $V_{CC} = 5\text{V}$, $T_a = 25^\circ\text{C}$

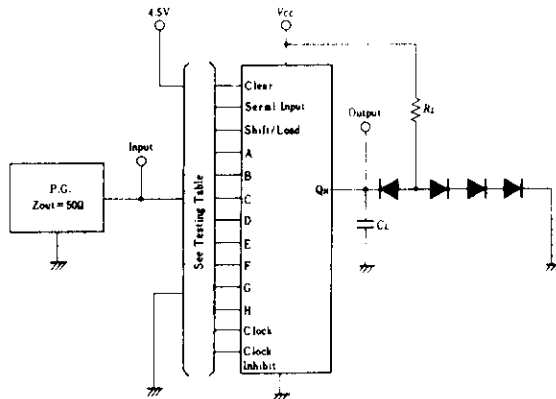
** With all outputs open, 4.5V applied to the serial input and all other inputs except the clock grounded, I_{CC} is measured after a momentary ground, then 4.5V, is applied to clock.

■ SWITCHING CHARACTERISTICS ($V_{CC} = 5\text{V}$, $T_a = 25^\circ\text{C}$)

Item	Symbol	Inputs	Test Conditions	min	typ	max	Unit
Maximum clock frequency	f_{max}			25	35	—	MHz
Propagation delay time	t_{PHL}	Clear	$C_L = 15\text{pF}$	—	19	30	ns
	t_{PLH}	Clock	$R_L = 2\text{k}\Omega$	7	14	25	ns
	t_{PLH}			5	11	20	ns

■ TESTING METHOD

1) Test Circuit

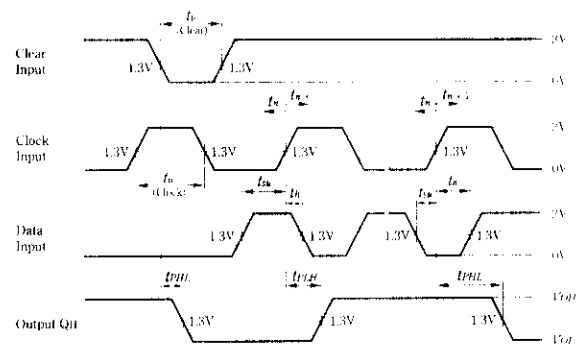


- Notes) 1. C_L includes probe and jig capacitance.
2. All diodes are 1S2074 (H).

2) Testing Table

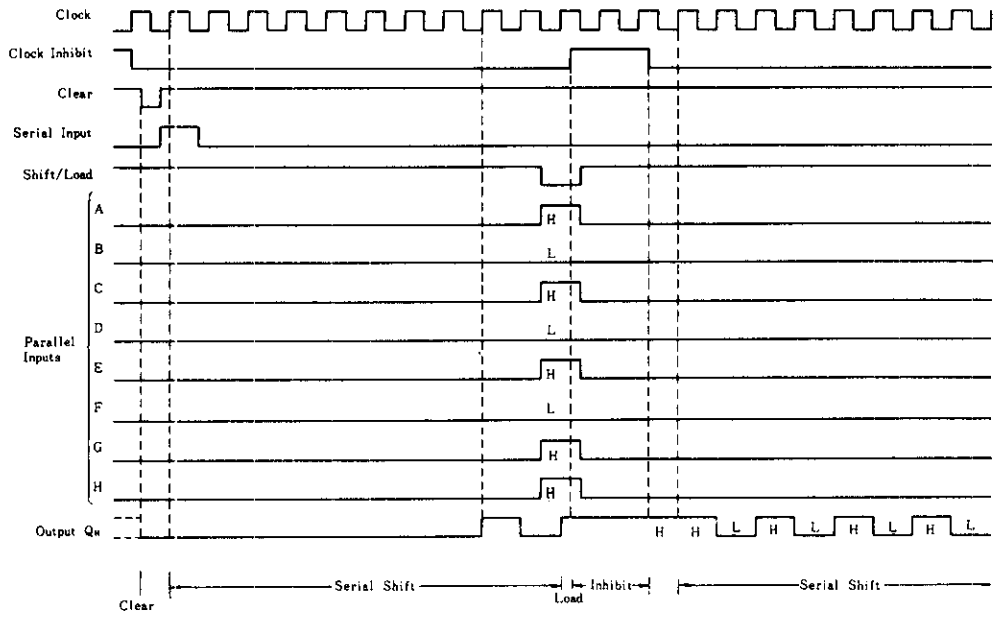
Data inputs	Shift/Load	Output	Bit time
Data H	0V	Q_H	t_{n+1}
Serial-in	4.5V	Q_H	t_{n+8}

Waveform



- Notes) 1. Input pulse: $t_{TLH} \leq 15\text{ns}$, $t_{THL} \leq 6\text{ns}$, $PRR = 1\text{MHz}$
duty cycle 50%
Clock input: $t_w \geq 20\text{ns}$
Clear input: $t_w \geq 20\text{ns}$, $t_h = 10\text{ns}$, when testing f_{max} , vary the clock PRR .
2. Propagation delay time (t_{PLH} and t_{PHL}) are measured at t_{n+1} . Proper shifting of data is verified at t_{n+8} with a functional test.
3. t_n ; bit time before clocking transition.
 t_{n+1} ; bit time after one clocking transition.
 t_{n+8} ; bit time after eight clocking transition.

TYPICAL CLEAR, SHIFT, LOAD, INHIBIT, AND SHIFT SEQUENCES



HD74LS170 ● 4-by-4 Register File (with open collector outputs)

The HD74LS170 is organized as 4 words of 4 bits each and separate on-chip decoding is provided for addressing the four word locations to either write-in or retrieve data. This permits simultaneous writing into one location and reading from another word location.

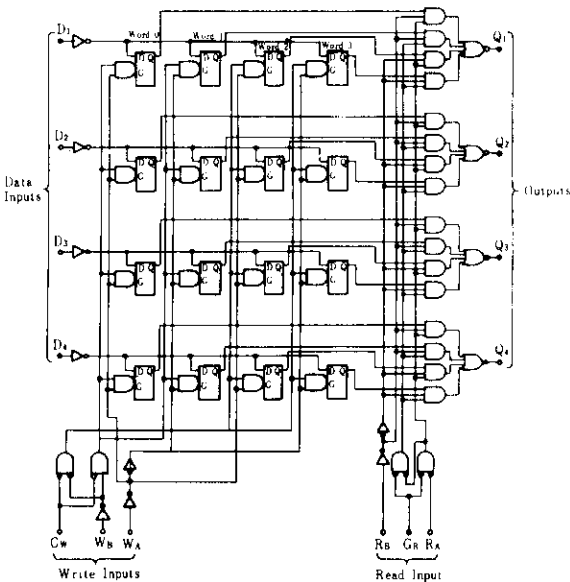
Four data inputs are available which are used to supply the 4-bit word to be stored. Location of the word is determined by the write-address inputs A and B in conjunction with a write-enabled signal.

Data applied at the inputs should be in its true form. That is, if a high-level signal is desired from the output, a high level is applied at the data input for that particular bit location. The latch inputs are arranged so that new data will be accepted only if both internal address gate inputs are high. When this condition exists, data at the D input is transferred to the latch output. When the write-enabled input, G_W , is high, the data inputs are inhibited and their levels can cause no change in the information stored in the internal latches.

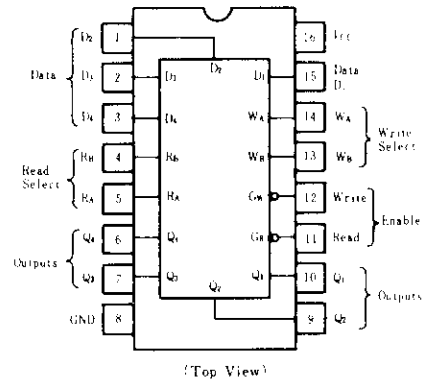
When the read-enabled input, G_R , is high, the data outputs are inhibited and remain high, the individual address lines permit direct acquisition of data stored in any four of the latches. Four individual decoding gates are used to complete the address for reading a word.

When the read address is made in conjunction with the read-enabled signal the word appears at the four outputs.

■ BLOCK DIAGRAM



■ PIN ARRANGEMENT



■ FUNCTION TABLE

Write Inputs			Word			
W_B	W_A	G_W	0	1	2	3
L	L	L	$Q_0 = D_0$	$Q_1 = D_1$	$Q_2 = D_2$	$Q_3 = D_3$
L	H	L	Q_0	$Q_1 = D_1$	Q_2	Q_3
H	L	L	Q_0	Q_1	$Q_2 = D_2$	Q_3
H	H	L	Q_0	Q_1	Q_2	$Q_3 = D_3$
X	X	H	Q_0	Q_1	Q_2	Q_3

Read Inputs			Outputs			
W_B	W_A	G_W	0	1	2	3
L	L	L	$W_0 B_1$	$W_0 B_2$	$W_0 B_3$	$W_0 B_4$
L	H	L	$W_1 B_1$	$W_1 B_2$	$W_1 B_3$	$W_1 B_4$
H	L	L	$W_2 B_1$	$W_2 B_2$	$W_2 B_3$	$W_2 B_4$
H	H	L	$W_3 B_1$	$W_3 B_2$	$W_3 B_3$	$W_3 B_4$
X	X	H	H	H	H	H

- Notes: H = high level, L = low level, X = irrelevant.
 (Q=D) = The four selected internal flip-flop outputs will assume the states applied to the four external data inputs.
 Q_0 = The level of Q before the indicated input conditions were established.
 $W_0 B_1$ = The first bit of word 0, etc.

RECOMMENDED OPERATING CONDITIONS

Item		Symbol	min	typ	max	Unit
Supply Voltage		V_{CC}	4.75	5	5.25	V
Output Voltage		V_{OH}	—	—	5.5	V
Output Current		I_{OL}	—	—	8	mA
Pulse width	Read enable	t_w	25	—	—	ns
	Write enable		60	—	—	
Setup Time	Data input	t_{sv}	10	—	—	ns
	Write select		15	—	—	
Hold Time	Data input	t_h	15	—	—	ns
	Write select		5	—	—	
Latch time		t_{latch}	60	—	—	ns

ELECTRICAL CHARACTERISTICS ($T_a = -20 \sim +75^\circ\text{C}$)

Item		Symbol	Test Condition	min	typ*	max	Unit
Input Voltage		V_{IH}		2.0	—	—	V
		V_{IL}		—	—	0.8	V
Output Current		I_{OH}	$V_{CC}=4.75\text{V}, V_{OH}=5.5\text{V}, V_{IL}=0.8\text{V}, V_{IH}=2\text{V}$	—	—	100	μA
Output Voltage		V_{OL}	$V_{CC}=4.75\text{V}, V_{IH}=2\text{V}, V_{IL}=0.8\text{V}$	—	—	0.4	V
						0.5	
Input Current	Any D, R or W G _R or G _W	I_{IH}	$V_{CC}=5.25\text{V}, V_i=2.7\text{V}$	—	—	20	μA
				—	—	40	
	Any D, R or W G _R or G _W	I_{IL}	$V_{CC}=5.25\text{V}, V_i=0.4\text{V}$	—	—	-0.4	mA
				—	—	-0.8	
	Any D, R or W G _R or G _W	I_I	$V_{CC}=5.25\text{V}, V_i=7\text{V}$	—	—	0.1	mA
				—	—	0.2	
Supply Current		I_{CC}^{**}	$V_{CC}=5.25\text{V}$	—	25	40	mA
Input clamp voltage		V_{IK}	$V_{CC}=4.75\text{V}, I_{IH}=-18\text{mA}$	—	—	-1.5	V

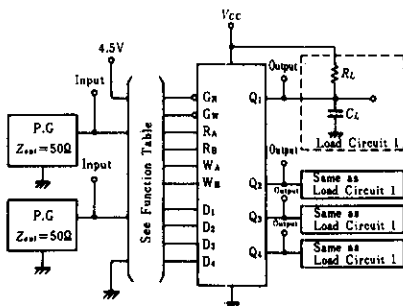
* $V_{CC}=5\text{V}, T_a=25^\circ\text{C}$

** : Typical I_{CC} shown is an average for 50% duty cycle. Maximum I_{CC} is guaranteed for the following worst case conditions: 4.5V is applied to all data inputs and both enable inputs, all address inputs are grounded, and all outputs are open.

SWITCHING CHARACTERISTICS ($V_{CC}=5\text{V}, T_a=25^\circ\text{C}$)

Item	Symbol	Inputs	Outputs	Test Conditions	min	typ	max	Unit
Propagation Delay Time	t_{PLH}	Read enable	$Q_1 \sim Q_4$	$C_L=15\text{pF}$ $R_L=2\text{k}\Omega$	—	20	30	ns
	t_{PHL}	Read select	$Q_1 \sim Q_4$		—	20	30	
	t_{PLH}	Write enable	$Q_1 \sim Q_4$		—	25	40	
	t_{PHL}	Write enable	$Q_1 \sim Q_4$		—	24	40	
	t_{PLH}	Data	$Q_1 \sim Q_4$		—	30	45	
	t_{PHL}	Data	$Q_1 \sim Q_4$		—	30	45	
	t_{PLH}	Data	$Q_1 \sim Q_4$		—	30	45	
	t_{PHL}	Data	$Q_1 \sim Q_4$		—	22	30	

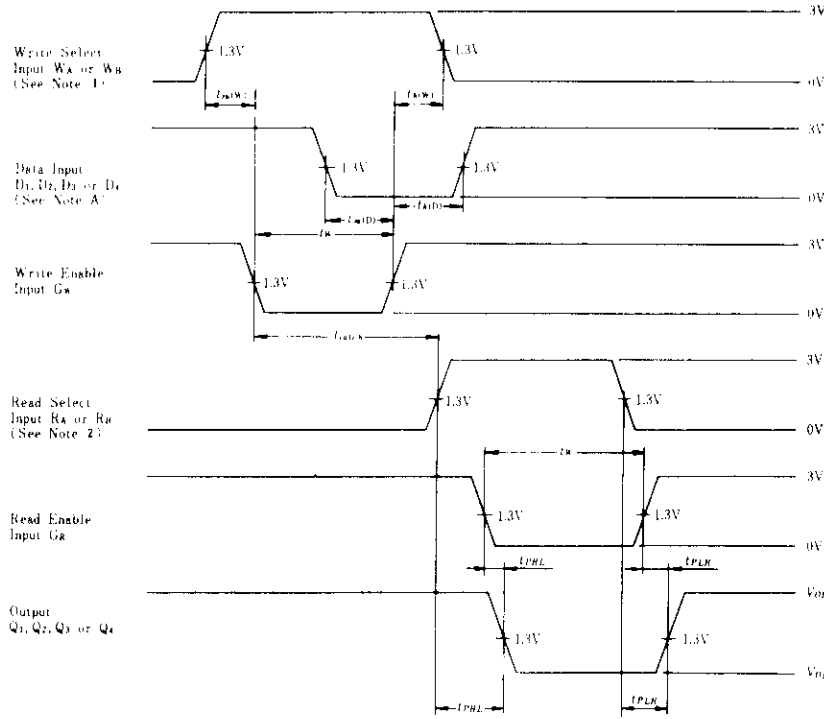
TESTING METHOD



- Notes:
1. C_L includes probe and jig capacitance.
 2. All diodes are 1S2074 (H).

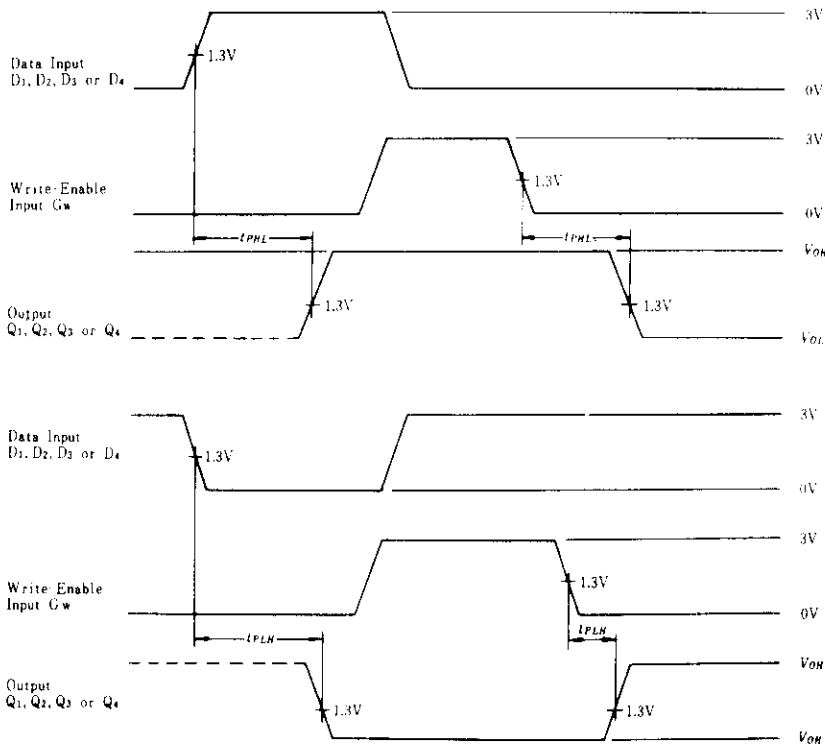
HD74LS170

Waveform-1



- Notes:
1. High-level input pulses at the select and data inputs are illustrated in Waveform-1; however, times associated with low-level pulses are measured from the same reference points.
 2. When measuring delay times from a read-select input, the read-enable input is low. When measuring delay times from the read-enable input, both read-select inputs have been established at steady states.
 3. Input pulse; $t_{TLH} \leq 15\text{ns}$, $t_{THL} \leq 6\text{ns}$, $PRR \leq 1\text{MHz}$, duty cycle 50%.

Waveform-2

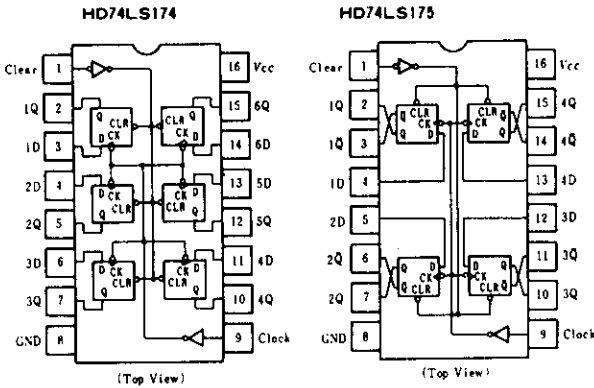


Note: In Waveform-2, each select address is tested. Prior to the start of each of the above tests, both write and read address inputs are stabilized with $W_A=R_A$ and $W_B=R_B$. During the test G_R is low.

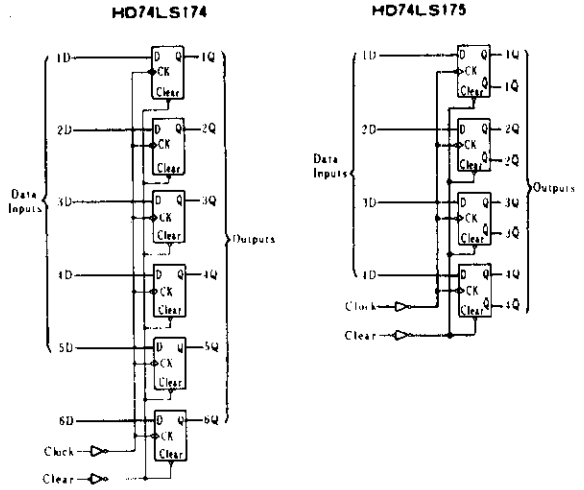
HD74LS174/HD74LS175 ●Hex/Quadruple D-type Flip-Flops (with clear)

These positive-edge-triggered flip-flops utilize TTL circuitry to implement D-type flip-flop logic. All have a direct clear input, and the HD74LS175 features complementary outputs from each flip-flops. Information at the D inputs meeting the setup time requirements is transferred to the Q outputs on the positive-going edge of the clock pulse. Clock triggering occurs at a particular voltage level and is not directly related to the transition time of the positive-going pulse. When the clock input is at either the high or low level, the D input signal has no effect at the outputs.

■PIN ARRANGEMENT



■BLOCK DIAGRAM



■RECOMMENDED OPERATING CONDITIONS

Item	Symbol	min	max	Unit
Clock frequency	f_{clock}	0	30	MHz
Clock pulse width	$t_w(CK)$	20	—	ns
Clear pulse width	$t_w(CLR)$	20	—	ns
Setup time	Data input	$t_{su}(data)$	20	ns
	Clear inactive-state	$t_{su}(CLR)$	25	ns
Data hold time	$t_h(data)$	5	—	ns

■FUNCTION TABLE

Inputs			Outputs	
Clear	Clock	D	Q	\bar{Q}
L	X	X	L	H
H	↑	H	H	L
H	↑	L	L	H
H	L	X	Q_0	\bar{Q}_0

- Notes) 1. H; high level, L; low level, X; irrelevant
 2. ↑; transition from low to high level
 3. Q_0 ; the level of Q before the indicated steady-state input conditions were established.
 4. \bar{Q} is applied to HD74LS175 only.

■ELECTRICAL CHARACTERISTICS ($T_a = -20 \sim +75^\circ\text{C}$)

Item	Symbol	Test Conditions	min	typ*	max	Unit	
Input voltage	V_{IH}		2.0	—	—	V	
	V_{IL}		—	—	0.8	V	
Output voltage	V_{OH}	$V_{CC} = 4.75\text{V}, V_{IH} = 2\text{V}, V_{IL} = 0.8\text{V}, I_{OH} = -400\mu\text{A}$	2.7	—	—	V	
	V_{OL}	$V_{CC} = 4.75\text{V}, V_{IH} = 2\text{V}, V_{IL} = 0.8\text{V}$	—	—	0.5	V	
Input current	I_I	$V_{CC} = 5.25\text{V}, V_I = 7\text{V}$	—	—	0.1	mA	
	I_{IH}	$V_{CC} = 5.25\text{V}, V_I = 2.7\text{V}$	—	—	20	μA	
	I_{IL}	$V_{CC} = 5.25\text{V}, V_I = 0.4\text{V}$	—	—	-0.4	mA	
Short-circuit output current	I_{OS}	$V_{CC} = 5.25\text{V}$	-20	—	-100	mA	
Supply current**	I_{CC}	$V_{CC} = 5.25\text{V}$	HD74LS174	—	16	26	mA
			HD74LS175	—	11	18	
Input clamp voltage	V_{IK}	$V_{CC} = 4.75\text{V}, I_{IN} = -18\text{mA}$	—	—	-1.5	V	

* $V_{CC} = 5\text{V}, T_a = 25^\circ\text{C}$

** With all outputs open and 4.5V applied to all data and clear inputs, I_{CC} is measured after a momentary grounded, then 4.5V, is applied to clock.

HD74LS174/HD74LS175

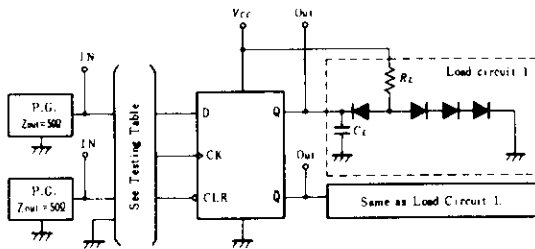
■ SWITCHING CHARACTERISTICS ($V_{CC} = 5V, T_a = 25^\circ C$)

Item	Symbol	Inputs	Outputs	Test Conditions	min	typ	max	Unit
Maximum clock frequency	f_{max}	Clock	Q, \bar{Q}^*	$C_L = 15pF, R_L = 2k\Omega$	30	40	—	MHz
Propagation delay time	t_{PLH}	Clear	\bar{Q}^*		—	16	25	ns
	t_{PHL}		Q		—	23	35	
	t_{PLH}	Clock	Q, \bar{Q}^*		—	20	30	
	t_{PHL}		Q, \bar{Q}^*		—	21	30	

* HD74LS175 only

■ TESTING METHOD

1) Test Circuit



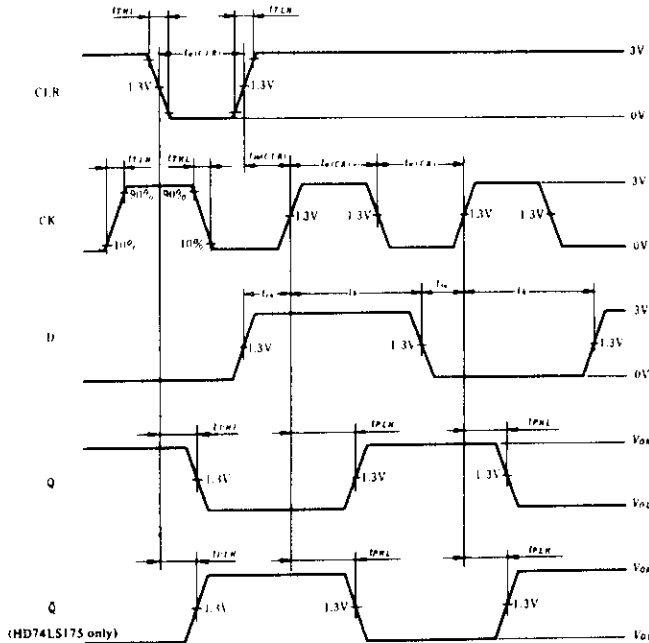
2) Testing Table

Item	From input to output	Inputs			Outputs	
		CLR	CK	D	Q	\bar{Q}^*
f_{max}	CK → Q, \bar{Q}^*	4.5V	IN	IN	OUT	OUT
t_{PLH}	CK → Q, \bar{Q}^*	4.5V	IN	IN		
t_{PHL}	CLR → Q, \bar{Q}^*	IN	IN	4.5V		

* HD74LS175 only

- Notes) 1. Test is put into the each flip-flop
 2. All diodes are 1S2074 (H).
 3. C_L includes probe and jig capacitance.

Waveform



- Notes) 1. Input pulse; $t_{TLH} \leq 15ns, t_{THL} \leq 6ns, PRR = 1MHz$
 and: for $f_{max}, t_{TLH} = t_{THL} \leq 2.5ns$.

HD74LS181 • Arithmetic Logic Units/Function Generators

The HD74LS181 is arithmetic logic unit (ALU)/function generator that have a complexity of 75 equivalent gates. This circuit performs 16 binary arithmetic operations on two 4-bit words as shown in Function Table (Table 1 and 2).

These operations are selected by the four function-select lines (S0, S1, S2, S3) and include addition, subtraction, decrement, and straight transfer.

When performing arithmetic manipulations, the internal carries must be enabled by applying a low-level voltage to the mode control input (M).

A full carry look-ahead scheme is made available in this device for fast, simultaneous carry generation by means of two cascade-outputs (pin 15 and 17) for the four bits in the package. When used in conjunction with the HD74182 or HD74S182, full carry look-ahead circuits, high-speed arithmetic operations can be performed. The typical addition times shown above illustrate the little additional time required for addition of longer words when full carry look-ahead is employed. If high speed is not of importance, a ripple-carry input (C_n) and a ripple-carry output (C_{n+4}) are available. However, the ripple-carry delay has also been minimized so that arithmetic manipulations for small word lengths can be performed without external circuitry.

The HD74LS181 will accommodate active-high or active-low data if the pin designations are interpreted as follows.

Pin No.	2	1	23	22	21	20	19	18
Active-high data (Table 1)	A ₀	B ₀	A ₁	B ₁	A ₂	B ₂	A ₃	B ₃
Active-low data (Table 2)	\bar{A}_0	\bar{B}_0	\bar{A}_1	\bar{B}_1	\bar{A}_2	\bar{B}_2	\bar{A}_3	\bar{B}_3
Pin No.	9	10	11	13	7	16	15	17
Active-high data (Table 1)	F ₀	F ₁	F ₂	F ₃	C _n	C _{n+4}	X	Y
Active-low data (Table 2)	\bar{F}_0	\bar{F}_1	\bar{F}_2	\bar{F}_3	\bar{C}_n	\bar{C}_{n+4}	\bar{P}	\bar{G}

Subtraction is accomplished by 1's complement addition where the 1's complement of the subtrahend is generated internally. The resultant output is A-B-1, which requires an end-around or forced carry to provide A-B.

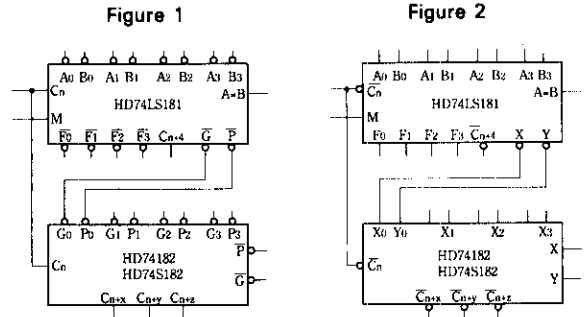
The HD74LS181 can also be utilized as a comparator. The A=B output is internally decoded from the function outputs (F₀, F₁, F₂, F₃) so that when two words of equal magnitude are applied at the A and B inputs, it will assume a high level to indicate equality (A=B). The ALU should be in the subtract mode with C_n=H when performing this comparison. The A=B output is open-collector so that it can be wire-AND connected to give a comparison for more than four bits. The carry output (C_{n+4}) can also be used to supply relative magnitude information. Again, the ALU should be placed in the subtract mode by placing the function select inputs S₃, S₂, S₁, S₀ at L, H, H, L, respectively.

Input C _n	Output C _{n+4}	Active-high data (Table 1)	Active-low data (Table 2)
H	H	A ≤ B	A ≥ B
H	L	A > B	A < B
L	H	A < B	A > B
L	L	A ≥ B	A ≤ B

This circuit have been designed to not only incorporate all of the designer's requirements for arithmetic operations, but also to provide 16 possible functions of two Boolean variables without the use of external circuitry. These logic functions are selected by use of the four function-select inputs (S₀, S₁, S₂, S₃) with the mode-control input (M) at a high level to disable the internal carry. The 16 logic functions are detailed in Table 1 and 2 and include exclusive-OR, NAND, AND NOR, and OR functions.

• Signal Designations

The HD74LS181 together with the HD74182 and HD74S182 can be used with the signal designations of either Figure 1 or Figure 2. The inversion indicators and the bars over the terminal letter symbols (e.g. \bar{C}) each indicate that the associated input or output is active with respect to the selected function of the device when that input or output is low. That is, a low at \bar{C} means "do carry" while a high means "not to carry". The logic functions and arithmetic operations of Figure 2 are given in Table 2.



HD74LS181

FUNCTION TABLE

● Table 1

S Inputs				Active-high data		
				M = "H" Logic Functions	M = "L" : Arithmetic Operations	
S ₃	S ₂	S ₁	S ₀		$\bar{C}_n = "H"$ (no carry)	$\bar{C}_n = "L"$ (with carry)
L	L	L	L	$F = \bar{A}$	$F = A$	$F = A \text{ plus } 1$
L	L	L	H	$F = \bar{A} + B$	$F = A + B$	$F = (A + B) \text{ plus } 1$
L	L	H	L	$F = \bar{A}B$	$F = A + B$	$F = (A + B) \text{ plus } 1$
L	L	H	H	$F = 0$	$F = \text{minus } 1 \text{ (2's compl)}$	$F = \text{Zero}$
L	H	L	L	$F = \bar{A}\bar{B}$	$F = A \text{ plus } \bar{A}B$	$F = A \text{ plus } \bar{A}B \text{ plus } 1$
L	H	L	H	$F = \bar{B}$	$F = (A + B) \text{ plus } \bar{A}B$	$F = (A + B) \text{ plus } \bar{A}B \text{ plus } 1$
L	H	H	L	$F = A \oplus B$	$F = A \text{ minus } B \text{ minus } 1$	$F = A \text{ minus } B$
L	H	H	H	$F = \bar{A}B$	$F = \bar{A}B \text{ minus } 1$	$F = \bar{A}B$
H	L	L	L	$F = \bar{A} + B$	$F = A \text{ plus } \bar{A}B$	$F = A \text{ plus } \bar{A}B \text{ plus } 1$
H	L	L	H	$F = \bar{A} \oplus B$	$F = A \text{ plus } B$	$F = A \text{ plus } B \text{ plus } 1$
H	L	H	L	$F = \bar{B}$	$F = (A + \bar{B}) \text{ plus } \bar{A}B$	$F = (A + \bar{B}) \text{ plus } \bar{A}B \text{ plus } 1$
H	L	H	H	$F = \bar{A}B$	$F = \bar{A}B \text{ minus } 1$	$F = \bar{A}B$
H	H	L	L	$F = 1$	$F = A \text{ plus } A^*$	$F = A \text{ plus } A \text{ plus } 1$
H	H	L	H	$F = A + B$	$F = (A + B) \text{ plus } A$	$F = (A + B) \text{ plus } A \text{ plus } 1$
H	H	H	L	$F = A + B$	$F = (A + \bar{B}) \text{ plus } A$	$F = (A + \bar{B}) \text{ plus } A \text{ plus } 1$
H	H	H	H	$F = A$	$F = A \text{ minus } 1$	$F = A$

Notes) H; high level, L; low level

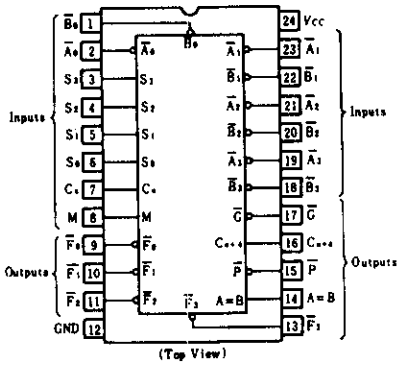
* Each bit is shifted to the next more significant position.

● Table 2

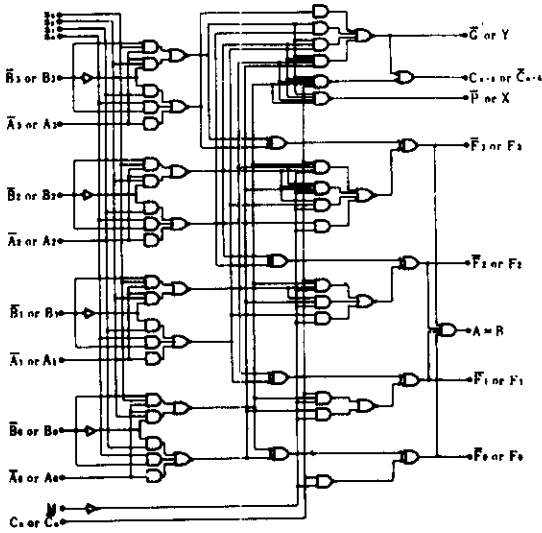
S Inputs				Active-low data		
				M = "H" Logic Functions	M = "L" : Arithmetic Operations	
S ₃	S ₂	S ₁	S ₀		$C_n = "L"$ (no carry)	$C_n = "H"$ (with carry)
L	L	L	L	$F = \bar{A}$	$F = A \text{ minus } 1$	$F = A$
L	L	L	H	$F = \bar{A}\bar{B}$	$F = \bar{A}B \text{ minus } 1$	$F = \bar{A}B$
L	L	H	L	$F = \bar{A} + B$	$F = \bar{A}\bar{B} \text{ minus } 1$	$F = \bar{A}B$
L	L	H	H	$F = 1$	$F = \text{minus } 1 \text{ (2's compl)}$	$F = 0$
L	H	L	L	$F = \bar{A} + B$	$F = A \text{ plus } (A + \bar{B})$	$F = A \text{ plus } (A + \bar{B}) \text{ plus } 1$
L	H	L	H	$F = \bar{B}$	$F = \bar{A}B \text{ plus } (A + \bar{B})$	$F = \bar{A}B \text{ plus } (A + \bar{B}) \text{ plus } 1$
L	H	H	L	$F = \bar{A} \oplus B$	$F = A \text{ minus } B \text{ minus } 1$	$F = A \text{ minus } B$
L	H	H	H	$F = A + B$	$F = A + B$	$F = (A + \bar{B}) \text{ plus } 1$
H	L	L	L	$F = \bar{A}\bar{B}$	$F = A \text{ plus } (A + B)$	$F = A \text{ plus } (A + B) \text{ plus } 1$
H	L	L	H	$F = A \oplus B$	$F = A \text{ plus } B$	$F = A \text{ plus } B \text{ plus } 1$
H	L	H	L	$F = \bar{B}$	$F = \bar{A}B \text{ plus } (A + B)$	$F = \bar{A}B \text{ plus } (A + B) \text{ plus } 1$
H	L	H	H	$F = A + B$	$F = A + B$	$F = (A + B) \text{ plus } 1$
H	H	L	L	$F = 0$	$F = A \text{ plus } A^*$	$F = A \text{ plus } A \text{ plus } 1$
H	H	L	H	$F = \bar{A}B$	$F = \bar{A}B \text{ plus } A$	$F = \bar{A}B \text{ plus } A \text{ plus } 1$
H	H	H	L	$F = \bar{A}B$	$F = \bar{A}\bar{B} \text{ plus } A$	$F = \bar{A}\bar{B} \text{ plus } A \text{ plus } 1$
H	H	H	H	$F = A$	$F = A$	$F = A \text{ plus } 1$

* Each bit is shifted to the next more significant position.

PIN ARRANGEMENT



BLOCK DIAGRAM



ABSOLUTE MAXIMUM RATINGS

Item	Symbol	Ratings	Unit
Supply voltage	V_{CC}	7.0	V
Input voltage	V_{IN}	5.5	V
Operating temperature range	T_{OP}	-20 ~ +75	°C
Storage temperature range	T_{STG}	-65 ~ +150	°C

PIN DESIGNATIONS

Item	Functions
$\bar{A}_3, \bar{A}_2, \bar{A}_1, \bar{A}_0$	Word A Inputs
$\bar{B}_3, \bar{B}_2, \bar{B}_1, \bar{B}_0$	Word B Inputs
S_3, S_2, S_1, S_0	Function-Select Inputs
C_n	Ripple-Carry Input
M	Mode Control Input
F_3, F_2, F_1, F_0	Function Outputs
A=B	Comparator Output
P	Carry Propagate Output
C_{n+4}	Ripple-Carry Output
G	Carry Generate Output

HD74LS181

■ ELECTRICAL CHARACTERISTICS ($T_a = -20 \sim +75^\circ\text{C}$)

Item	Symbol	Test Conditions	min	typ*	max	Unit	
Input voltage	V_{IH}		2.0	—	—	V	
	V_{IL}		—	—	0.8	V	
Output current Δ	I_{OH}	$V_{CC} = 4.75\text{V}$, $V_{IH} = 2\text{V}$, $V_{IL} = 0.8\text{V}$, $V_{OH} = 5.5\text{V}$	—	—	100	μA	
Output voltage $\Delta\Delta$	V_{OH}	$V_{CC} = 4.75\text{V}$, $V_{IH} = 2\text{V}$, $V_{IL} = 0.8\text{V}$, $I_{OH} = -400\mu\text{A}$	2.7	—	—	V	
Output voltage	All outputs	V_{OL}	$V_{CC} = 4.75\text{V}$, $V_{IH} = 2\text{V}$, $V_{IL} = 0.8\text{V}$	$I_{OL} = 4\text{mA}$	—	0.4	V
				$I_{OL} = 8\text{mA}$	—	0.5	
	output \bar{C}	$I_{OL} = 16\text{mA}$	—	0.7			
Input current	Mode	I_{IH}	$V_{CC} = 5.25\text{V}$, $V_I = 2.7\text{V}$	—	—	20	μA
	\bar{A} , B			—	—	60	
	S			—	—	80	
	Carry			—	—	100	
	Mode	I_{IL}	$V_{CC} = 5.25\text{V}$, $V_I = 0.4\text{V}$	—	—	-0.4	mA
	\bar{A} , B			—	—	-1.2	
	S			—	—	-1.6	
	Carry			—	—	-2	
	Mode	I_I	$V_{CC} = 5.25\text{V}$, $V_I = 5.5\text{V}$	—	—	0.1	mA
	\bar{A} , B			—	—	0.3	
	S			—	—	0.4	
	Carry			—	—	0.5	
Short-circuit output current	I_{OS}	$V_{CC} = 5.25\text{V}$	-20	—	-100	mA	
Supply current	I_{CC}^{**}	$V_{CC} = 5.25\text{V}$	Condition A	—	20	34	mA
			Condition B	—	21	37	
Input clamp voltage	V_{IK}	$V_{CC} = 4.75\text{V}$, $I_{IS} = -18\text{mA}$	—	—	-1.5	V	

* $V_{CC} = 5\text{V}$, $T_a = 25^\circ\text{C}$

Δ A=B output only.
 $\Delta\Delta$ any output except A=B.

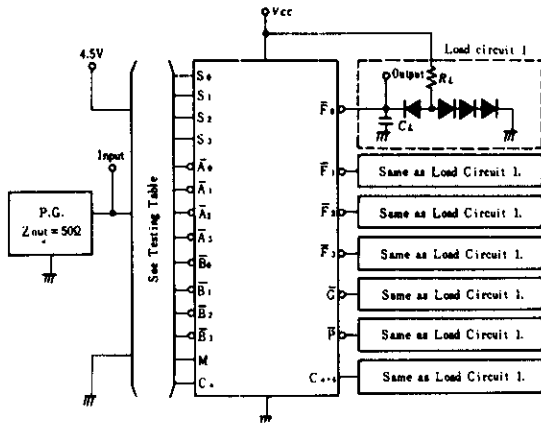
** With outputs open, I_{CC} is measured for the following conditions:

- A. S_0 through S_3 , M, and \bar{A} inputs are at 4.5V, all other inputs are grounded.
 B. S_0 through S_3 and M are at 4.5V, all other inputs are grounded.

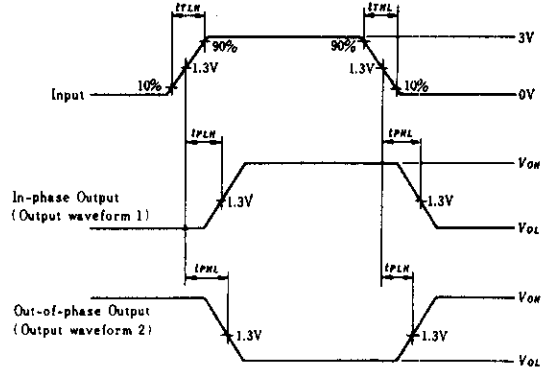
■ SWITCHING CHARACTERISTICS ($V_{CC} = 5\text{V}$, $T_a = 25^\circ\text{C}$, $C_L = 15\text{pF}$, $R_L = 2\text{k}\Omega$)

Item	Symbol	Inputs	Outputs	Test Conditions	min	typ	max	Unit	
Propagation delay time	t_{PLH}	C_n	C_{n+4}		—	18	27	ns	
	t_{PHL}				—	13	20		
	t_{PLH}	\bar{A}_i or B_i	C_{n+4}	M=0V, $S_0 = S_3 = 4.5\text{V}$ $S_1 = S_2 = 0\text{V}$ (SUM mode)	—	25	38	ns	
	t_{PHL}				—	25	38		
	t_{PLH}	\bar{A}_i or B_i	C_{n+4}	M=0V, $S_0 = S_3 = 0\text{V}$ $S_1 = S_2 = 4.5\text{V}$ (DIFF mode)	—	27	41	ns	
	t_{PHL}				—	27	41		
	t_{PLH}	C_n	A_n , F		M=0V (SUM or DIFF mode)	—	17	26	ns
	t_{PHL}					—	13	20	
	t_{PLH}	\bar{A}_i or B_i	G		M=0V, $S_0 = S_3 = 4.5\text{V}$ $S_1 = S_2 = 0\text{V}$ (SUM mode)	—	19	29	ns
	t_{PHL}					—	15	23	
	t_{PLH}	\bar{A}_i or B_i	G		M=0V, $S_0 = S_3 = 0\text{V}$ $S_1 = S_2 = 4.5\text{V}$ (DIFF mode)	—	21	32	ns
	t_{PHL}					—	21	32	
	t_{PLH}	\bar{A}_i or B_i	P		M=0V, $S_0 = S_3 = 4.5\text{V}$ $S_1 = S_2 = 0\text{V}$ (SUM mode)	—	20	30	ns
	t_{PHL}					—	20	30	
	t_{PLH}	\bar{A}_i or B_i	P		M=0V, $S_0 = S_3 = 0\text{V}$ $S_1 = S_2 = 4.5\text{V}$ (DIFF mode)	—	20	30	ns
	t_{PHL}					—	22	33	
	t_{PLH}	\bar{A}_i or B_i	Fi		M=0V, $S_0 = S_3 = 4.5\text{V}$ $S_1 = S_2 = 0\text{V}$ (SUM mode)	—	21	32	ns
	t_{PHL}					—	13	20	
	t_{PLH}	\bar{A}_i or B_i	Fi		M=0V, $S_0 = S_3 = 0\text{V}$ $S_1 = S_2 = 4.5\text{V}$ (DIFF mode)	—	21	32	ns
	t_{PHL}					—	21	32	
t_{PLH}	\bar{A}_i or B_i	Fi		M=4.5V (logic mode)	—	22	33	ns	
t_{PHL}					—	26	38		
t_{PLH}	\bar{A}_i or \bar{B}_i	A=B		M=0V, $S_0 = S_3 = 0\text{V}$ $S_1 = S_2 = 4.5\text{V}$ (DIFF mode)	—	33	50	ns	
t_{PHL}					—	41	62		

TESTING METHOD



Waveform



- Notes) 1. C_L includes probe and jig capacitance.
 2. All diodes are 1S2074 (H).

SUM Mode Test Table ($S_0 = S_3 = 4.5V, S_1 = S_2 = M = 0V$)

Item	Test inputs	Other inputs		Other data inputs		Test outputs	Output waveform
		4.5V	GND	4.5V	GND		
t_{PLH}	\bar{A}_i	B_j	—	Remaining \bar{A}, B	C_n	F_i	1
t_{PHL}	B_i	\bar{A}_j	—	Remaining \bar{A}, B	C_n	F_i	1
t_{PLH}	\bar{A}_i	B_j	—	—	Remaining \bar{A}, B, C_n	P	1
t_{PHL}	B_i	\bar{A}_j	—	—	Remaining \bar{A}, B, C_n	P	1
t_{PLH}	\bar{A}_i	—	B_j	Remaining B	Remaining \bar{A}, C_n	G	1
t_{PHL}	B_i	—	\bar{A}_j	Remaining B	Remaining \bar{A}, C_n	G	1
t_{PLH}	C_n	—	—	All \bar{A}	All B	F, C_{n+1}	1
t_{PHL}	\bar{A}_i	—	B_j	Remaining B	Remaining \bar{A}, C_n	C_{n+1}	2
t_{PLH}	B_i	—	\bar{A}_j	Remaining B	Remaining \bar{A}, C_n	C_{n+1}	2

HD74LS181

DIFF Mode Test Table ($S_1=S_2=4.5V, S_0=S_3=M=0V$)

Item	Test inputs	Other inputs		Other data inputs		Test outputs	Output waveform
		4.5V	GND	4.5V	GND		
<i>I_{PLH}</i>	\bar{A}_i	-	B_i	Remaining \bar{A}	Remaining B, C_n	F_j	1
<i>I_{PHL}</i>							
<i>I_{PLH}</i>	B_i	\bar{A}_i	-	Remaining \bar{A}	Remaining B, C_n	F_j	2
<i>I_{PHL}</i>							
<i>I_{PLH}</i>	\bar{A}_i	-	B_i	-	Remaining \bar{A}, B, C_n	P	1
<i>I_{PHL}</i>							
<i>I_{PLH}</i>	B_i	\bar{A}_i	-	-	Remaining \bar{A}, B, C_n	P	2
<i>I_{PHL}</i>							
<i>I_{PLH}</i>	\bar{A}_i	B_i	-	-	Remaining \bar{A}, B, C_n	G	1
<i>I_{PHL}</i>							
<i>I_{PLH}</i>	B_i	-	\bar{A}_i	-	Remaining \bar{A}, B, C_n	G	2
<i>I_{PHL}</i>							
<i>I_{PLH}</i>	\bar{A}_i	-	B_i	Remaining \bar{A}	Remaining B, C_n	A=B	1
<i>I_{PHL}</i>							
<i>I_{PLH}</i>	B_i	\bar{A}_i	-	Remaining \bar{A}	Remaining B, C_n	A=B	2
<i>I_{PHL}</i>							
<i>I_{PLH}</i>	C_n	-	-	All \bar{A}, B	-	C_{n-1}, F	1
<i>I_{PHL}</i>							
<i>I_{PLH}</i>	\bar{A}_i	B_i	-	-	Remaining \bar{A}, B, C_n	C_{n-1}	2
<i>I_{PHL}</i>							
<i>I_{PLH}</i>	B_i	-	\bar{A}_i	-	Remaining \bar{A}, B, C_n	C_{n-1}	1
<i>I_{PHL}</i>							

Logic Mode Test Table ($S_1=S_2=M=4.5V, S_0=S_3=0V$)

Item	Test inputs	Other inputs		Other data inputs		Test outputs	Output waveform
		4.5V	GND	4.5V	GND		
<i>I_{PLH}</i>	\bar{A}_i	B_i	-	-	Remaining \bar{A}, B, C_n	F_j	2
<i>I_{PHL}</i>							
<i>I_{PLH}</i>	B_i	\bar{A}_i	-	-	Remaining \bar{A}, B, C_n	F_j	2
<i>I_{PHL}</i>							

HD74LS190 ● Synchronous Up/Down Decade Counters (single clock line)

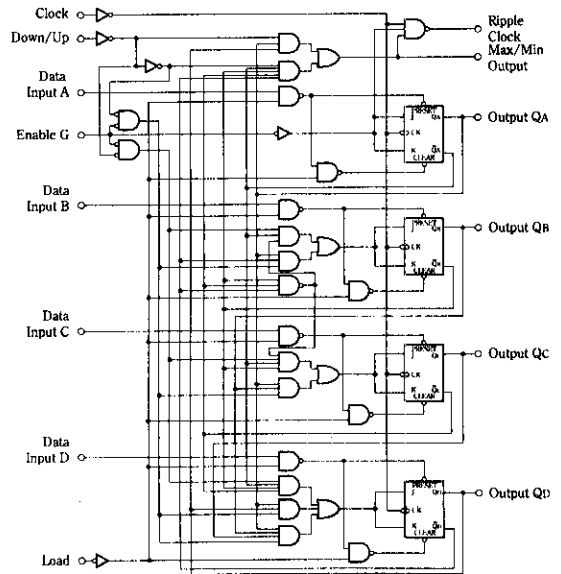
Synchronous operation is provided by having all flip-flops clocked simultaneously so that the outputs change coincident with each other when so instructed by the steering logic. This mode of operation eliminates the output counting spikes normally associated with asynchronous (ripple clock) counters.

The outputs of the four master-slave flip-flops are triggered on a low-to-high-level transition of the clock input if the enable input is low. A high at the enable input inhibits counting. Level changes at the enable input should be made only when the clock input is high. The direction of the count is determined by the level of the down/up input. When low, the counter counts up and when high, it counts down. Level changes at the down/up input should be made only when the clock input is high. This counter is fully programmable; that is, the outputs may be preset to either level by placing a low on the load input and entering the desired data at the data inputs. The output will change to agree with the data inputs independently of the level of the clock input. This feature allows the counters to be used as modulo-N dividers by simply modifying the count length with the preset inputs. The clock, down/up, and load inputs are buffered to lower the drive requirement which significantly reduces the number of clock drivers, etc., required for long parallel words.

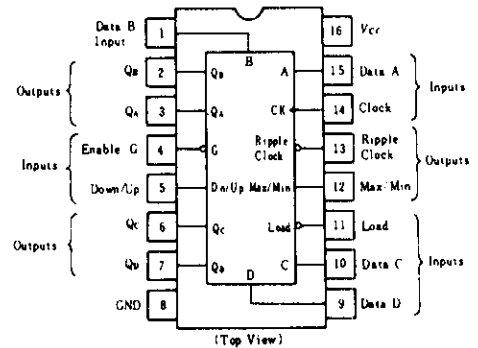
Two outputs have been made available to perform the cascading function: ripple clock and maximum/minimum count. The latter output produces a high-level output pulse with a duration approximately equal to one complete cycles to the clock when the counter overflows or underflows. The ripple clock output produces a low-level output pulse equal in width to the low-level portion of the clock input when an overflow or underflow conditions exists.

The counters can be easily cascaded by feeding the ripple clock output to the enable input of the succeeding counter if parallel clocking is used, or to the clock input if parallel enabling is used. The maximum/minimum count output can be used to accomplish look-ahead for high-speed operation.

■ BLOCK DIAGRAM



■ PIN ARRANGEMENT



■ RECOMMENDED OPERATING CONDITIONS

Item	Symbol	min	typ	max	Unit
Clock frequency	f_{clock}	0	—	20	MHz
Clock pulse width	$t_w (CK)$	25	—	—	ns
Load input pulse width	$t_w (load)$	35	—	—	ns
Setup time	t_{su}	20	—	—	ns
Hold time	t_h	3	—	—	ns
Enable time	t_{enable}	40	—	—	ns

HD74LS190

■ ELECTRICAL CHARACTERISTICS ($T_a = -20 \sim +75^\circ\text{C}$)

Item	Symbol	Test Conditions	min	typ*	max	Unit	
Input voltage	V_{IH}		2.0	—	—	V	
	V_{IL}		—	—	0.8	V	
Output voltage	V_{OH}	$V_{CC}=4.75\text{V}$, $V_{IH}=2\text{V}$, $V_{IL}=0.8\text{V}$, $I_{OH}=-400\mu\text{A}$	2.7	—	—	V	
	V_{OL}	$V_{CC}=4.75\text{V}$, $V_{IH}=2\text{V}$, $V_{IL}=0.8\text{V}$	$I_{OL}=4\text{mA}$	—	—	0.4	V
			$I_{OL}=8\text{mA}$	—	—	0.5	
Input current	Enable	I_{IH}	$V_{CC}=5.25\text{V}$, $V_I=2.7\text{V}$	—	—	60	μA
				Others	—	—	
	Enable	I_{IL}	$V_{CC}=5.25\text{V}$, $V_I=0.4\text{V}$	—	—	-1.2	mA
				Others	—	—	
	Enable	I_I	$V_{CC}=5.25\text{V}$, $V_I=7\text{V}$	—	—	0.3	mA
				Others	—	—	
Short-circuit output current	I_{OS}	$V_{CC}=5.25\text{V}$	-20	—	-100	mA	
Supply current**	I_{CC}	$V_{CC}=5.25\text{V}$	—	20	35	mA	
Input clamp voltage	V_{IK}	$V_{CC}=4.75\text{V}$, $I_{IS}=-18\text{mA}$	—	—	-1.5	V	

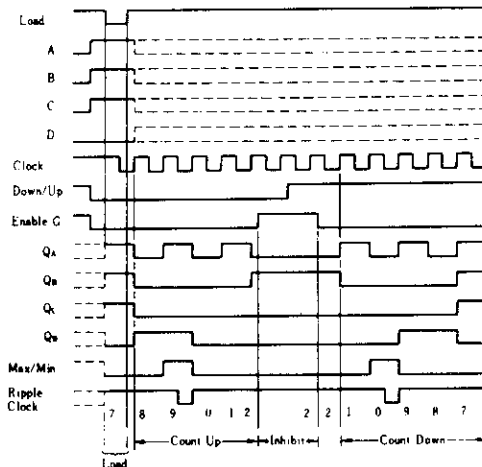
* $V_{CC}=5\text{V}$, $T_a=25^\circ\text{C}$

** I_{CC} is measured with all outputs open and all inputs grounded.

■ SWITCHING CHARACTERISTICS ($V_{CC}=5\text{V}$, $T_a=25^\circ\text{C}$)

Item	Symbol	Inputs	Outputs	Test Conditions	min	typ	max	Unit
Maximum clock frequency	f_{max}	Clock	QA, QB, QC, QD	$C_L=15\text{pF}$ $R_L=2\text{k}\Omega$	20	25	—	MHz
Propagation delay time	t_{PLH}	Load	QA, QB, QC, QD		—	22	33	ns
					t_{PHL}	—	33	
	t_{PLH}	A, B, C, D	QA, QB, QC, QD		—	20	32	ns
					t_{PHL}	—	27	
	t_{PLH}	Clock	Ripple Clock		—	13	20	ns
					t_{PHL}	—	16	
	t_{PLH}	Clock	QA, QB, QC, QD		—	16	24	ns
					t_{PHL}	—	24	
	t_{PLH}	Clock	Max/Min		—	28	42	ns
					t_{PHL}	—	37	
	t_{PLH}	Down/Up	Ripple Clock		—	30	45	ns
					t_{PHL}	—	30	
	t_{PLH}	Down/Up	Max/Min		—	21	33	ns
					t_{PHL}	—	22	
	t_{PLH}	Enable	Ripple Clock		—	21	33	ns
				t_{PHL}	—	22	33	

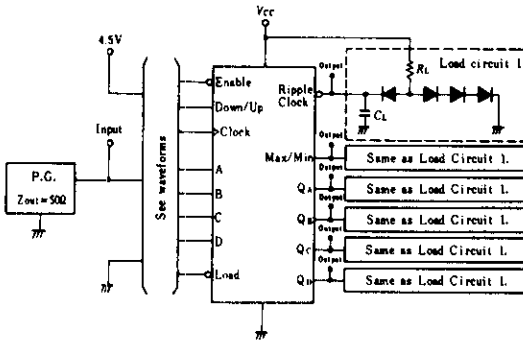
■ COUNT SEQUENCES



- Illustrated below is the following sequence:
1. Load (preset) to BCD seven.
 2. Count up to eight, nine (maximum), zero, one and two.
 3. Inhibit
 4. Count down to one, zero (minimum), nine, eight, and seven.

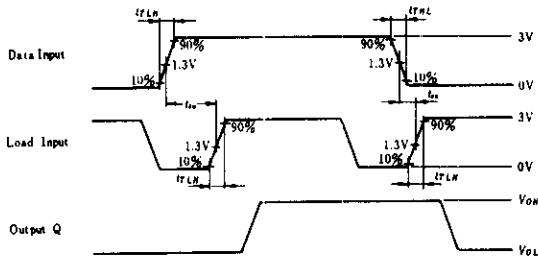
TESTING METHOD

1) Test Circuit



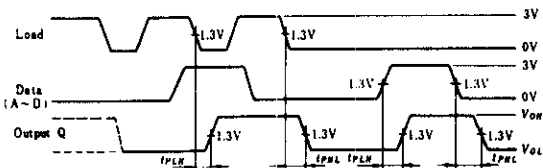
- Notes) 1. C_L includes probe and jig capacitance.
2. All diodes are 1S2074 (H).

Waveform



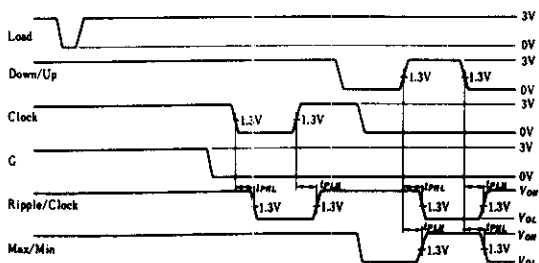
Input pulse: $t_{TLH}, t_{THL} \leq 10\text{ns}$, $PRR = 1\text{MHz}$, Duty cycle $\leq 50\%$

Waveform 1. Load \rightarrow Q, Data \rightarrow Q



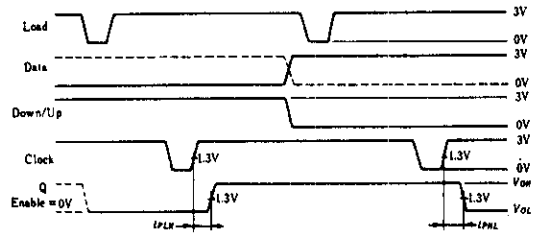
Note) Conditions on other inputs are irrelevant

Waveform 2. G \rightarrow Ripple CK, CK \rightarrow Ripple CK, Down/UP \rightarrow Ripple CK, Down/UP \rightarrow Max/Min



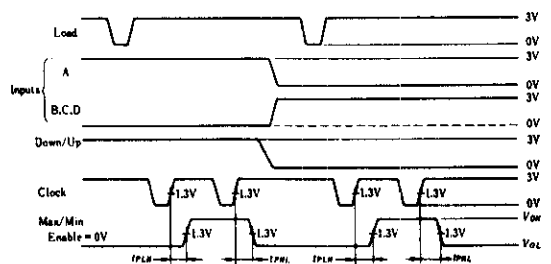
Note) All data inputs are low

Waveform 3. Clock \rightarrow Q



- Notes) 1. When test the $Q_A, Q_B,$ and Q_C outputs, data inputs A, B and C are shown by the solid line, and data input D is shown by the dashed line.
2. When test the Q_D output, data inputs A and D are shown by the solid line, and data inputs B and C are held at the low logic level.

Waveform 4. Clock \rightarrow Max/Min



Note) Data inputs B and C are shown by the dashed line. Data input D is shown by the solid line.

HD74LS191

● Synchronous Up/Down 4-bit Binary Counters (single clock line)

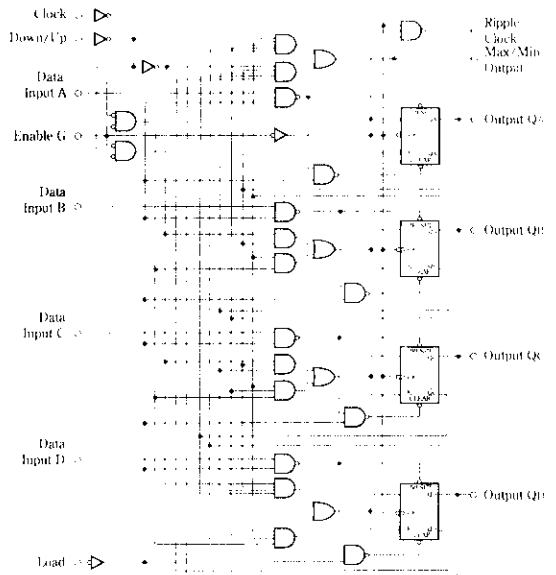
Synchronous operation is provided by having all flip-flops clocked simultaneously so that the outputs change coincident with each other when so instructed by the steering logic. This mode of operation eliminates the output counting spikes normally associated with asynchronous (ripple clock) counters.

The outputs of the four master-slave flip-flops are triggered on a low-to-high-level transition of the clock input if the enable input is low. A high at the enable input inhibits counting. Level changes at the enable input should be made only when the clock input is high. The direction of the count is determined by the level of the down/up input. When low, the counter counts up and when high, it counts down. Level changes at the down/up input should be made only when the clock input is high. This counter is fully programmable; that is, the outputs may be preset to either level by placing a low on the load input and entering the desired data at the data inputs. The output will change to agree with the data inputs independently of the level of the clock input. This feature allows the counters to be used as modulo-N dividers by simply modifying the count length with the preset inputs. The clock, down/up, and load inputs are buffered to lower the drive requirement which significantly reduces the number of clock drivers, etc., required for long parallel words.

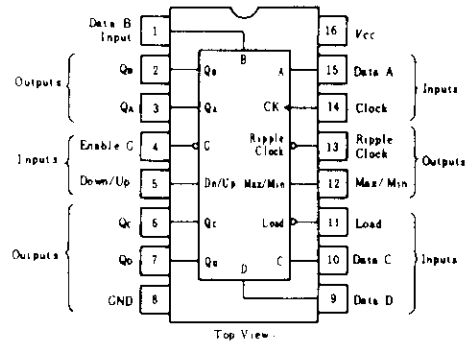
Two outputs have been made available to perform the cascading function; ripple clock and maximum/minimum count. The latter output produces a high-level output pulse with a duration approximately equal to one complete cycles to the clock when the counter overflows or underflows. The ripple clock output produces a low-level output pulse equal in width to the low-level portion of the clock input when an overflow or underflow condition exists.

The counters can be easily cascaded by feeding the ripple clock output to the enable input of the succeeding counter if parallel clocking is used, or to the clock input if parallel enabling is used. The maximum/minimum count output can be used to accomplish look-ahead for high-speed operation.

■ BLOCK DIAGRAM



■ PIN ARRANGEMENT



■ RECOMMENDED OPERATING CONDITIONS

Item	Symbol	min	typ	max	Unit
Clock frequency	f_{clock}	0	—	20	MHz
Clock pulse width	$t_w (CK)$	25	—	—	ns
Load input pulse width	$t_w (load)$	35	—	—	ns
Setup time	t_{su}	20	—	—	ns
Hold time	t_h	3	—	—	ns
Enable time	t_{enable}	40	—	—	ns

■ ELECTRICAL CHARACTERISTICS ($T_a = -20 \sim +75^\circ\text{C}$)

Item	Symbol	Test Conditions	min	typ*	max	Unit	
Input voltage	V_{IH}		2.0	—	—	V	
	V_{IL}		—	—	0.8	V	
Output voltage	V_{OH}	$V_{CC} = 4.75\text{V}, V_{IH} = 2\text{V}, V_{IL} = 0.8\text{V}, I_{OH} = -400\mu\text{A}$	2.7	—	—	V	
	V_{OL}	$V_{CC} = 4.75\text{V}, V_{IH} = 2\text{V}, V_{IL} = 0.8\text{V}$ $I_{OL} = 4\text{mA}$ $I_{OL} = 8\text{mA}$	—	—	0.4 0.5	V	
Input current	Enable	I_{IH}	$V_{CC} = 5.25\text{V}, V_i = 2.7\text{V}$	—	—	60	μA
	Others			—	—	20	
	Enable	I_{IL}	$V_{CC} = 5.25\text{V}, V_i = 0.4\text{V}$	—	—	-1.2	mA
	Others			—	—	-0.4	
Input current	Enable	I_i	$V_{CC} = 5.25\text{V}, V_i = 7\text{V}$	—	—	0.3	mA
	Others			—	—	0.1	
Short-circuit output current	I_{OS}	$V_{CC} = 5.25\text{V}$	-20	—	-100	mA	
Supply current**	I_{CC}	$V_{CC} = 5.25\text{V}$	—	20	35	mA	
Input clamp voltage	V_{IK}	$V_{CC} = 4.75\text{V}, I_{IN} = -18\text{mA}$	—	—	-1.5	V	

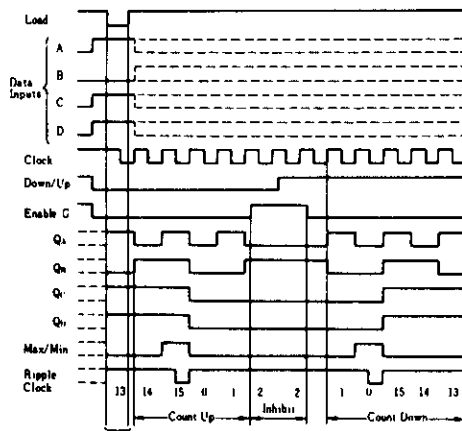
* $V_{CC} = 5\text{V}, T_a = 25^\circ\text{C}$

** I_{CC} is measured with all outputs open and all inputs grounded.

■ SWITCHING CHARACTERISTICS ($V_{CC} = 5\text{V}, T_a = 25^\circ\text{C}$)

Item	Symbol	Inputs	Outputs	Test Conditions	min	typ	max	Unit		
Maximum clock frequency	f_{max}				20	25	—	MHz		
Propagation delay time	t_{PLH}	Load	Q _A , Q _B , Q _C , Q _D	$C_L = 15\text{pF}$ $R_L = 2\text{k}\Omega$	—	22	33	ns		
	t_{PHL}				—	33	50			
	t_{PLH}	Data A, B, C, D	Q _A , Q _B , Q _C , Q _D		—	20	32	ns		
	t_{PHL}				—	27	40			
	t_{PLH}	Clock	Ripple Clock		—	13	20	ns		
	t_{PHL}				—	16	24			
	Propagation delay time	t_{PLH}	Clock		Q _A , Q _B , Q _C , Q _D	—	16	24	ns	
		t_{PHL}				—	24	36		
		t_{PLH}	Clock		Max/Min	—	28	42	ns	
		t_{PHL}				—	37	52		
		Propagation delay time	t_{PLH}		Down/Up	Ripple Clock	—	30	45	ns
			t_{PHL}				—	30	45	
	t_{PLH}		Down/Up		Max/Min	—	21	33	ns	
	t_{PHL}					—	22	33		
Propagation delay time	t_{PLH}	Enable	Ripple Clock	—	21	33	ns			
	t_{PHL}			—	22	33				

■ COUNT SEQUENCES

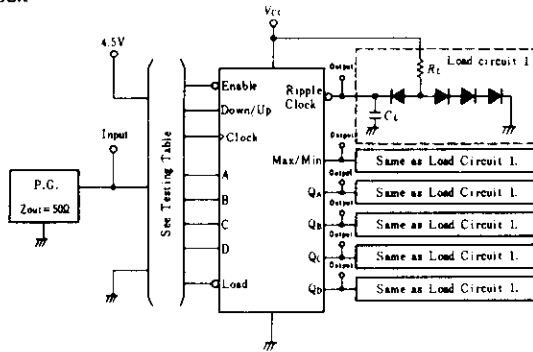


- Illustrated below is the following sequence;
1. Load (preset) to binary thirteen.
 2. Count up to fourteen, fifteen (maximum), zero, one, and two.
 3. Inhibit
 4. Count down to one, zero (minimum), fifteen, fourteen, and thirteen.

HD74LS191

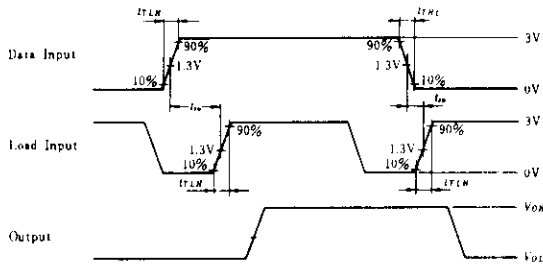
TESTING METHOD

1) Test Circuit



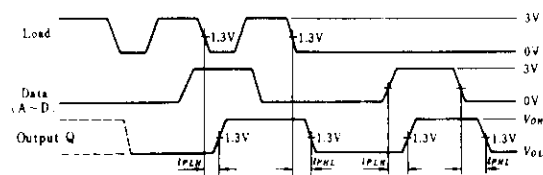
- Notes) 1. C_L includes probe and jig capacitance.
2. All diodes are 1S2074 (H).

Waveform



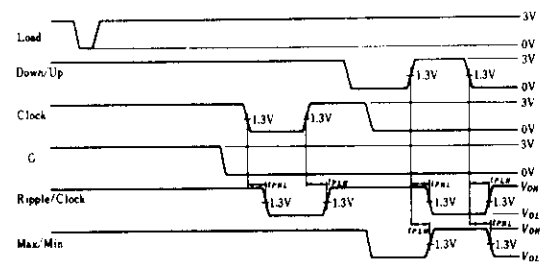
Input pulse: $t_{TLH}, t_{THL} \leq 10\text{ns}$, $PRR = 1\text{MHz}$, Duty cycle $\leq 50\%$

Waveform 1. Load \rightarrow Q, Data \rightarrow Q

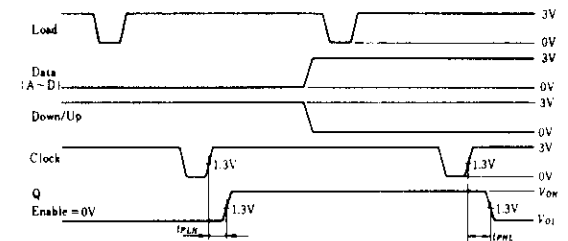


Note) Conditions on other inputs are irrelevant.

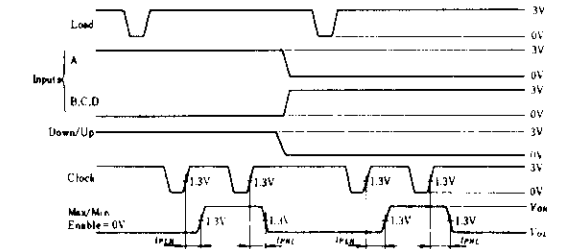
Waveform 2. G \rightarrow Ripple CK, CK \rightarrow Ripple CK, Down/Up \rightarrow Ripple CK, Down/Up \rightarrow Max/Min



Waveform 3. Clock \rightarrow Q



Waveform 4. Clock \rightarrow Max/Min



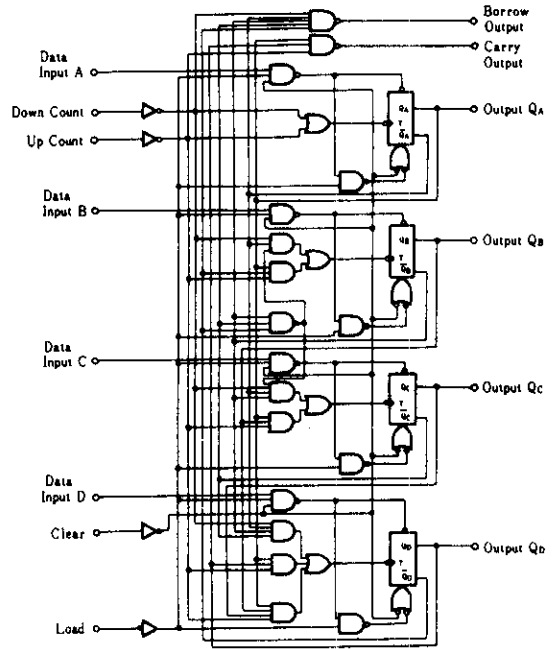
HD74LS192 • Synchronous Up/Down Decade Counters (dual clock lines)

Synchronous operation is provided by having all flip-flops clocked simultaneously so that the outputs change coincidentally with each other when so instructed by the steering logic. This mode of operation eliminates the output counting spikes which are normally associated with asynchronous (ripple-clock) counters. The outputs of the four master-slave flip-flops are triggered by a low-to-high-level transition of either count (clock) input. The direction of counting is determined by which count input is pulsed while the other count input is high. This counter is fully programmable; that is, each output may be preset to either level by entering the desired data at the data inputs while the load input is low. The output will change to agree with the data inputs independently of the count pulses. This feature allows the counters to be used as modulo-N dividers by simply modifying the count length with the preset inputs. A clear input has been provided which forces all outputs to the low level when a high level is applied. The clear function is independent of the count and load inputs. The clear, count, and load inputs are buffered to lower the drive requirements. This reduces the number of clock drivers, etc., required for long words. This counter was designed to be cascaded without the need for external circuitry. Both borrow and carry outputs are available to cascade both the up-and down-counting functions.

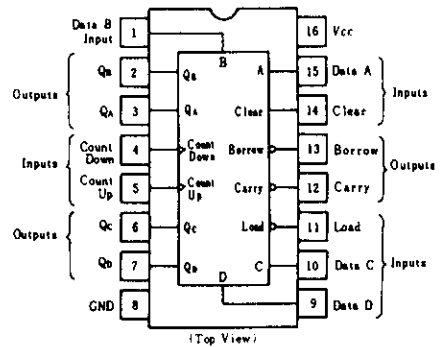
The borrow output produces a pulse equal in width to the count-down input when the counter underflows. Similarly, the carry output produces a pulse equal in width to the count-up input when an overflow condition exists.

The counters can then be easily cascaded by feeding the borrow and carry outputs to the count-down and count-up inputs respectively of the succeeding counter.

■ BLOCK DIAGRAM



■ PIN ARRANGEMENT



■ RECOMMENDED OPERATING CONDITIONS

Item	Symbol	min	typ	max	Unit
Clock frequency	f_{clock}	0	—	25	MHz
Pulse width	t_c	20	—	—	ns
Setup time (Clear)	$t_{su(CLR)}$	40	—	—	ns
Setup time	t_{su}	20	—	—	ns
Hold time	t_h	3	—	—	ns

HD74LS192

■ ELECTRICAL CHARACTERISTICS ($T_a = -20 \sim +75^\circ\text{C}$)

Item	Symbol	Test Conditions	min	typ*	max	Unit	
Input voltage	V_{IH}		2.0	—	—	V	
	V_{IL}		—	—	0.8	V	
Output voltage	V_{OH}	$V_{CC} = 4.75\text{V}, V_{IH} = 2\text{V}, V_{IL} = 0.8\text{V}, I_{OH} = -400\mu\text{A}$	2.7	—	—	V	
	V_{OL}	$V_{CC} = 4.75\text{V}, V_{IH} = 2\text{V}, V_{IL} = 0.8\text{V}$	$I_{OL} = 4\text{mA}$	—	—	0.4	V
			$I_{OL} = 8\text{mA}$	—	—	0.5	
Input current	I_{IH}	$V_{CC} = 5.25\text{V}, V_i = 2.7\text{V}$	—	—	20	μA	
	I_{IL}	$V_{CC} = 5.25\text{V}, V_i = 0.4\text{V}$	—	—	-0.4	mA	
	I_i	$V_{CC} = 5.25\text{V}, V_i = 7\text{V}$	—	—	0.1	mA	
Short-circuit output current	I_{OS}	$V_{CC} = 5.25\text{V}$	-20	—	-100	mA	
Supply current**	I_{CC}	$V_{CC} = 5.25\text{V}$	—	19	34	mA	
Input clamp voltage	V_{IK}	$V_{CC} = 4.75\text{V}, I_{IS} = -18\text{mA}$	—	—	-1.5	V	

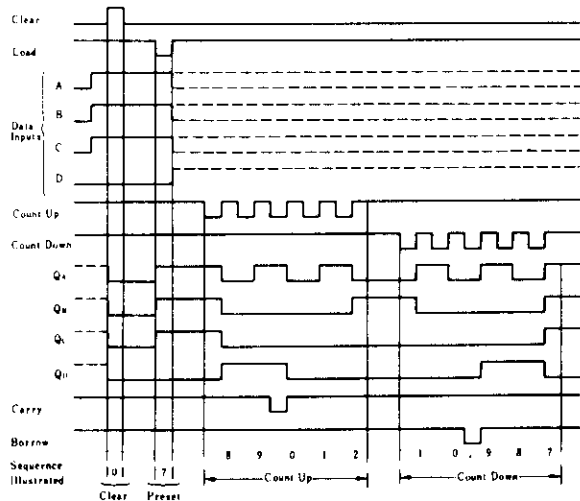
* $V_{CC} = 5\text{V}, T_a = 25^\circ\text{C}$

** I_{CC} is measured with all outputs open, clear and load inputs grounded, and all other inputs at 4.5V.

■ SWITCHING CHARACTERISTICS ($V_{CC} = 5\text{V}, T_a = 25^\circ\text{C}$)

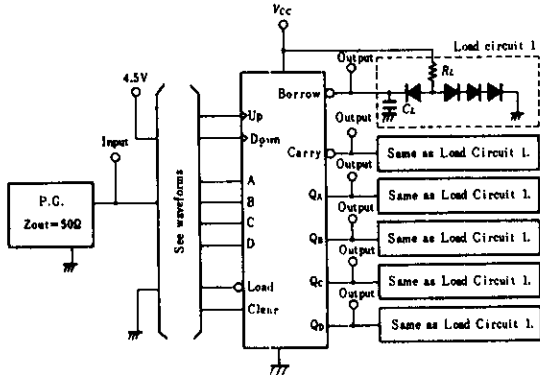
Item	Symbol	Inputs	Outputs	Test Conditions	min	typ	max	Unit
Maximum clock frequency	f_{max}				25	32	—	MHz
Propagation delay time	t_{PLH}	Count-up	Carry	$C_L = 15\text{pF}$ $R_L = 2\text{k}\Omega$	—	17	26	ns
	t_{PHL}				—	18	24	
	t_{PLH}	Count-down	Borrow		—	16	24	ns
	t_{PHL}				—	15	24	
	t_{PLH}	Either Count	Q		—	27	38	ns
	t_{PHL}				—	30	47	
	t_{PLH}	Load	Q		—	24	40	ns
	t_{PHL}				—	25	40	
	t_{PHL}	Clear	Q		—	23	35	ns

■ COUNT SEQUENCE



TESTING METHOD

1) Test Circuit



Notes) 1. C_L includes probe and jig capacitance.

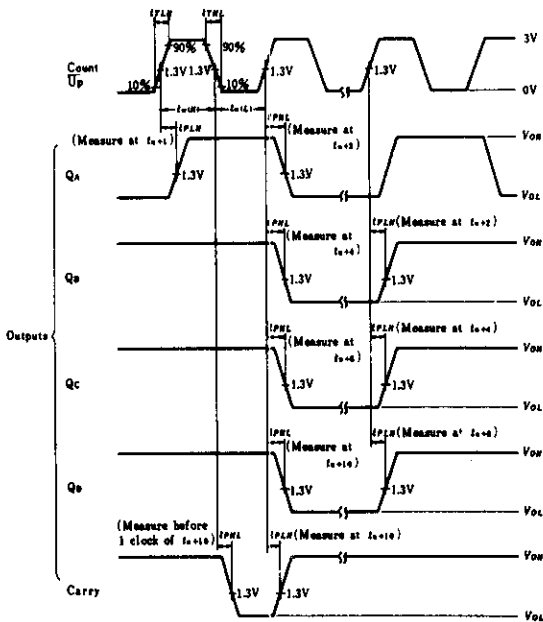
2. All diodes are 1S2074 (Ⓢ).

Input pulse: $t_{TLH}, t_{THL} \leq 7ns$, $PRR=500kHz$ (Data input).

$PRR=1MHz$ (except data input)

Duty Cycle=50%

Waveform-1 $f_{max}, t_{PLH}, t_{PHL}$ (Count Up)

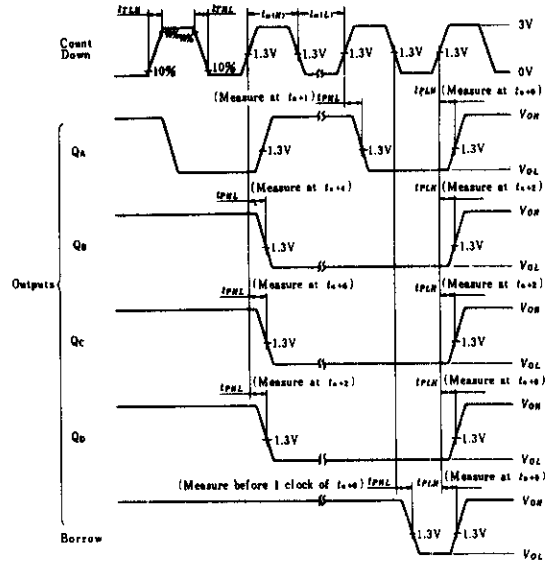


Notes) 1. Input pulse: $t_{TLH} \leq 7ns$, $t_{THL} \leq 7ns$, $PRR=1MHz$, duty cycle 50%

2. for f_{max} , t_{TLH} , $t_{THL} \leq 2.5ns$

3. t_n is reference bit time when all outputs are low.

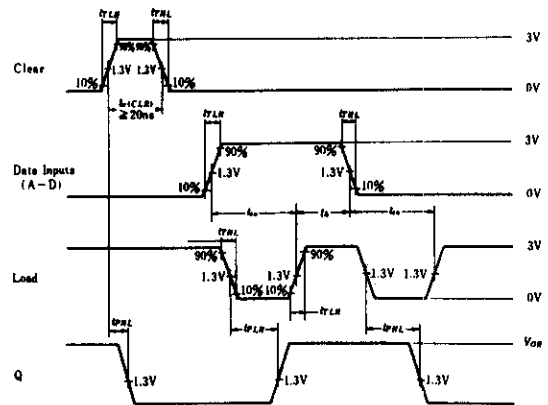
Waveform-2 $f_{max}, t_{PLH}, t_{PHL}$ (Count Down)



Notes) 1. for f_{max} , $t_{TLH} \leq t_{THL} \leq 2.5ns$.

2. t_n is reference bit time when all outputs are high.

Waveform-3 t_{PLH}, t_{PHL} (Load, Clear \rightarrow Q)



Note) Input pulse: $t_{TLH} \leq 7ns$, $t_{THL} \leq 7ns$

2) Testing Table

Item	From input to output	Inputs								Outputs					
		CLR	Load	Up	Down	A	B	C	D	QA	QB	QC	QD	Carry	Borrow
f_{max}		GND	4.5V	IN	4.5V	GND	GND	GND	GND	OUT	OUT	OUT	OUT	OUT	-
		GND	4.5V	4.5V	IN	GND	GND	GND	GND	OUT	OUT	OUT	OUT	-	OUT
t_{PLH}	Up Count	GND	4.5V	IN	4.5V	GND	GND	GND	GND	OUT	OUT	OUT	OUT	OUT	-
	Down Count	GND	4.5V	4.5V	IN	GND	GND	GND	GND	OUT	OUT	OUT	OUT	-	OUT
t_{PHL}	Load \rightarrow Q	GND	IN	GND	GND	IN	IN	IN	IN	OUT	OUT	OUT	OUT	-	-
	Clear \rightarrow Q	IN	IN*	GND	GND	4.5V	4.5V	4.5V	4.5V	OUT	OUT	OUT	OUT	-	-

* for initialized

HD74LS193 • Synchronous Up/Down 4-bit Binary Counters (dual clock lines)

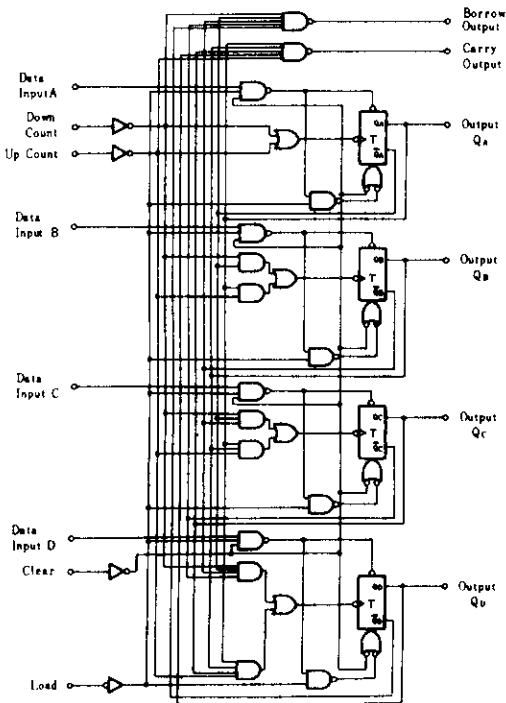
Synchronous operation is provided by having all flip-flops clocked simultaneously so that the outputs change coincidentally with each other when so instructed by the steering logic. This mode of operation eliminates the output counting spikes which are normally associated with asynchronous (ripple-clock) counters. The outputs of the four master-slave flip-flops are triggered by a low-to-high-level transition of either count (clock) input. The direction of counting is determined by which count input is pulsed while the other count input is high. This counter is fully programmable; That is, each output may be preset to either level by entering the desired data at the data inputs while the load input is low. The output will change to agree with the data inputs independently of the count pulses. This feature allows the counters to be used as modulo-N dividers by simply modifying the count length with the preset inputs. A clear input has been

provided which forces all outputs to the low level when a high level is applied. The clear function is independent of the count and load inputs. The clear, count, and load inputs are buffered to lower the drive requirements. This reduces the number of clock drivers, etc., required for long words. This counter was designed to be cascaded without the need for external circuitry. Both borrow and carry outputs are available to cascade both the up-and down-counting functions.

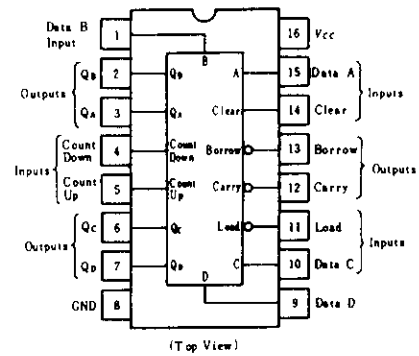
The borrow output produces a pulse equal in width to the count-down input when the counter underflows. Similarly, the carry output produces a pulse equal in width to the count-up input when an overflow condition exists.

The counters can then be easily cascaded by feeding the borrow and carry outputs to the count-down and count-up inputs respectively of the succeeding counter.

■ BLOCK DIAGRAM



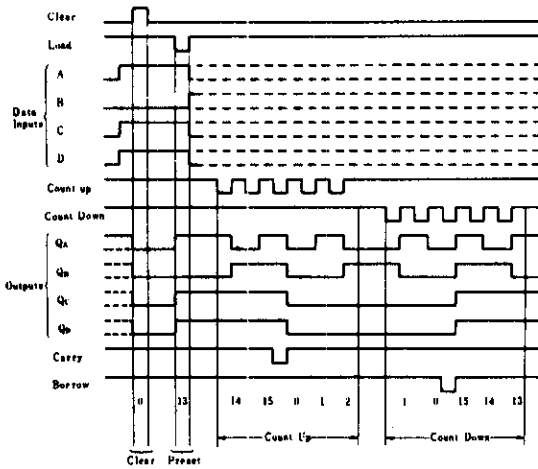
■ PIN ARRANGEMENT



■ RECOMMENDED OPERATING CONDITIONS

Item	Symbol	min	typ	max	Unit
Clock frequency	f_{clock}	0	—	25	MHz
Pulse width	t_w	20	—	—	ns
Setup time (Clear)	$t_{su(clear)}$	40	—	—	ns
Setup time	t_{su}	20	—	—	ns
Hold time	t_h	3	—	—	ns

■ COUNT SEQUENCES



Illustrated below is the following sequence:

1. Clear outputs to zero.
2. Load (preset) to binary thirteen.
3. Count up to fourteen, fifteen, carry, zero, one, and two.
4. Count down to one, zero, borrow, fifteen, fourteen, and thirteen.

■ ELECTRICAL CHARACTERISTICS ($T_a = -20 \sim +75^\circ\text{C}$)

Item	Symbol	Test Conditions	min	typ*	max	Unit	
Input voltage	V_{IH}		2.0	—	—	V	
	V_{IL}		—	—	0.8	V	
Output voltage	V_{OH}	$V_{CC} = 4.75\text{V}, V_{IH} = 2\text{V}, V_{IL} = 0.8\text{V}, I_{OH} = -400\mu\text{A}$	2.7	—	—	V	
	V_{OL}	$V_{CC} = 4.75\text{V}, V_{IH} = 2\text{V}, V_{IL} = 0.8\text{V}$	$I_{OL} = 4\text{mA}$	—	—	0.4	V
			$I_{OL} = 8\text{mA}$	—	—	0.5	
Input current	I_{IH}	$V_{CC} = 5.25\text{V}, V_I = 2.7\text{V}$	—	—	20	μA	
	I_{IL}	$V_{CC} = 5.25\text{V}, V_I = 0.4\text{V}$	—	—	-0.4	mA	
	I_I	$V_{CC} = 5.25\text{V}, V_I = 7\text{V}$	—	—	0.1	mA	
Short-circuit output current	I_{OS}	$V_{CC} = 5.25\text{V}$	-20	—	-100	mA	
Supply current**	I_{CC}	$V_{CC} = 5.25\text{V}$	—	19	34	mA	
Input clamp voltage	V_{IK}	$V_{CC} = 4.75\text{V}, I_{IN} = -18\text{mA}$	—	—	-1.5	V	

* $V_{CC} = 5\text{V}, T_a = 25^\circ\text{C}$

** I_{CC} is measured with all outputs open, clear and load inputs grounded, and all other inputs at 4.5V.

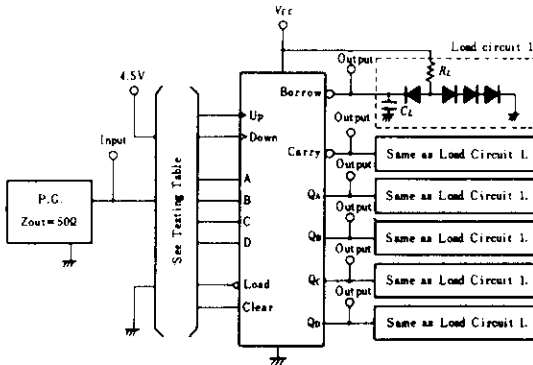
■ SWITCHING CHARACTERISTICS ($V_{CC} = 5\text{V}, T_a = 25^\circ\text{C}$)

Item	Symbol	Inputs	Outputs	Test Conditions	min	typ	max	Unit
Maximum clock frequency	f_{max}				25	32	—	MHz
Propagation delay time	t_{PLH}	Count-up	Carry	$C_L = 15\text{pF}$ $R_L = 2\text{k}\Omega$	—	17	26	ns
	t_{PHL}				—	18	24	ns
	t_{PLH}	Count-down	Borrow		—	16	24	ns
	t_{PHL}				—	15	24	ns
	t_{PLH}	Either Count	Q		—	27	38	ns
	t_{PHL}				—	30	47	ns
	t_{PLH}	Load	Q		—	24	40	ns
	t_{PHL}				—	25	40	ns
t_{PHL}	Clear	Q	—	23	35	ns		

HD74LS193

TESTING METHOD

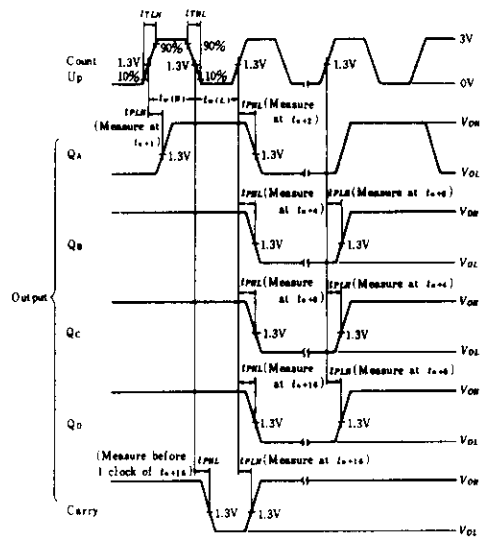
1) Test Circuit



- Notes) 1. C_L includes probe and jig capacitance.
2. All diodes are 1S2074 (H)

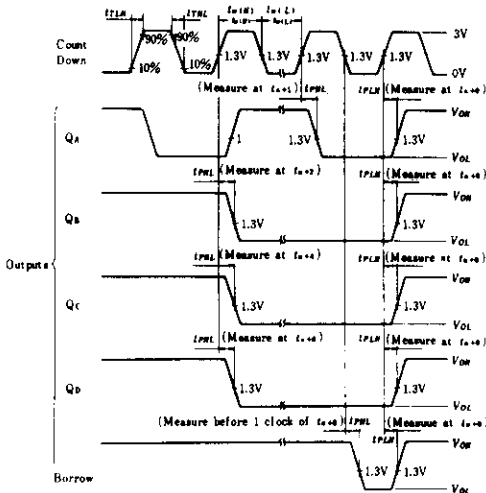
Input pulse: $t_{TLH}, t_{THL} \leq 7ns$
Duty Cycle $\leq 50\%$, $PRR=500kHz$ (Data input)
 $PRR=1MHz$ (except data input)

Waveform-1 $f_{max}, t_{PLH}, t_{PHL}$ (Count Up)

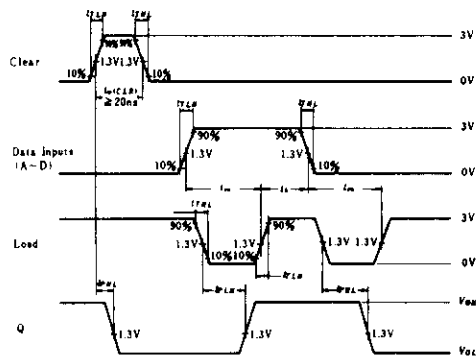


- Notes) 1. for $f_{max}, t_{TLH}, t_{THL} \leq 2.5ns$.
2. t_n is reference bit time when all outputs are low.

Waveform-2 $f_{max}, t_{PLH}, t_{PHL}$ (Count Down)



Waveform-3 t_{PLH}, t_{PHL} (Load, Clear → Q)



Note) Input pulse: $t_{TLH} \leq 7ns, t_{THL} \leq 7ns$

- Notes) 1. Input pulse: $t_{TLH} \leq 7ns, t_{THL} \leq 7ns, PRR=1MHz$, duty cycle 50%
2. for $f_{max}, t_{TLH}, t_{THL} \leq 2.5ns$
3. t_n is reference bit time when all outputs are high.

2) Testing Table

Item	From input to output	Inputs								Outputs					
		CLR	Load	Up	Down	A	B	C	D	QA	QB	QC	QD	Carry	Borrow
f_{max}	Up Count	GND	4.5V	IN	4.5V	GND	GND	GND	GND	OUT	OUT	OUT	OUT	OUT	-
	Down Count	GND	4.5V	4.5V	IN	GND	GND	GND	GND	OUT	OUT	OUT	OUT	-	OUT
t_{PLH}	Up Count	GND	4.5V	IN	4.5V	GND	GND	GND	GND	OUT	OUT	OUT	OUT	-	OUT
	Down Count	GND	4.5V	4.5V	IN	GND	GND	GND	GND	OUT	OUT	OUT	OUT	-	OUT
t_{PHL}	Load → Q	GND	IN	GND	GND	IN	IN	IN	IN	OUT	OUT	OUT	OUT	-	-
	Clear → Q	IN	IN*	GND	GND	4.5V	4.5V	4.5V	4.5V	OUT	OUT	OUT	OUT	-	-

* for initialized

HD74LS194A • 4-bit Bidirectional Universal Shift Registers

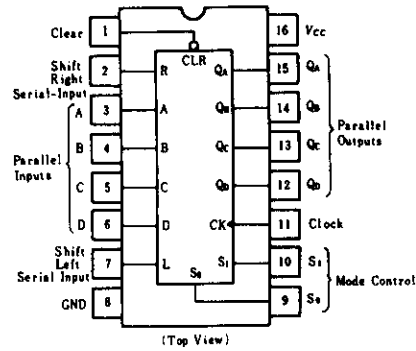
This bidirectional shift register is designed to incorporate virtually all of the features a system designer may want in a shift register. The circuit contains 46 equivalent gates and features parallel inputs, parallel outputs, right-shift and left-shift serial inputs. Operating-mode-control inputs, and a direct overriding clear line. The register has four distinct modes of operation, namely:

- Parallel (broadside) load
- Shift right (in the direction Q_A toward Q_D)
- Shift left (in direction Q_D toward Q_A)
- Inhibit clock (do nothing)

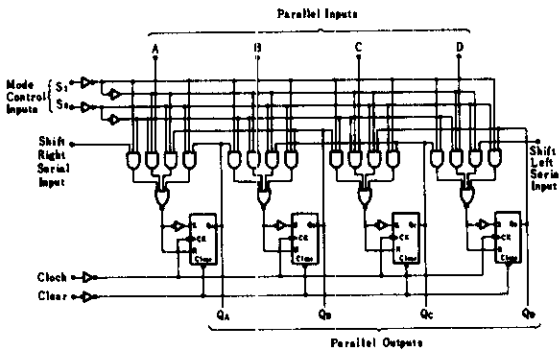
Synchronous parallel loading is accomplished by applying the four bits of data and taking both mode control inputs, S_0 and S_1 , high. The data are loaded into the associated flip-flops and appear at the outputs after the positive transition of the clock input. During loading, serial data flow is inhibited. Shift right is accomplished synchronously with the rising edge of the clock pulse when S_0 is high and S_1 is low. Serial data

for this mode is entered at the shift-right data input. When S_0 is low and S_1 is high, data shifts left synchronously and new data is entered at the shift-left serial input. Clocking of the flip-flop is inhibited when both mode control inputs are low.

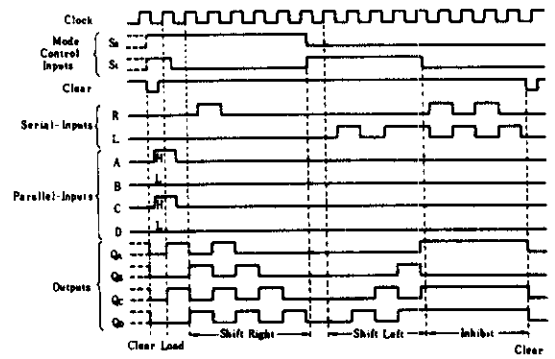
PIN ARRANGEMENT



BLOCK DIAGRAM



COUNT SEQUENCE



FUNCTION TABLE

CLEAR	MODE		CLOCK	Inputs				Outputs					
	S_1	S_0		SERIAL		PARALLEL				Q_A	Q_B	Q_C	Q_D
				LEFT	RIGHT	A	B	C	D				
L	X	X	X	X	X	X	X	X	X	L	L	L	L
H	X	X	L	X	X	X	X	X	X	Q_{A0}	Q_{B0}	Q_{C0}	Q_{D0}
H	H	H	↑	X	X	a	b	c	d	a	b	c	d
H	L	H	↑	X	H	X	X	X	X	H	Q_{An}	Q_{Bn}	Q_{Cn}
H	L	H	↑	X	L	X	X	X	X	L	Q_{An}	Q_{Bn}	Q_{Cn}
H	H	L	↑	H	X	X	X	X	X	Q_{Bn}	Q_{Cn}	Q_{Dn}	H
H	H	L	↑	L	X	X	X	X	X	Q_{Bn}	Q_{Cn}	Q_{Dn}	L
H	L	L	X	X	X	X	X	X	X	Q_{A0}	Q_{B0}	Q_{C0}	Q_{D0}

- Notes) 1. H; high level, L; low level, X; irrelevant
 2. ↑; transition from low to high level
 3. ↓; transition from high to low level
 4. a~d; the level of steady-state input at inputs A, B, C, or D, respectively
 5. Q_{A0} ~ Q_{D0} ; the level of Q_A , Q_B , Q_C , or Q_D , respectively, before the indicated steady-state input condi-

- tions were established.
 6. Q_{An} ~ Q_{Dn} ; the level of Q_A , Q_B , Q_C , or Q_D , respectively, before the most-recent ↑ transition of the clock.

HD74LS194A

RECOMMENDED OPERATING CONDITIONS

Item		Symbol	min	typ	max	Unit
Clock frequency		f_{clock}	0	—	25	MHz
Clock pulse width		$t_w(CK)$	20	—	—	ns
Clear pulse width		$t_w(CLR)$	20	—	—	ns
Setup time	Mode Control	t_{su}	30	—	—	ns
	A, B, C, D, R, L		20	—	—	ns
	CLR (inactive state)		25	—	—	ns
Hold time		t_h	0	—	—	ns

ELECTRICAL CHARACTERISTICS ($T_a = -20 \sim +75^\circ\text{C}$)

Item	Symbol	Test Conditions	min	typ*	max	Unit	
Input voltage	V_{IH}		2.0	—	—	V	
	V_{IL}		—	—	0.8	V	
Output voltage	V_{OH}	$V_{CC}=4.75\text{V}$, $V_{IH}=2\text{V}$, $V_{IL}=0.8\text{V}$, $I_{OH}=-400\mu\text{A}$	2.7	—	—	V	
	V_{OL}	$V_{CC}=4.75\text{V}$, $V_{IH}=2\text{V}$, $V_{IL}=0.8\text{V}$	$I_{OL}=4\text{mA}$	—	—	0.4	V
			$I_{OL}=8\text{mA}$	—	—	0.5	
Input current	I_{IH}	$V_{CC}=5.25\text{V}$, $V_I=2.7\text{V}$	—	—	20	μA	
	I_{IL}	$V_{CC}=5.25\text{V}$, $V_I=0.4\text{V}$	—	—	-0.4	mA	
	I_I	$V_{CC}=5.25\text{V}$, $V_I=7\text{V}$	—	—	0.1	mA	
Short-circuit output current	I_{OS}	$V_{CC}=5.25\text{V}$	-20	—	-100	mA	
Supply current**	I_{CC}	$V_{CC}=5.25\text{V}$	—	15	23	mA	
Input clamp voltage	V_{IK}	$V_{CC}=4.75\text{V}$, $I_{IN}=-18\text{mA}$	—	—	-1.5	V	

* $V_{CC}=5\text{V}$, $T_a=25^\circ\text{C}$

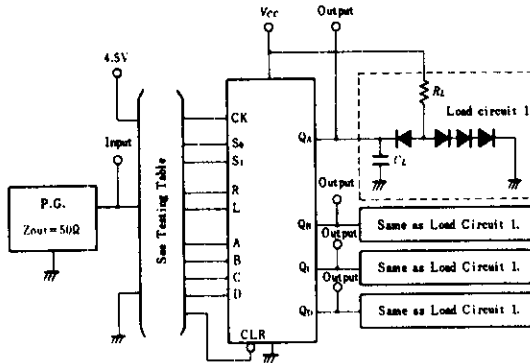
** With all outputs open, inputs A through D grounded, and 4.5V applied to S_0 , S_1 , clear, and the serial inputs, I_{CC} is tested with a momentary GND, then 4.5V, applied to clock.

SWITCHING CHARACTERISTICS ($V_{CC}=5\text{V}$, $T_a=25^\circ\text{C}$)

Item	Symbol	Inputs	Outputs	Test Conditions	min	typ	max	Unit
Maximum clock frequency	f_{max}				25	36	—	MHz
Propagation delay time	t_{PHL}	Clear	Q	$C_L=15\text{pF}$ $R_L=2\text{k}\Omega$	—	19	30	ns
	t_{PLH}	Clock			—	14	22	ns
	t_{PHL}	Clock			—	17	26	ns

TESTING METHOD

1) Test Circuit

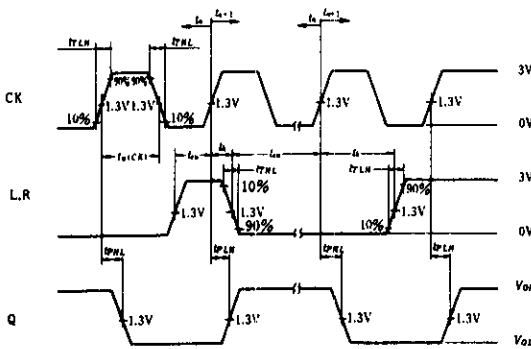


- Notes) 1. C_L includes probe and jig capacitance.
2. All diodes are 1S2074 (H).

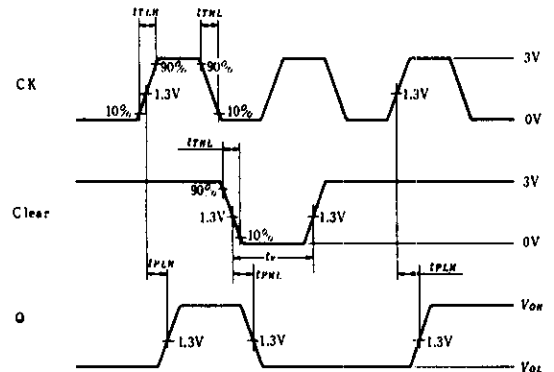
2) Testing Table

Item	From input to output	Inputs										Outputs			
		CLR	S ₁	S ₀	CK	L	R	A	B	C	D	Q _A	Q _B	Q _C	Q _D
f_{max}	right-shift	4.5V	4.5V	GND	IN	4.5V	IN	GND	GND	GND	GND	OUT	OUT	OUT	OUT
	left-shift	4.5V	GND	4.5V	IN	IN	4.5V	GND	GND	GND	GND	OUT	OUT	OUT	OUT
t_{PHL}	Clear→Q	IN	4.5V	4.5V	IN	GND	GND	4.5V	4.5V	4.5V	4.5V	OUT	OUT	OUT	OUT
t_{PLH}		4.5V	4.5V	GND	IN	4.5V	IN	GND	GND	GND	GND	OUT	OUT	OUT	OUT
	Clock→Q	4.5V	4.5V	GND	IN	IN	4.5V	GND	GND	GND	GND	OUT	OUT	OUT	OUT
		4.5V	4.5V	GND	IN	IN	4.5V	GND	GND	GND	GND	OUT	OUT	OUT	OUT

Waveform-1 (f_{max} , CK→Q)



Waveform-2 (Clear→Q)



- Notes) 1. Right-shift is measured with Q_A at t_{n+1} , Q_B at t_{n+2} , Q_C at t_{n+3} , and Q_D at t_{n+4} . Left-shift is measured with Q_A at t_{n+4} , Q_B at t_{n+3} , Q_C at t_{n+2} , and Q_D at t_{n+1} .

Input pulse: $t_{TLH} \leq 15ns$, $t_{THL} \leq 6ns$

HD74LS195A • 4-bit Parallel-Access Shift Registers

This 4-bit register features parallel inputs, parallel outputs, J-K serial inputs, shift/load control input, and a direct overriding clear. All inputs are buffered to lower the input drive requirements. The registers have two modes of operation:

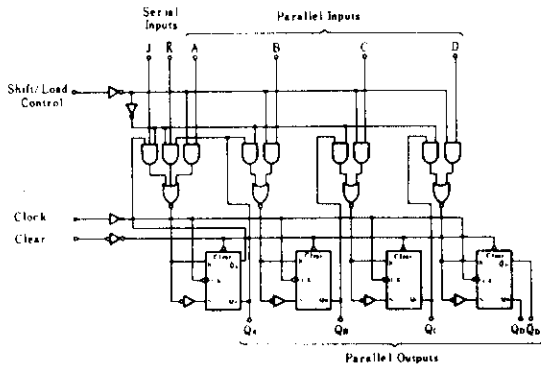
Parallel (broadside) load

Shift (in the direction Q_A toward Q_D)

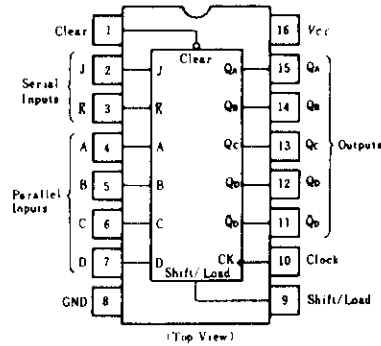
Parallel loading is accomplished by applying the four bits of data and taking the shift/load control input low. The data

is loaded into the associated flip-flop and appears at the outputs after the positive transition of the clock input. During loading, serial data flow is inhibited. Shifting is accomplished synchronously when the shift/load control input is high. Serial data for this mode is entered at the J-K inputs. These inputs permit the first stage to perform as a J-K, D-, or T-type flip-flop as shown in the function table.

■ BLOCK DIAGRAM



■ PIN ARRANGEMENT



■ RECOMMENDED OPERATING CONDITIONS

Item	Symbol	min	typ	max	Unit
Clock frequency	f_{clock}	0	—	30	MHz
Clock pulse width	$t_{c(CK)}$	16	—	—	ns
Clear pulse width	$t_{c(CLK)}$	12	—	—	ns
Setup time	Shift/load	25	—	—	ns
	Serial and parallel data	15	—	—	
	Clear inactive-state	25	—	—	
Release time	$t_{release}$	—	—	5	ns
Hold time	t_H	0	—	—	ns

■ FUNCTION TABLE

Clear	Shift/Load	Inputs								Outputs				
		Clock	Serial		Parallel				Q_A	Q_B	Q_C	Q_D	\bar{Q}_D	
			J	\bar{K}	A	B	C	D						
L	X	X	X	X	X	X	X	X	X	L	L	L	L	H
H	L	↑	X	X	a	b	c	d		a	b	c	d	\bar{d}
H	H	L	X	X	X	X	X	X		Q_{A0}	Q_{B0}	Q_{C0}	Q_{D0}	\bar{Q}_{D0}
H	H	↑	L	H	X	X	X	X		Q_{A0}	Q_{A0}	Q_{Bn}	Q_{Cn}	\bar{Q}_{Cn}
H	H	↑	L	L	X	X	X	X		L	Q_{An}	Q_{Bn}	Q_{Cn}	\bar{Q}_{Cn}
H	H	↑	H	H	X	X	X	X		H	Q_{An}	Q_{Bn}	Q_{Cn}	\bar{Q}_{Cn}
H	H	↑	H	L	X	X	X	X		\bar{Q}_{An}	Q_{An}	Q_{Bn}	Q_{Cn}	\bar{Q}_{Cn}

Notes) 1. H; high level, L; low level, X; irrelevant
 2. ↑; transition from low to high level
 3. ↓; transition from high to low level
 4. a~d; the level of steady-state input at inputs A,B,C, or D, respectively

5. $Q_{A0} \sim Q_{D0}$: the level of Q_A , Q_B , Q_C , or Q_D , respectively, before the indicated steady-state input conditions were established.
 6. $Q_{An} \sim Q_{Dn}$: the level of Q_A , Q_B , Q_C , or Q_D , respectively, before the most-recent ↑ transition of the clock.

■ ELECTRICAL CHARACTERISTICS ($T_a = -20 \sim +75^\circ\text{C}$)

Item	Symbol	Test Conditions	min	typ*	max	Unit
Input voltage	V_{IH}		2.0	—	—	V
	V_{IL}		—	—	0.8	V
Output voltage	V_{OH}	$V_{CC}=4.75\text{V}, V_{IH}=2\text{V}, V_{IL}=0.8\text{V}, I_{OH}=-400\mu\text{A}$	2.7	—	—	V
	V_{OL}	$V_{CC}=4.75\text{V}, V_{IH}=2\text{V}, I_{OL}=4\text{mA}$	—	—	0.4	V
		$V_{IL}=0.8\text{V}, I_{OL}=8\text{mA}$	—	—	0.5	
Input current	I_{IH}	$V_{CC}=5.25\text{V}, V_I=2.7\text{V}$	—	—	20	μA
	I_{IL}	$V_{CC}=5.25\text{V}, V_I=0.4\text{V}$	—	—	-0.4	mA
	I_I	$V_{CC}=5.25\text{V}, V_I=7\text{V}$	—	—	0.1	mA
Short-circuit output current	I_{OS}	$V_{CC}=5.25\text{V}$	-20	—	-100	mA
Supply current**	I_{CC}	$V_{CC}=5.25\text{V}$	—	14	21	mA
Input clamp voltage	V_{IK}	$V_{CC}=4.75\text{V}, I_{IN}=-18\text{mA}$	—	—	-1.5	V

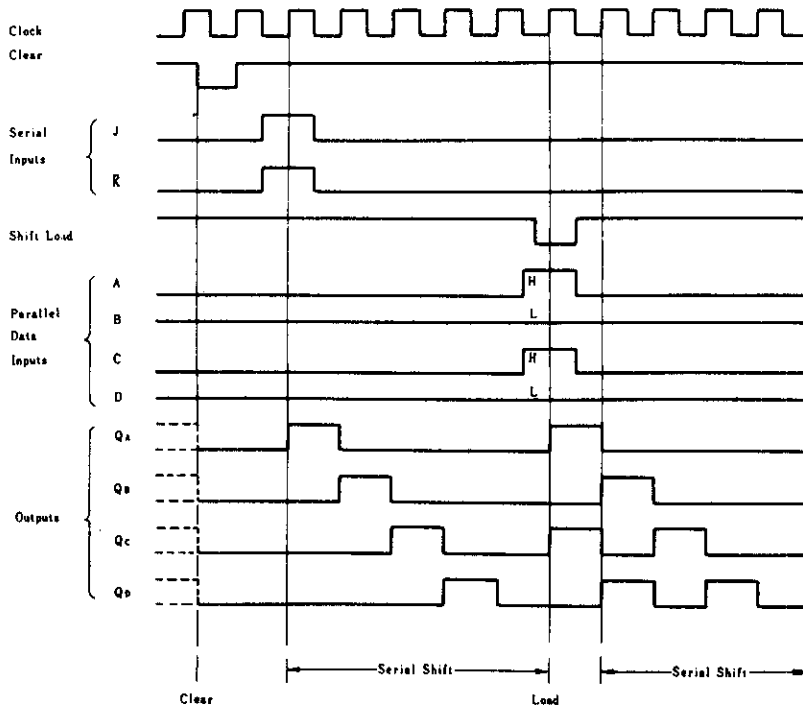
* $V_{CC}=5\text{V}, T_a=25^\circ\text{C}$

** With all outputs open, shift/load grounded, and 4.5V applied to the J, \bar{K} , and data inputs, I_{CC} is measured by applying a momentary ground, followed by 4.5V, to clear and then applying a momentary ground, followed by 4.5V, to clock.

■ SWITCHING CHARACTERISTICS ($V_{CC}=5\text{V}, T_a=25^\circ\text{C}$)

Item	Symbol	Inputs	Outputs	Test Conditions	min	typ	max	Unit
Maximum clock frequency	f_{max}	Clock	$Q_A \sim Q_D$	$C_L=15\text{pF}$ $R_L=2\text{k}\Omega$	30	39	—	MHz
Propagation delay time	t_{PHL}	Clear	$Q_A \sim Q_D$		—	19	30	ns
	t_{PLH}	Clock	$Q_A \sim Q_D, \bar{Q}_D$		—	14	22	ns
	t_{PHL}				—	17	26	ns

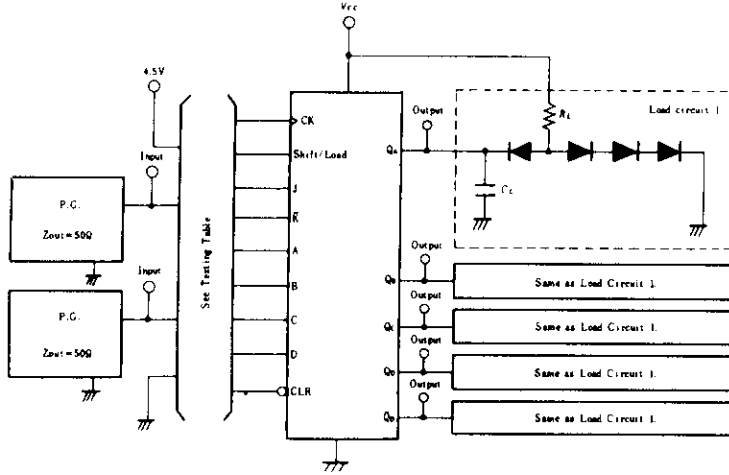
■ COUNT SEQUENCE



HD74LS195A

TESTING METHOD

1) Test Circuit

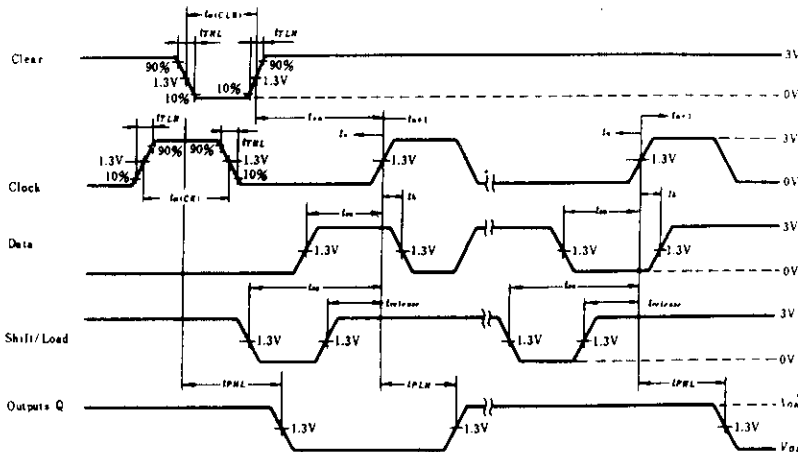


- Notes) 1. C_L includes probe and jig capacitance.
2. All diodes are 1S2074 (H).

2) Testing Table

Item	From input to output	Inputs									Outputs				
		CLR	Shift/Load	J	\bar{K}	CK	A	B	C	D	QA	QB	QC	QD	\bar{Q}_D
f_{max}		4.5V	4.5V	4.5V	GND	IN	4.5V	4.5V	4.5V	4.5V	OUT	OUT	OUT	OUT	OUT
t_{PHL}	Clear → QA~QD	IN	GND	4.5V	4.5V	IN	4.5V	4.5V	4.5V	4.5V	OUT	OUT	OUT	OUT	—
t_{PLH}	Clock → QA~QD, \bar{Q}_D	4.5V	4.5V	4.5V	GND	IN	4.5V	4.5V	4.5V	4.5V	OUT	OUT	OUT	OUT	OUT
t_{PHL}	QA~QD, \bar{Q}_D	4.5V	GND	4.5V	4.5V	IN	IN	IN	IN	IN	OUT	OUT	OUT	OUT	OUT

Waveform



- Notes) 1. Input pulse; $t_{TLH} \leq 15ns$, $t_{THL} \leq 6ns$, $PRR=1MHz$, duty cycle 50%
2. A clear pulse is applied prior to each test.
3. Propagation delay times (t_{PLH} and t_{PHL}) are measured at t_{m+j} . Proper shifting of data is verified at t_{m+4} with a functional test.
4. J and \bar{K} inputs are tested the same as data A, B, C, and D

- inputs except that shift/load input remains high.
5. t_m : bit time before clocking transition.
6. t_{m+j} : bit time after one clocking transition.
7. t_{m+4} : bit time after four clocking transition.

HD74LS221 • Dual Monostable Multivibrators

This multivibrator features a negative-transition-triggered input and a positive-transition-triggered input either of which can be used as an inhibit input. Pulse triggering occurs at a particular voltage level and is not directly related to the transition time of the input pulse. Schmitt-trigger input circuitry (TTL hysteresis) for B input allows jitter-free triggering from inputs with transition rates as slow as 1V/s, providing the circuit with excellent noise immunity of typically 1.2V. A high immunity to V_{CC} noise of typically 1.5V is also provided by internal latching circuitry. Once fired, the outputs are independent of further transitions of the A and B inputs and are a function of the timing components, or the output pulses can be terminated by the overriding clear. Input pulses may be of any duration relative to the output pulse. Output rise and fall times are TTL compatible and independent of pulse length.

Typical triggering and clearing sequence are illustrated as a part of the switching characteristics waveforms. Pulse width stability is achieved through internal compensation and is virtually independent of V_{CC} and temperature.

In most applications, pulse stability will only be limited by the accuracy of external timing components. Jitter-free operation is maintained over the full temperature and V_{CC} range for more than six decades of timing capacitance (10pF to 10 μ F) and more than one decade of timing resistance (2k Ω to 100k Ω).

Throughout these ranges, pulse width is defined by the relationship: $t_w(out) = C_{ext} \cdot R_{ext} \cdot 1n_2$.

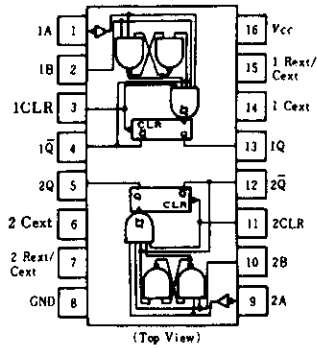
FUNCTION TABLE

Inputs			Outputs	
Clear	A	B	Q	\bar{Q}
L	x	x	L	H
x	H	x	L	H
x	x	L	L	H
H	L	↑		
H	↓	H		
↑	L	H		

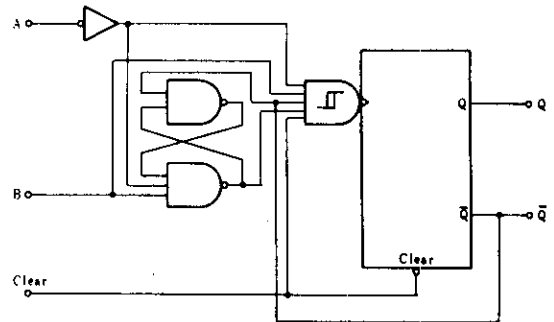
H; high level, L; low level, X; irrelevant.
 ↓; Transition from high to low level.

↑; Transition from low to high level.
; one high-level pulse.
; one low-level pulse.

PIN ARRANGEMENT



BLOCK DIAGRAM (1/2)



RECOMMENDED OPERATING CONDITIONS

Item	Symbol	min	typ	max	Unit
Rate of rise or fall of input pulse	Schmitt input, B	1	—	—	V/s
	logic input, A	1	—	—	V/ μ s
Input pulse width	A or B	40	—	—	ns
	Clear	40	—	—	
Setup time	t_w	15	—	—	ns
External timing resistance	R_{ext}	1.4	—	100	k Ω
External timing capacitance	C_{ext}	0	—	1,000	μ F
Duty cycle	$R_T = 2k\Omega$	—	—	50	%
	$R_T = 100k\Omega$	—	—	90	

HD74LS221

■ ELECTRICAL CHARACTERISTICS ($T_a = -20 \sim +75^\circ\text{C}$)

Item	Symbol	Test Conditions	min	typ*	max	Unit	
Threshold voltage	A	V_T^+ $V_{CC}=4.75\text{V}$	—	1.0	2.0	V	
		V_T^- $V_{CC}=4.75\text{V}$	0.8	1.0	—	V	
	B	V_T^+ $V_{CC}=4.75\text{V}$	—	1.0	2.0	V	
		V_T^- $V_{CC}=4.75\text{V}$	0.8	0.9	—	V	
Output voltage	V_{OH}	$V_{CC}=4.75\text{V}$, $I_{OH} = -400\mu\text{A}$	2.7	—	—	V	
		V_{OL} $V_{CC}=4.75\text{V}$	$I_{OL} = 4\text{mA}$	—	—	0.4	V
			$I_{OL} = 8\text{mA}$	—	—	0.5	
Input current	A	I_{IH} $V_{CC}=5.25\text{V}$, $V_I=2.7\text{V}$	—	—	20	μA	
		B, Clear	I_{IL} $V_{CC}=5.25\text{V}$, $V_I=0.4\text{V}$	—	—	-0.4	mA
	I_I $V_{CC}=5.25\text{V}$, $V_I=7\text{V}$		—	—	-0.8		
	I_I $V_{CC}=5.25\text{V}$, $V_I=7\text{V}$	—	—	0.1	mA		
Short-circuit output current	I_{OS}	$V_{CC}=5.25\text{V}$	-20	—	-100	mA	
Supply current	I_{CC}	$V_{CC}=5.25\text{V}$	Quiescent	—	4.7	11	mA
			Triggered	—	19	27	
Input clamp voltage	V_{IK}	$V_{CC}=4.75\text{V}$, $I_{IK} = -18\text{mA}$	—	—	-1.5	V	

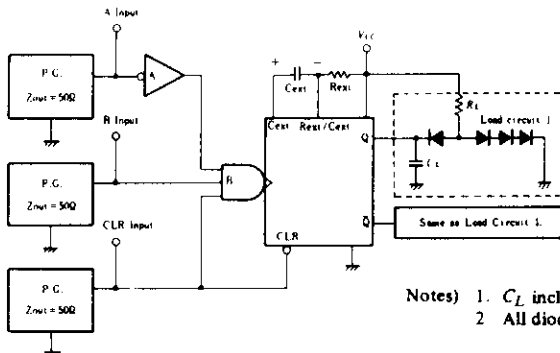
* $V_{CC}=5\text{V}$, $T_a=25^\circ\text{C}$

■ SWITCHING CHARACTERISTICS ($V_{CC}=5\text{V}$, $T_a=25^\circ\text{C}$)

Item	Symbol	Inputs	Outputs	Test Conditions	min	typ	max	Unit	
Propagation delay time	t_{PLH}	A	Q	$C_L = 15\text{pF}$ $R_L = 2\text{k}\Omega$	—	45	70	ns	
		B	Q		—	35	55		
	t_{PHL}	A	\bar{Q}		$C_{ext} = 80\text{pF}$ $R_{ext} = 2\text{k}\Omega$	—	50	80	ns
		B	\bar{Q}		—	40	65		
	t_{PHL}	Clear	Q		—	—	35	55	ns
		t_{PLH}	Clear		\bar{Q}	—	44	65	ns
Output pulse width	t_{LOW}	A or B	Q or \bar{Q}	$C_{ext} = 80\text{pF}$, $R_{ext} = 2\text{k}\Omega$	70	120	150	ns	
				$C_{ext} = 0$, $R_{ext} = 2\text{k}\Omega$	20	47	70		
				$C_{ext} = 100\text{pF}$, $R_{ext} = 10\text{k}\Omega$	600	670	750		
				$C_{ext} = 1\mu\text{F}$, $R_{ext} = 10\text{k}\Omega$	6	6.7	7.5		ms

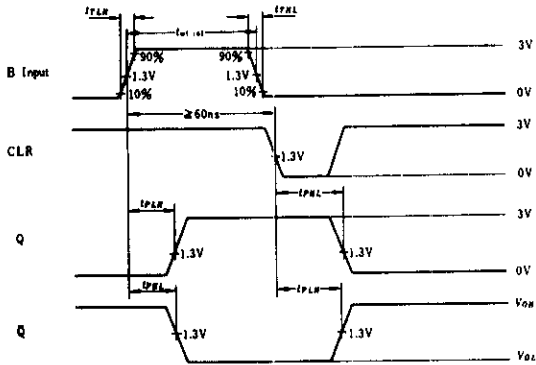
■ TESTING METHOD

1) Test Circuit

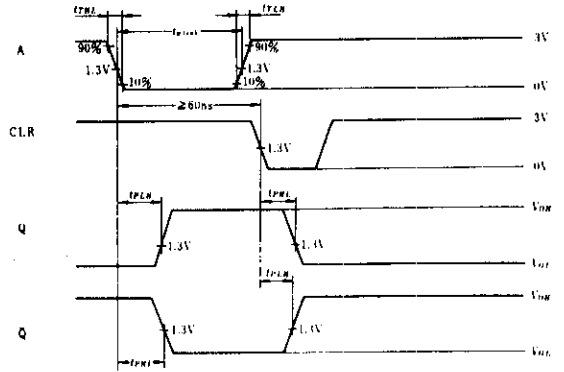


- Notes) 1. C_L includes probe and jig capacitance.
2. All diodes are 1S2074 (H).

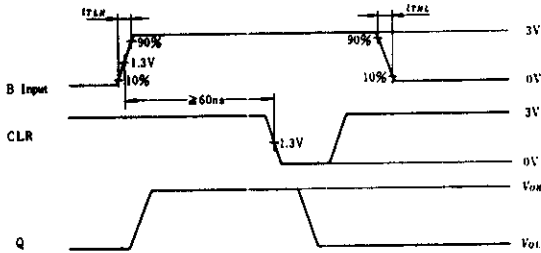
Waveform



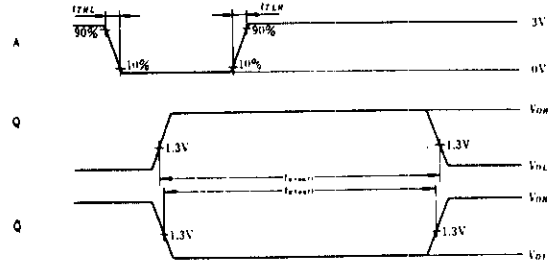
Trigger from B, then clear (A input is low).



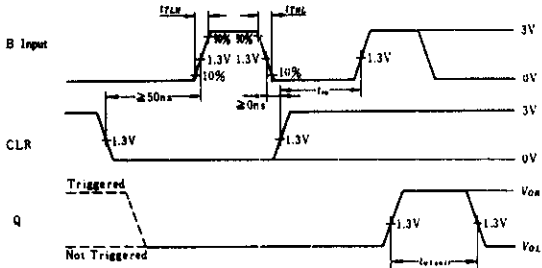
Trigger from A, then clear (B input is high).



Trigger from B, then clear (A input is low).

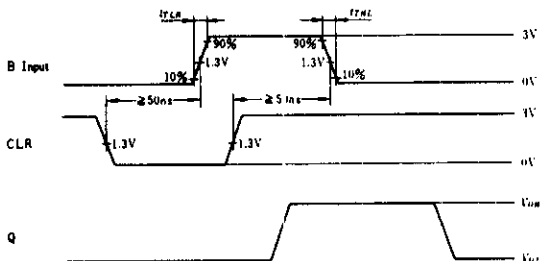


Trigger from A (B and clear inputs are high).



Clear overriding B, then trigger from B.

Note) Input pulse: $t_{TLH} \leq 15\text{ns}$, $t_{THL} \leq 6\text{ns}$, $PRR = 1\text{MHz}$

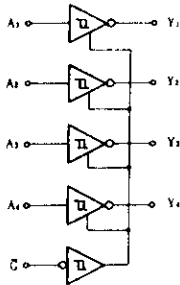


Triggering from positive transition of Clear.

HD74LS240

Octal Buffers/Line Drivers/Line Receivers (inverted three-state outputs)

■ BLOCK DIAGRAM (1/2)

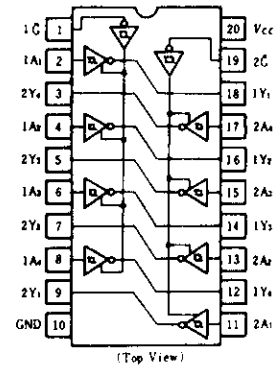


■ FUNCTION TABLE

Inputs		Output
\bar{C}	A	Y
H	X	Z
L	H	L
L	L	H

Note) H; high level,
L; low level,
X; irrelevant
Z; off (high-impedance) state
of a 3-state output

■ PIN ARRANGEMENT



■ ELECTRICAL CHARACTERISTICS (Ta = -20 ~ +75°C)

Item	Symbol	Test Conditions	min	typ*	max	Unit	
Input voltage	V_{IH}		2.0	—	—	V	
	V_{IL}		—	—	0.8	V	
Hysteresis	$V_{T+} - V_{T-}$	$V_{CC} = 4.75V$	0.2	0.4	—	V	
Output voltage	V_{OH}	$V_{CC} = 4.75V$, $V_{IH} = 2V$	$V_{IL} = 0.8V, I_{OH} = -3mA$ 2.4	—	—	V	
	V_{OL}	$V_{CC} = 4.75V, V_{IH} = 2V$, $V_{IL} = 0.8V$	$I_{OL} = 12mA$ — $I_{OL} = 24mA$ —	—	—	0.4 0.5	V
Output current	I_{OZH}	$V_{CC} = 5.25V, V_{IH} = 2V$,	$V_O = 2.7V$	—	—	20	μA
	I_{OZL}	$V_{IL} = 0.8V$	$V_O = 0.4V$	—	—	-20	μA
Input current	I_{IH}	$V_{CC} = 5.25V, V_i = 2.7V$	—	—	20	μA	
	I_{iL}	$V_{CC} = 5.25V, V_i = 0.4V$	—	—	-0.2	mA	
	I_i	$V_{CC} = 5.25V, V_i = 7V$	—	—	0.1	mA	
Short-circuit output current	I_{OS}	$V_{CC} = 5.25V$	-40	—	-225	mA	
Supply current**	Outputs high	$V_{CC} = 5.25V$	—	13	23	mA	
	Outputs low		—	26	44		
	All outputs disabled		—	29	50		
Input clamp voltage	V_{IK}	$V_{CC} = 4.75V, I_{IK} = -18mA$	—	—	-1.5	V	

* $V_{CC} = 5V, T_a = 25^\circ C$

** I_{CC} is measured with all outputs open.

■ SWITCHING CHARACTERISTICS (Vcc = 5V, Ta = 25°C)

Item	Symbol	Test Conditions	min	typ	max	Unit
Propagation delay time	t_{PLH}	$C_L = 45pF, R_L = 667\Omega$	—	9	14	ns
	t_{PHL}		—	12	18	
Output enable time	t_{ZL}		$C_L = 5pF, R_L = 667\Omega$	—	20	30
	t_{ZH}	—		15	23	ns
Output disable time	t_{LZ}	$C_L = 5pF, R_L = 667\Omega$	—	15	25	ns
	t_{HZ}		—	10	18	ns

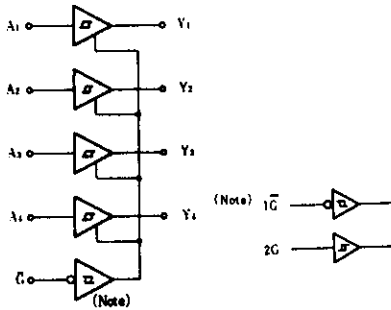
Note) Refer to Test Circuit and Waveform of the Common Item

HD74LS241

Octal Buffers/Line Drivers/Line Receivers

(non inverted three-state outputs)

BLOCK DIAGRAM (1/2)

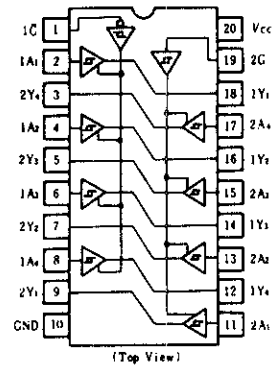


FUNCTION TABLE

Inputs			Output
1G	2G	A	Y
H	L	X	Z
L	H	H	H
L	H	L	L

Note) H; high level,
L; low level,
X; irrelevant
Z; off (high-impedance) state
of a 3-state output

PIN ARRANGEMENT



ELECTRICAL CHARACTERISTICS (Ta = -20 ~ +75°C)

Item	Symbol	Test Conditions	min	typ*	max	Unit
Input voltage	V_{IH}		2.0	—	—	V
	V_{IL}		—	—	0.8	V
Hysteresis	$V_{T^+} - V_{T^-}$	$V_{CC} = 4.75V$	0.2	0.4	—	V
Output voltage	V_{OH}	$V_{CC} = 4.75V, V_{IH} = 2V, V_{IL} = 0.8V, I_{OH} = -3mA$	2.4	—	—	V
	V_{OL}	$V_{CC} = 4.75V, V_{IH} = 2V, V_{IL} = 0.5V, I_{OH} = -15mA$	2.0	—	—	V
Output current	I_{OZH}	$V_{CC} = 4.75V, V_{IH} = 2V, V_{IL} = 0.8V$	—	—	0.4	V
	I_{OZL}	$V_{CC} = 4.75V, V_{IH} = 2V, V_{IL} = 0.8V$	—	—	0.5	V
Output current	I_{OZH}	$V_{CC} = 5.25V, V_{IH} = 2V, V_{IL} = 0.8V$	—	—	20	μA
	I_{OZL}	$V_{CC} = 5.25V, V_{IH} = 2V, V_{IL} = 0.8V$	—	—	-20	μA
Input current	I_{IH}	$V_{CC} = 5.25V, V_I = 2.7V$	—	—	20	μA
	I_{IL}	$V_{CC} = 5.25V, V_I = 0.4V$	—	—	-0.2	mA
	I_I	$V_{CC} = 5.25V, V_I = 7V$	—	—	0.1	mA
Short-circuit output current	I_{OS}	$V_{CC} = 5.25V$	-40	—	-225	mA
Supply current**	Outputs high	$V_{CC} = 5.25V$	—	13	23	mA
	Outputs low		—	27	46	
	All outputs disabled		—	32	54	
Input clamp voltage	V_{IK}	$V_{CC} = 4.75V, I_{IN} = -18mA$	—	—	-1.5	V

* $V_{CC} = 5V, T_a = 25^\circ C$

** I_{CC} is measured with all outputs open.

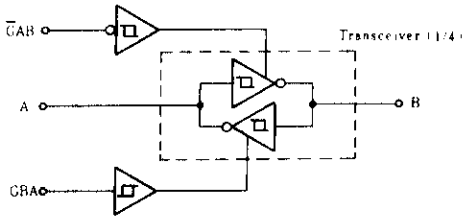
SWITCHING CHARACTERISTICS (Vcc = 5V, Ta = 25°C)

Item	Symbol	Test Conditions	min	typ	max	Unit
Propagation delay time	t_{PLH}	$C_L = 45pF, R_L = 667\Omega$	—	12	18	ns
	t_{PHL}		—	12	18	
Output enable time	t_{ZL}	$C_L = 45pF, R_L = 667\Omega$	—	20	30	ns
	t_{ZH}		—	15	23	
Output disable time	t_{LZ}	$C_L = 5pF, R_L = 667\Omega$	—	15	25	ns
	t_{HZ}		—	10	18	

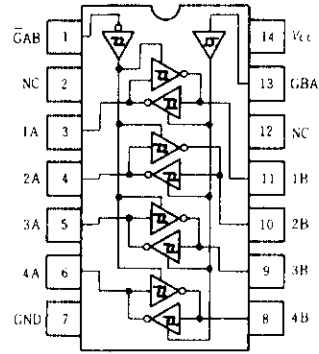
Note) Refer to Test Circuit and Waveform of the Common Item

HD74LS242 • Quadruple Bus Transceivers (with three-state outputs)

■ BLOCK DIAGRAM



■ PIN ARRANGEMENT



[Top View]

■ FUNCTION TABLE

Control input		Data port status	
$\bar{G}AB$	GBA	A	B
H	H	Inverting output	Input
L	H		*
H	L	Isolated	Isolated
L	L	Input	Inverting output

Notes) 1. H; high level, L; low level

2. *: Possibly destructive oscillation may occur if the transceivers are enabled in both directions at once.

■ RECOMMENDED OPERATING CONDITIONS

Item	Symbol	min	typ	max	Unit
Output current	I_{OH}	-	-	15	mA
	I_{OL}	-	-	24	mA

■ ELECTRICAL CHARACTERISTICS ($T_a = -20 \sim +75^\circ\text{C}$)

Item	Symbol	Test Conditions	min	typ*	max	Unit	
Input voltage	V_{IH}		2.0	-	-	V	
	V_{IL}		-	-	0.8	V	
Hysteresis	$V_{T+} - V_{T-}$	$V_{CC} = 4.75\text{V}$	0.2	0.4	-	V	
Output voltage	V_{OH}	$V_{CC} = 4.75\text{V}, V_{IH} = 2\text{V}, V_{IL} = 0.8\text{V}, I_{OH} = -3\text{mA}$	2.4	-	-	V	
		$V_{CC} = 4.75\text{V}, V_{IH} = 2\text{V}, V_{IL} = 0.5\text{V}, I_{OH} = -15\text{mA}$	2	-	-	V	
	V_{OL}	$V_{CC} = 4.75\text{V}, V_{IH} = 2\text{V}, V_{IL} = 0.8\text{V}$	$I_{OL} = 12\text{mA}$ $I_{OL} = 24\text{mA}$	-	-	0.4 0.5	V
Output current	I_{OZH}	$V_{CC} = 5.25\text{V}, V_{IH} = 2\text{V}, V_{IL} = 0.8\text{V}$	$V_O = 2.7\text{V}$	-	-	40	μA
	I_{OZL}		$V_O = 0.4\text{V}$	-	-	200	μA
Input current	I_{IH}	$V_{CC} = 5.25\text{V}, V_I = 2.7\text{V}$	-	-	20	μA	
	A Input	$V_{CC} = 5.25\text{V}, V_I = 0.4\text{V}, \bar{G}AB$ and GBA at GND	-	-	0.2	mA	
	B Input		$V_{CC} = 5.25\text{V}, V_I = 0.4\text{V}, \bar{G}AB$ and GBA at 4.5V	-	-		0.2
	$\bar{G}AB$ or GBA		$V_{CC} = 5.25\text{V}, V_I = 0.4\text{V}$	-	-		0.2
	A or B	$V_{CC} = 5.25\text{V}, V_I = 5.5\text{V}$	-	-	0.1	mA	
$\bar{G}AB$ or GBA	$V_{CC} = 5.25\text{V}, V_I = 7\text{V}$		-	-	0.1		
Short-circuit output current	I_{OS}	$V_{CC} = 5.25\text{V}$	-40	-	225	mA	
Supply current**	I_{CCH}	$V_{CC} = 5.25\text{V}$	-	22	38	mA	
	I_{CCL}		-	29	50		
	I_{CCZ}		-	29	50		
Input clamp voltage	V_{IK}	$V_{CC} = 4.75\text{V}, I_{IK} = -18\text{mA}$	-	-	1.5	V	

* $V_{CC} = 5\text{V}, T_a = 25^\circ\text{C}$

** With all outputs open, I_{CC} is measured with transceivers enabled in one direction only, or with all transceivers disabled.

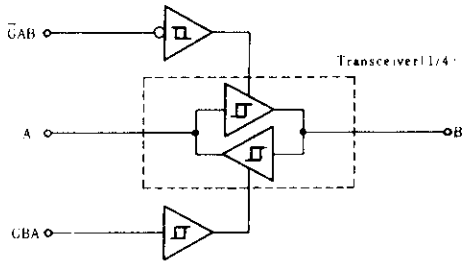
■ SWITCHING CHARACTERISTICS ($V_{CC}=5V$, $T_a=25^{\circ}C$)

Item	Symbol	Test Conditions	min	typ	max	Unit	
Propagation delay time	t_{PLH}	$C_L = 45pF$ $R_L = 667\Omega$	—	9	14	ns	
	t_{PHL}		—	12	18		
Output enable time	t_{ZL}		$C_L = 5pF$ $R_L = 667\Omega$	—	20		30
	t_{ZH}			—	15		23
Output disable time	t_{LZ}	$C_L = 5pF$ $R_L = 667\Omega$	—	15	25		
	t_{HZ}		—	10	18		

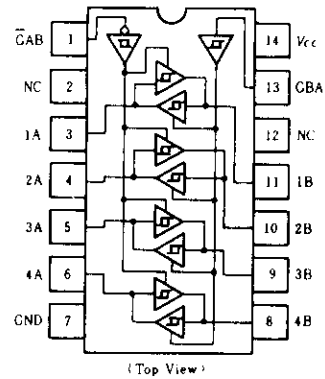
Note) Refer to Test Circuit and Waveform of the Common Item

HD74LS243 • Quadruple Bus Transceivers (with three-state outputs)

■ BLOCK DIAGRAM



■ PIN ARRANGEMENT



■ FUNCTION TABLE

Control input		Data port status	
$\bar{G}AB$	GBA	A	B
H	H	Output	Input
L	H	*	
H	L	Isolated	Isolated
L	L	Input	Output

- Notes) 1. H; high level, L; low level
 2. *: Possibly destructive oscillation may occur if the transceivers are enabled in both directions at once.

■ RECOMMENDED OPERATING CONDITIONS

Item	Symbol	min	typ	max	Unit
Output current	I_{OH}	—	—	-15	mA
	I_{OL}	—	—	24	mA

■ ELECTRICAL CHARACTERISTICS ($T_a = -20 \sim +75^\circ\text{C}$)

Item	Symbol	Test Conditions	min	typ*	max	Unit	
Input voltage	V_{IH}		2.0	—	—	V	
	V_{IL}		—	—	0.8	V	
Hysteresis	$V_T^+ - V_T^-$	$V_{CC} = 4.75\text{V}$	0.2	0.4	—	V	
Output voltage	V_{OH}	$V_{CC} = 4.75\text{V}, V_{IH} = 2\text{V}, V_{IL} = 0.8\text{V}, I_{OH} = -3\text{mA}$	2.4	—	—	V	
		$V_{CC} = 4.75\text{V}, V_{IH} = 2\text{V}, V_{IL} = 0.5\text{V}, I_{OH} = -15\text{mA}$	2	—	—	V	
	V_{OL}	$V_{CC} = 4.75\text{V}, V_{IH} = 2\text{V}, V_{IL} = 0.8\text{V}$				V	
Output current	I_{OZH}	$V_{CC} = 5.25\text{V}, V_{IH} = 2\text{V}, V_{IL} = 0.8\text{V}$	$I_{OL} = 12\text{mA}$	—	—	0.4	μA
			$I_{OL} = 24\text{mA}$	—	—	0.5	μA
Output current	I_{OZL}	$V_{CC} = 5.25\text{V}, V_{IH} = 2\text{V}, V_{IL} = 0.8\text{V}$	$V_O = 2.7\text{V}$	—	—	40	μA
			$V_O = 0.4\text{V}$	—	—	-200	μA
Input current	I_{IH}	$V_{CC} = 5.25\text{V}, V_I = 2.7\text{V}$	—	—	20	μA	
			—	—	20	μA	
	A input	I_{IL}	$V_{CC} = 5.25\text{V}, V_I = 0.4\text{V}, \bar{G}AB \text{ and } GBA \text{ at GND}$	—	—	-0.2	mA
	B input		$V_{CC} = 5.25\text{V}, V_I = 0.4\text{V}, \bar{G}AB \text{ and } GBA \text{ at } 4.5\text{V}$	—	—	-0.2	mA
	$\bar{G}AB \text{ or } GBA$		$V_{CC} = 5.25\text{V}, V_I = 0.4\text{V}$	—	—	-0.2	mA
A or B	I_i	$V_{CC} = 5.25\text{V}, V_I = 5.5\text{V}$	—	—	0.1	mA	
$\bar{G}AB \text{ or } GBA$		$V_{CC} = 5.25\text{V}, V_I = 7\text{V}$	—	—	0.1	mA	
Short-circuit output current	I_{OS}	$V_{CC} = 5.25\text{V}$	-40	—	-225	mA	
Supply current**	I_{CC}	$V_{CC} = 5.25\text{V}$	I_{CCH}	—	22	38	mA
			I_{CCL}	—	29	50	mA
			I_{CCZ}	—	32	54	mA
Input clamp voltage	V_{IK}	$V_{CC} = 4.75\text{V}, I_{IN} = -18\text{mA}$	—	—	-1.5	V	

* $V_{CC} = 5\text{V}, T_a = 25^\circ\text{C}$

** With all outputs open, I_{CC} is measured with transceivers enabled in one direction only, or with all transceivers disabled.

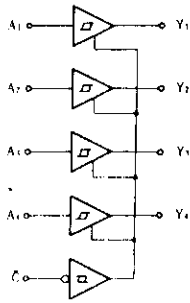
■ SWITCHING CHARACTERISTICS ($V_{CC}=5V$, $T_a=25^{\circ}C$)

Item	Symbol	Test Conditions	min	typ	max	Unit	
Propagation delay time	t_{PLH}	$C_L=45pF$ $R_L=667\Omega$	—	12	18	ns	
	t_{PHL}		—	12	18		
Output enable time	t_{ZL}		$C_L=5pF$ $R_L=667\Omega$	—	20		30
	t_{ZH}			—	15		23
Output disable time	t_{LLZ}		$C_L=5pF$ $R_L=667\Omega$	—	15		25
	t_{HZ}			—	10		18

Note) Refer to Test Circuit and Waveform of the Common Item

HD74LS244 • Octal Buffers/Line Drivers/Line Receivers (non inverted three-state outputs)

■ BLOCK DIAGRAM (1/2)

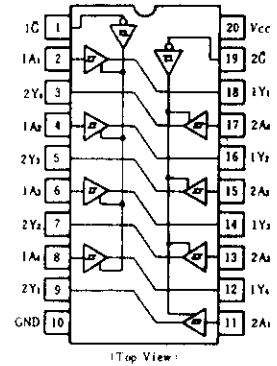


■ FUNCTION TABLE

Input		Output
\bar{G}	A	Y
H	X	Z
L	H	H
L	L	L

Note) H; high level,
L; low level,
X; irrelevant
Z; off (high-impedance) state
of a 3-state output

■ PIN ARRANGEMENT



■ ELECTRICAL CHARACTERISTICS ($T_a = -20 \sim +75^\circ\text{C}$)

Item	Symbol	Test Conditions	min	typ*	max	Unit	
Input voltage	V_{IH}		2.0	—	—	V	
	V_{IL}		—	—	0.8	V	
Hysteresis	$V_{T+} - V_{T-}$	$V_{CC} = 4.75\text{V}$	0.2	0.4	—	V	
Output voltage	V_{OH}	$V_{CC} = 4.75\text{V}, V_{IH} = 2\text{V}$	$V_{IL} = 0.8\text{V}, I_{OH} = -3\text{mA}$	2.4	—	—	V
			$V_{IL} = 0.5\text{V}, I_{OH} = -15\text{mA}$	2.0	—	—	V
	V_{OL}	$V_{CC} = 4.75\text{V}, V_{IH} = 2\text{V}, V_{IL} = 0.8\text{V}$	$I_{OL} = 12\text{mA}$	—	—	0.4	V
			$I_{OL} = 24\text{mA}$	—	—	0.5	V
Output current	I_{OZH}	$V_{CC} = 5.25\text{V}, V_{IH} = 2\text{V}, V_{OL} = 2.7\text{V}$	—	—	20	μA	
	I_{OZL}	$V_{IL} = 0.8\text{V}$	—	—	-20	μA	
Input current	I_{IH}	$V_{CC} = 5.25\text{V}, V_i = 2.7\text{V}$	—	—	20	μA	
	I_{iL}	$V_{CC} = 5.25\text{V}, V_i = 0.4\text{V}$	—	—	-0.2	mA	
	I_i	$V_{CC} = 5.25\text{V}, V_i = 7\text{V}$	—	—	0.1	mA	
Short-circuit output current	I_{OS}	$V_{CC} = 5.25\text{V}$	-40	—	-225	mA	
Supply current	Output "H"	I_{CC}	$V_{CC} = 5.25\text{V}$	—	13	23	mA
	Output "L"			—	27	46	
	All outputs disabled ¹			—	32	54	
Input clamp voltage	V_{IK}	$V_{CC} = 4.75\text{V}, I_{IK} = -18\text{mA}$	—	—	-1.5	V	

* $V_{CC} = 5\text{V}, T_a = 25^\circ\text{C}$

** I_{CC} is measured with all outputs open.

■ SWITCHING CHARACTERISTICS ($V_{CC} = 5\text{V}, T_a = 25^\circ\text{C}$)

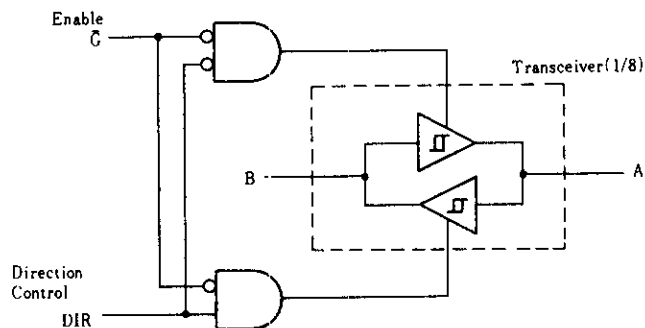
Item	Symbol	Test Conditions	min	typ	max	Unit
Propagation delay time	t_{PLH}	$C_L = 45\text{pF}, R_L = 667\Omega$	—	12	18	ns
	t_{PHL}		—	12	18	
Output enable time	t_{ZL}		$C_L = 5\text{pF}, R_L = 667\Omega$	—	20	30
	t_{ZH}	—		15	23	ns
Output disable time	t_{LZ}	$C_L = 5\text{pF}, R_L = 667\Omega$	—	15	25	ns
	t_{HZ}		—	10	18	ns

Note) Refer to Test Circuit and Waveform of the Common Item

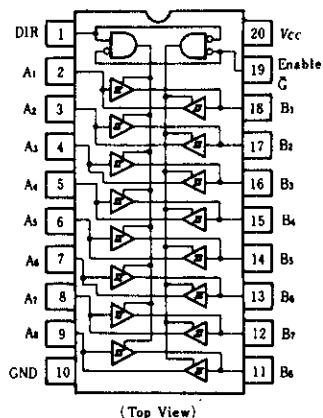
HD74LS245 ● Octal Bus Transceivers (with three-state outputs)

This octal bus transceiver is designed for synchronous two-way communication between data buses. The control function implementation minimizes external timing requirements. The device allows data transmission from the A bus to the B bus or from the B bus to the A bus depending upon the logic level at the direction control (DIR) input. The enable input (\bar{C}) can be used to disable the device so that the buses are effectively isolated.

■ BLOCK DIAGRAM



■ PIN ARRANGEMENT



■ FUNCTION TABLE

ENABLE \bar{C}	DIRECTION CONTROL DIR	OPERATION
L	L	B data to A bus
L	H	A data to B bus
H	X	Isolation

H; high level,
L; low level,
X; irrelevant

■ RECOMMENDED OPERATING CONDITIONS

Item	Symbol	min	typ	max	Unit
Output current	I_{OH}	-	-	-15	mA
	I_{OL}	-	-	24	mA

■ ABSOLUTE MAXIMUM RATINGS

Item	Symbol	Rated	Unit
Supply voltage	V_{CC}	7.0	V
Input voltage	DIR, \bar{C} A, B	V_{IN}	7.0
			5.5
Operating temperature range	T_{opr}	-20 ~ +75	°C
Storage temperature range	T_{str}	-65 ~ +150	°C

HD74LS245

■ ELECTRICAL CHARACTERISTICS ($T_a = -20 \sim +75^\circ\text{C}$)

Item	Symbol	Test Conditions	min	typ*	max	Unit		
Input voltage	V_{IH}		2.0	—	—	V		
	V_{IL}		—	—	0.8			
Hysteresis	$V_{T^+} - V_{T^-}$	$V_{CC} = 4.75\text{V}$	0.2	0.4	—	V		
Output voltage	V_{OH}	$V_{CC} = 4.75\text{V}, V_{IH} = 2\text{V},$ $V_{IL} = 0.8\text{V}$	$I_{OH} = -3\text{mA}$	2.4	—	—	V	
			$I_{OH} = -15\text{mA}$	2	—	—		
	V_{OL}	$V_{CC} = 4.75\text{V}, V_{IH} = 2\text{V},$ $V_{IL} = 0.8\text{V}$	$I_{OL} = 12\text{mA}$	—	—	0.4	V	
			$I_{OL} = 24\text{mA}$	—	—	0.5		
Output current	I_{OZH}	$V_{CC} = 5.25\text{V}$			10	μA		
	I_{OZL}	$\bar{G} = 2\text{V}$			-200			
Input current	I_{IH}	$V_{CC} = 5.25\text{V}, V_I = 2.7\text{V}$	—	—	20	μA		
	I_{IL}	$V_{CC} = 5.25\text{V}, V_I = 0.4\text{V}$	—	—	-0.2	mA		
	A or B DIR or \bar{G}	I_I	$V_{CC} = 5.25\text{V}$	$V_I = 5.5\text{V}$	—	—	0.1	mA
				$V_I = 7\text{V}$	—	—	0.1	
Short-circuit output current	I_{OS}	$V_{CC} = 5.25\text{V}$	-40	—	-225	mA		
Supply current**	I_{CCH}		—	48	70	mA		
	I_{CCL}	$V_{CC} = 5.25\text{V}$	—	62	90			
	I_{CCZ}		—	64	95			
Input clamp voltage	V_{IK}	$V_{CC} = 4.75\text{V}, I_{IN} = -18\text{mA}$	—	—	-1.5	V		

* $V_{CC} = 5\text{V}, T_a = 25^\circ\text{C}$

** I_{CC} is measured with all outputs open.

■ SWITCHING CHARACTERISTICS ($V_{CC} = 5\text{V}, T_a = 25^\circ\text{C}$)

Item	Symbol	Test Conditions	min	typ	max	Unit	
Propagation delay time	t_{PLH}	$C_L = 45\text{pF}$ $R_L = 667\ \Omega$	—	8	15	ns	
	t_{PHL}		—	8	15		
Output enable time	t_{ZL}			—	27		40
	t_{ZH}			—	25		40
Output disable time	t_{LZ}	$C_L = 5\text{pF}$	—	15	25		
	t_{HZ}	$R_L = 667\ \Omega$	—	15	25		

Note) Refer to Test Circuit and Waveform of the Common Item

HD74LS247

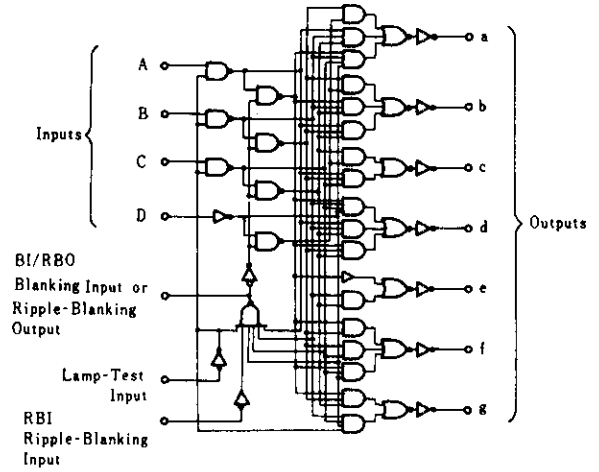
BCD-to-Seven-Segment Decoders/Drivers (with 15V outputs)

The HD74LS247 is electrically and functionally identical to the HD74LS47, respectively, and has the same pin assignments as its equivalents.

It can be used interchangeably in present or future designs to offer designers a choice between two indicator fonts. The HD74LS47 composes the 6 and the 9 without tails and the HD74LS247 composes the 6 and the 9 with tails. Composition of all other characters, including display patterns for BCD inputs above nine, is identical. The HD74LS247 features active-low outputs designed for driving indicators directly. All of the circuits have full ripple-blanking input/output controls and a lamp test input.

Segment identification and resultant displays are shown below. Display patterns for BCD input counts above 9 are unique symbols to authenticate input conditions. This circuit incorporates automatic leading and/or trailing-edge zero-blanking control (RBI and RBO). Lamp test (LT) of this type may be performed at any time when the BI/RBO node is at a high level. This type contains an overriding blanking input (BI) which can be used to control the lamp intensity by pulsing or to inhibit the outputs.

■ BLOCK DIAGRAM

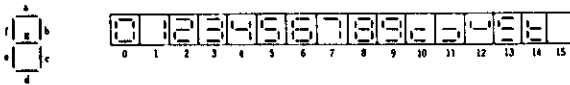


■ ABSOLUTE MAXIMUM RATINGS

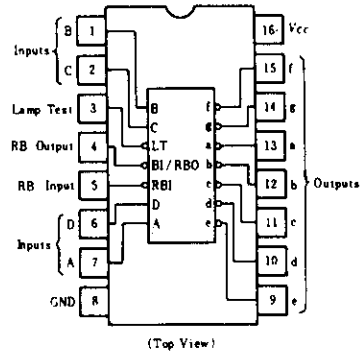
Item	Symbol	Ratings	Unit
Supply voltage	V_{CC}	7.0	V
Input voltage	V_{IN}	7.0	V
Output current ($t_w \leq 1\text{ms}$, duty cycle $\leq 10\%$)	$I_{O(\text{peak})}$	200	mA
Output current (off-state)	$I_{O(\text{off})}$	1	mA
Operating temperature range	T_{opr}	-20 ~ +75	°C
Storage temperature range	T_{stg}	-65 ~ +150	°C

■ RECOMMENDED OPERATING CONDITIONS

Item	Symbol	min	typ	max	Unit
Output voltage	a~g	-	-	15	V
	a~g	-	-	24	mA
Output current	BI/RBO	-	-	-50	μA
	BI/RBO	-	-	3.2	mA



■ PIN ARRANGEMENT



HD74LS247

FUNCTION TABLE

Decimal or Function	Inputs						BI/RBO	Outputs							Note
	LT	RBI	D	C	B	A		a	b	c	d	e	f	g	
0	H	H	L	L	L	L	H	ON	ON	ON	ON	ON	ON	OFF	1
1	H	X	L	L	L	H	H	OFF	ON	ON	OFF	OFF	OFF	OFF	
2	H	X	L	L	H	L	H	ON	ON	OFF	ON	ON	OFF	ON	
3	H	X	L	L	H	H	H	ON	ON	ON	ON	OFF	OFF	ON	
4	H	X	L	H	L	L	H	OFF	ON	ON	OFF	OFF	ON	ON	
5	H	X	L	H	L	H	H	ON	OFF	ON	ON	OFF	ON	ON	
6	H	X	L	H	H	L	H	ON	OFF	ON	ON	ON	ON	ON	
7	H	X	L	H	H	H	H	ON	ON	ON	OFF	OFF	OFF	OFF	
8	H	X	H	L	L	L	H	ON	ON	ON	ON	ON	ON	ON	
9	H	X	H	L	L	H	H	ON	ON	ON	ON	OFF	ON	ON	
10	H	X	H	L	H	L	H	OFF	OFF	OFF	ON	ON	OFF	ON	
11	H	X	H	L	H	H	H	OFF	OFF	ON	ON	OFF	OFF	ON	
12	H	X	H	H	L	L	H	OFF	ON	OFF	OFF	OFF	ON	ON	
13	H	X	H	H	L	H	H	ON	OFF	OFF	ON	OFF	ON	ON	
14	H	X	H	H	H	L	H	OFF	OFF	OFF	ON	ON	ON	ON	
15	H	X	H	H	H	H	H	OFF	OFF	OFF	OFF	OFF	OFF	OFF	
BI	X	X	X	X	X	X	L	OFF	OFF	OFF	OFF	OFF	OFF	OFF	2
RBI	H	L	L	L	L	L	L	OFF	OFF	OFF	OFF	OFF	OFF	OFF	3
LT	L	X	X	X	X	X	H	ON	ON	ON	ON	ON	ON	ON	4

H: high level, L: low level, X: irrelevant

- Notes) 1. The blanking input (BI) must be open or held at a high logic level when output functions 0 through 15 are desired. The ripple-blanking input (RBI) must be open or high if blanking of a decimal zero is not desired.
2. When a low logic level is applied directly to the blanking input (BI), all segment outputs are off regardless of the level of any other input.

3. When ripple-blanking input (RBI) and inputs A, B, C, and D are a low level with the lamp test input high, all segment outputs go off and the ripple-blanking output (RBO) goes to a low level (response condition).
4. When a blanking input ripple blanking input (BI/RBO) is open or held high and a low is applied to the lamp-test input, all segment outputs are on.

ELECTRICAL CHARACTERISTICS ($T_a = -20 \sim +75^\circ\text{C}$)

Item	Symbol	Test Conditions	min	typ*	max	Unit
Input voltage	V_{IH}		2.0	-	-	V
	V_{IL}		-	-	0.8	V
Output voltage	BI/RBO	V_{OH} $V_{CC}=4.75\text{V}$, $V_{IH}=2\text{V}$, $V_{IL}=0.8\text{V}$, $I_{OH}=-50\mu\text{A}$	2.4	-	-	V
	BI/RBO	V_{OL} $V_{CC}=4.75\text{V}$, $V_{IH}=2\text{V}$, $V_{IL}=0.8\text{V}$			0.4	V
Output current	a~g	$I_{O(off)}$ $V_{CC}=5.25\text{V}$, $V_{IH}=2\text{V}$, $V_{IL}=0.8\text{V}$, $V_{O(off)}=15\text{V}$	-	-	250	μA
Output voltage	a~g	$V_{O(on)}$ $V_{CC}=5.25\text{V}$, $V_{IH}=2\text{V}$, $V_{IL}=0.8\text{V}$			0.4	V
					0.5	V
Input current		I_{IH} $V_{CC}=5.25\text{V}$, $V_I=2.7\text{V}$	-	-	20	μA
	except BI/RBO	I_{IL} $V_{CC}=5.25\text{V}$, $V_I=0.4\text{V}$	-	-	-0.4	mA
	BI/RBO		-	-	-1.2	mA
		I_I $V_{CC}=5.25\text{V}$, $V_I=7\text{V}$	-	-	0.1	mA
Short-circuit output current	BI/RBO	I_{OS} $V_{CC}=5.25\text{V}$	-0.3	-	-2	mA
Supply current**		I_{CC} $V_{CC}=5.25\text{V}$	-	7	13	mA
Input clamp voltage		V_{IK} $V_{CC}=4.75\text{V}$, $I_{IK}=-18\text{mA}$	-	-	-1.5	V

* $V_{CC}=5\text{V}$, $T_a=25^\circ\text{C}$

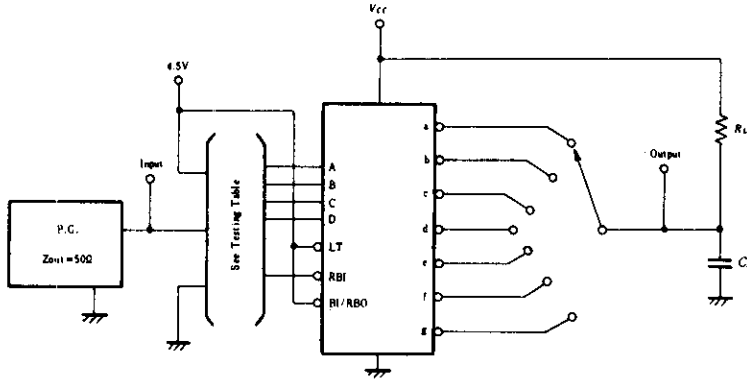
** I_{CC} is measured with all outputs open and all inputs at 4.5V.

SWITCHING CHARACTERISTICS ($V_{CC}=5V$, $T_a=25^\circ C$)

Item	Symbol	Input	Test Conditions	min	typ	max	Unit
Turn-on time	t_{on}	A	$C_L=15pF$, $R_L=665\Omega$	—	—	100	ns
		RBI		—	—	100	
Turn-off time	t_{off}	A		—	—	100	ns
		RBI		—	—	100	

TESTING METHOD

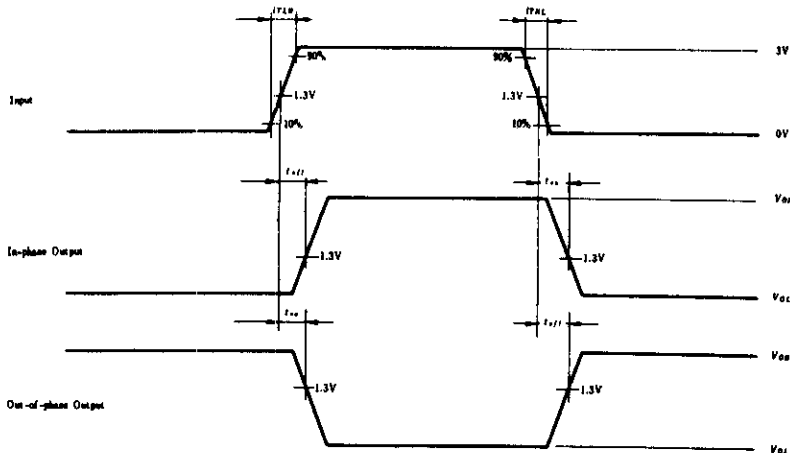
1) Test Circuit



2) Testing Table

Item	Inputs					Outputs						
	RBI	D	C	B	A	a	b	c	d	e	f	g
t_{on}	4.5V	GND	GND	GND	IN	OUT	—	—	OUT	OUT	OUT	—
	4.5V	GND	GND	4.5V	IN	—	—	OUT	—	OUT	—	—
t_{off}	4.5V	GND	4.5V	4.5V	IN	—	OUT	—	OUT	OUT	OUT	OUT
	IN	GND	GND	GND	GND	OUT	OUT	OUT	OUT	OUT	OUT	—

Waveform



- Notes
1. Input pulse: $t_{TR} \leq 15ns$, $t_{THL} \leq 6ns$, $PRR=1MHz$, duty cycle=50%.
 2. C_L includes probe and jig capacitance.

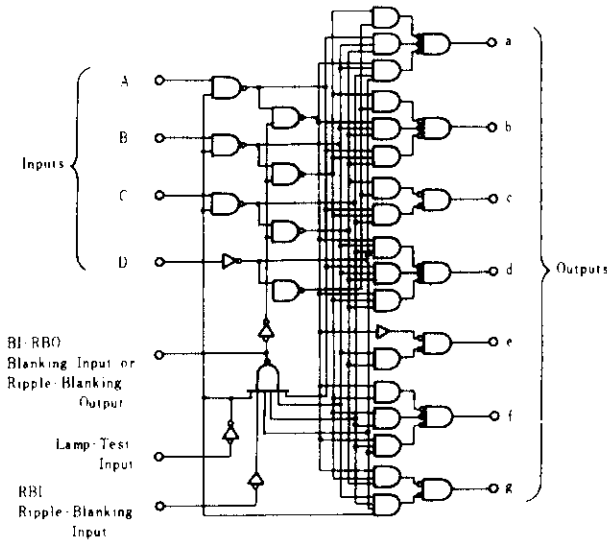
HD74LS248

BCD-to-Seven-Segment Decoders/Drivers (internal pull-up outputs)

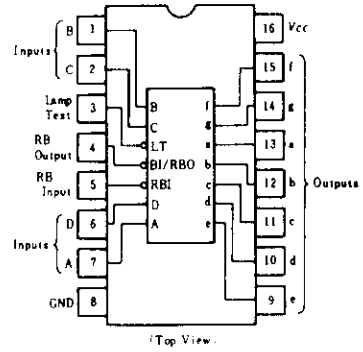
The HD74LS248 is electrically and functionally identical to the HD74LS48, respectively, and has the same pin assignments as its equivalents. It can be used interchangeably in present or future designs to offer designers a choice between two indicator fonts. The HD74LS48 composes the and the without tails and the HD74LS248 composes the and the with tails. Composition of all other characters, including display patterns for BCD inputs above nine, is identical. The HD74LS248 features active-low outputs designed for driving indicators directly. All of the circuits have full ripple-blanking input/output controls and a lamp test input. Segment identification and resultant displays are shown below. Display patterns for BCD input counts above 9 are unique symbols to authenticate input conditions. This circuit incorporates automatic leading and/or trailing-edge zero-blanking control (RBI and RBO).

Lamp test (LT) of this type may be performed at any time when the BI/RBO node is at a high level. This type contains an overriding blanking input (BI) which can be used to control the lamp intensity by pulsing or to inhibit the outputs.

■ BLOCK DIAGRAM

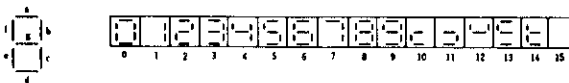


■ PIN ARRANGEMENT



■ RECOMMENDED OPERATING CONDITIONS

Item	Symbol	min	typ	max	Unit
Output current	a~g	-	-	100	μ A
	BI/RBO	-	-	50	
	a~g	-	-	6	mA
	BI/RBO	-	-	3.2	



FUNCTION TABLE

Decimal or Function	Inputs						BI/RBO	Outputs							Note
	LT	RBI	D	C	B	A		a	b	c	d	e	f	g	
0	H	H	L	L	L	L	H	H	H	H	H	H	H	L	1
1	H	X	L	L	L	H	H	L	H	H	L	L	L	L	
2	H	X	L	L	H	L	H	H	H	L	H	H	L	H	
3	H	X	L	L	H	H	H	H	H	H	H	L	L	H	
4	H	X	L	H	L	L	H	L	H	H	L	L	H	H	
5	H	X	L	H	L	H	H	H	L	H	H	L	H	H	
6	H	X	L	H	H	L	H	H	L	H	H	H	H	H	
7	H	X	L	H	H	H	H	H	H	H	L	L	L	L	
8	H	X	H	L	L	L	H	H	H	H	H	H	H	H	
9	H	X	H	L	L	H	H	H	H	H	H	L	H	H	
10	H	X	H	L	H	L	H	L	L	L	H	H	L	H	
11	H	X	H	L	H	H	H	L	L	H	H	L	L	H	
12	H	X	H	H	L	L	H	L	H	L	L	L	H	H	
13	H	X	H	H	L	H	H	H	L	L	L	H	H	H	
14	H	X	H	H	H	L	H	L	L	L	H	H	H	H	
15	H	X	H	H	H	H	H	L	L	L	L	L	L	L	
BI	X	X	X	X	X	X	L	L	L	L	L	L	L	L	2
RBI	H	L	L	L	L	L	L	L	L	L	L	L	L	L	3
LT	L	X	X	X	X	X	H	H	H	H	H	H	H	H	4

H; high level, L; low level, X; irrelevant

- Notes:
1. The blanking input (BI) must be open or held at a high-logic level when output functions 0 through 15 are desired.
 2. When a low logic level is applied directly to the blanking input.
 3. When ripple-blanking input (RBI) and inputs A, B, C, and D

are at a low level with the lamp-test input high, all segment outputs go low and the ripple-blanking output (RBO) goes to a low level (response condition).

4. When a blanking input/ripple blanking output (BI/RBO) is open or held high and a low is applied to the lamp-test input, all segment outputs are high.

ELECTRICAL CHARACTERISTICS ($T_a = -20 \sim +75^\circ\text{C}$)

Item	Symbol	Test Conditions	min	typ*	max	Unit		
Input voltage	V_{IH}		2.0	—	—	V		
	V_{IL}		—	—	0.8	V		
Output voltage	a ~ g	$V_{CC} = 4.75\text{V}, V_{IH} = 2\text{V}$ $V_{IL} = 0.8\text{V}$	2.4	—	—	V		
	BI/RBO						$I_{OH} = -100\mu\text{A}$ $I_{OH} = -50\mu\text{A}$	
Output current**	a ~ g	$V_{CC} = 4.75\text{V}, V_O = 0.85\text{V}$	-1.3	—	—	mA		
Output voltage	a ~ g	$V_{CC} = 4.75\text{V}, V_{IH} = 2\text{V}$ $V_{IL} = 0.8\text{V}$	—	—	—	V		
	BI/RBO						$I_{OL} = 2\text{mA}$	0.4
							$I_{OL} = 6\text{mA}$	0.5
							$I_{OL} = 1.6\text{mA}$	0.4
						0.5		
Input current	except BI/RBO	$V_{CC} = 5.25\text{V}, V_I = 2.7\text{V}$	—	—	20	μA		
	except BI/RBO	$V_{CC} = 5.25\text{V}, V_I = 0.4\text{V}$	—	—	-0.4	mA		
	BI/RBO		—	—	-1.2			
	except BI/RBO	$V_{CC} = 5.25\text{V}, V_I = 7\text{V}$	—	—	0.1	mA		
Short-circuit output current	BI/RBO	$V_{CC} = 5.25\text{V}$	-0.3	—	-2	mA		
Supply current***	I_{CC}	$V_{CC} = 5.25\text{V}$	—	25	38	mA		
Input clamp voltage	V_{IK}	$V_{CC} = 4.75\text{V}, I_{IN} = -18\text{mA}$	—	—	-1.5	V		

* $V_{CC} = 5\text{V}, T_a = 25^\circ\text{C}$

** Input condition as for V_{OH}

*** I_{CC} is measured with all outputs open and all inputs at 4.5V.

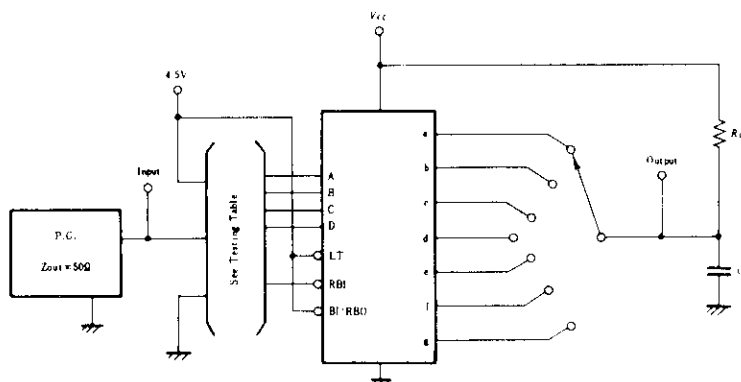
HD74LS248

SWITCHING CHARACTERISTICS ($V_{CC}=5V$, $T_a=25^{\circ}C$)

Item	Symbol	Input	Test Conditions	min	typ	max	Unit
Propagation delay time	t_{PLH}	A	$C_L = 15pF$, $R_L = 4k\Omega$	—	—	100	ns
	t_{PHL}			—	—	100	
	t_{PLH}	RBI	$C_L = 15pF$, $R_L = 6k\Omega$	—	—	100	ns
	t_{PHL}			—	—	100	

TESTING METHOD

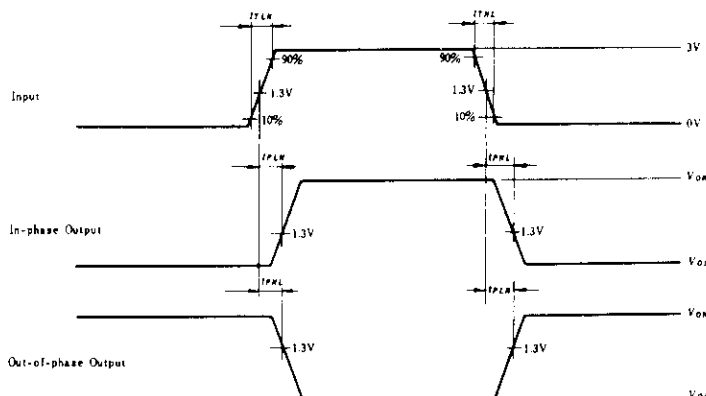
1) Test Circuit



2) Testing Table

Item	Inputs					Outputs						
	RBI	D	C	B	A	a	b	c	d	e	f	g
t_{PLH}	4.5V	GND	GND	GND	IN	OUT	—	—	OUT	OUT	OUT	—
	4.5V	GND	GND	4.5V	IN	—	—	OUT	—	OUT	—	—
t_{PHL}	4.5V	GND	4.5V	4.5V	IN	—	OUT	—	OUT	OUT	OUT	OUT
	IN	GND	GND	GND	GND	OUT	OUT	OUT	OUT	OUT	OUT	—

Waveform



- Notes) 1. Input pulse: $t_{TLH} \leq 15ns$, $t_{THL} \leq 6ns$, $PRR=1MHz$, duty cycle=50%
 2. C_L includes probe and jig capacitance.

HD74LS249 • BCD-to-Seven-Segment Decoders/Drivers (with open collector outputs)

The HD74LS249 is 16-pin versions of the HD74LS49, respectively. Included in the HD74LS249 circuits is the full functional capability for lamp test and ripple blanking, which is not available in the HD74LS circuits. The HD74LS49 composes the \bar{L} and \bar{S} without tails and the HD74LS249 composes the \bar{L} and \bar{S} with tails. Composition of all other characters, including display patterns for BCD inputs above nine, is identical. The HD74LS249 features active-low outputs designed for driving indicators directly. All of the circuits have full ripple-blanking input/output controls and a lamp test input. Segment identification and resultant displays are shown below. Display patterns for BCD input counts above 9 are unique symbols to authenticate input conditions. This circuit incorporates automatic leading and/or trailing-edge zero-blanking control (RBI and RBO).

Lamp test (LT) of this type may be performed at any time when the BI/RBO node is at a high level. This type contains an overriding blanking input (BI) which can be used to control the lamp intensity by pulsing or to inhibit the outputs.

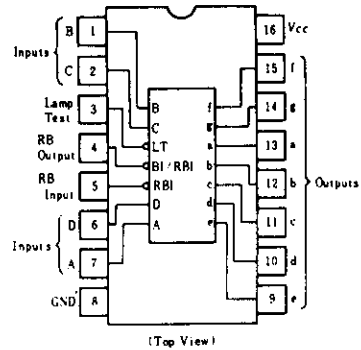
■ ABSOLUTE MAXIMUM RATINGS

Item	Symbol	Rating	Unit
Supply voltage	V_{CC}	7.0	V
Input voltage	V_{IN}	7.0	V
Output current (off-state)	$I_{O(off)}$	1	mA
Operating temperature range	T_{opr}	-20 ~ +75	°C
Storage temperature range	T_{stg}	-65 ~ +150	°C

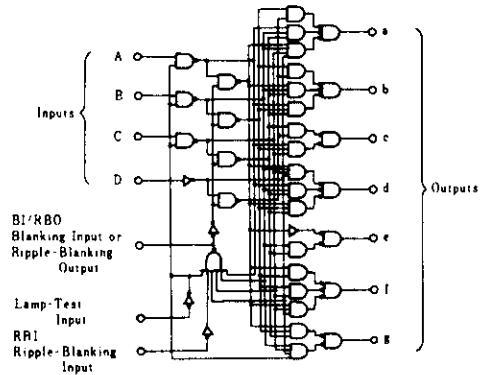
■ RECOMMENDED OPERATING CONDITIONS

Item	Symbol	min	typ	max	Unit
Output voltage	a~g	-	-	5.5	V
	BI/RBO	-	-	-50	μ A
Output current	a~g	-	-	8	mA
	BI/RBO	-	-	3.2	

■ PIN ARRANGEMENT



■ BLOCK DIAGRAM



HD74LS249

FUNCTION TABLE

Decimal or Function	Inputs						BI/RBO	Outputs							Note
	LT	RBI	D	C	B	A		a	b	c	d	e	f	g	
0	H	H	L	L	L	L	H	H	H	H	H	H	H	L	
1	H	X	L	L	L	H	H	L	H	H	L	L	L	L	
2	H	X	L	L	H	L	H	H	H	L	H	H	L	H	
3	H	X	L	L	H	H	H	H	H	H	H	L	L	H	
4	H	X	L	H	L	L	H	L	H	H	L	L	H	H	
5	H	X	L	H	L	H	H	H	L	H	H	L	H	H	
6	H	X	L	H	H	L	H	H	L	H	H	H	H	H	
7	H	X	L	H	H	H	H	H	H	H	L	L	L	L	
8	H	X	H	L	L	L	H	H	H	H	H	H	H	H	
9	H	X	H	L	L	H	H	H	H	H	H	L	H	H	
10	H	X	H	L	H	L	H	L	L	L	H	H	L	H	
11	H	X	H	L	H	H	H	L	L	H	H	L	L	H	
12	H	X	H	H	L	L	H	L	H	L	L	L	H	H	
13	H	X	H	H	L	H	H	H	L	L	H	L	H	H	
14	H	X	H	H	H	L	H	L	L	L	H	H	H	H	
15	H	X	H	H	H	H	H	L	L	L	L	L	L	L	
BI	X	X	X	X	X	X	L	L	L	L	L	L	L	L	2
RBI	H	L	L	L	L	L	L	L	L	L	L	L	L	L	3
LT	L	X	X	X	X	X	H	H	H	H	H	H	H	H	4

H; high level, L; low level, X; irrelevant

- Notes: 1. The blanking input (BI) must be open or held at a high logic level when output functions 0 through 15 are desired.
 2. When a low logic level is applied directly to blanking input (BI), all segment outputs are low regardless of the level of any other input.

3. When ripple-blanking input (RBI) and inputs A, B, C, and D are at a low level with the lamp-test input high, all segment outputs go low and the ripple-blanking output (RBO) goes to a low level (response condition).
 4. When a blanking input/ripple blanking output (BI/RBO) is open or held high and a low is applied to the lamp-test input, all segment outputs are high.

ELECTRICAL CHARACTERISTICS ($T_a = -20 \sim +75^\circ\text{C}$)

Item	Symbol	Test Conditions	min	typ*	max	Unit	
Input voltage	V_{IH}		2.0	--	--	V	
	V_{IL}		--	--	0.8	V	
Output voltage	BI/RBO	V_{OH} $V_{CC}=4.75\text{V}$, $V_{IH}=2\text{V}$, $V_{IL}=0.8\text{V}$, $I_{OH}=-50\mu\text{A}$	2.4	--	--	V	
Output current	a~g	I_{OH} $V_{CC}=4.75\text{V}$, $V_{IH}=2\text{V}$, $V_{IL}=0.8\text{V}$, $V_{OH}=5.5\text{V}$	--	--	250	μA	
Output voltage	BI/RBO	V_{OL} $V_{CC}=4.75\text{V}$, $V_{IH}=2\text{V}$, $V_{IL}=0.8\text{V}$	$I_{OL}=1.6\text{mA}$	--	--	0.4	V
			$I_{OL}=3.2\text{mA}$	--	--	0.5	
	a~g	$V_{CC}=4.75\text{V}$, $V_{IH}=2\text{V}$, $V_{IL}=0.8\text{V}$	$I_{OL}=4\text{mA}$	--	--	0.4	
			$I_{OL}=8\text{mA}$	--	--	0.5	
Input current	except BI/RBO	I_{IH} $V_{CC}=5.25\text{V}$, $V_I=2.7\text{V}$	--	--	20	μA	
	except BI/RBO	I_{IL} $V_{CC}=5.25\text{V}$, $V_I=0.4\text{V}$	--	--	-0.4	mA	
	BI/RBO		--	--	-1.2		
	except BI/RBO	I_I $V_{CC}=5.25\text{V}$, $V_I=7\text{V}$	--	--	0.1	mA	
Short-circuit output current	BI/RBO	I_{OS} $V_{CC}=5.25\text{V}$	-0.3	--	-2	mA	
Supply current**	I_{CC}	$V_{CC}=5.25\text{V}$	--	8	15	mA	
Input clamp voltage	V_{IK}	$V_{CC}=4.75\text{V}$, $I_{IN}=-18\text{mA}$	--	--	-1.5	V	

* $V_{CC}=5\text{V}$, $T_a=25^\circ\text{C}$

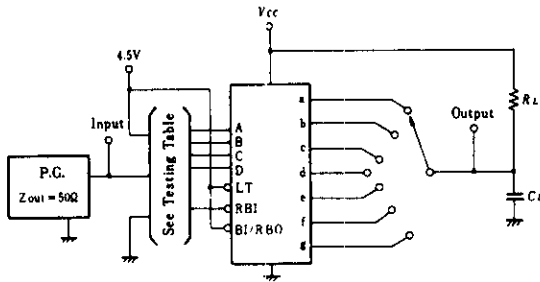
** I_{CC} is measured with all outputs open and all inputs at 4.5V.

■ SWITCHING CHARACTERISTICS ($V_{CC}=5V, T_a=25^{\circ}C$)

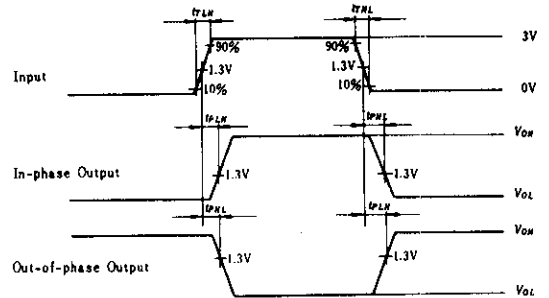
Item	Symbol	Input	Test Conditions	min	typ	max	Unit
Propagation delay time	t_{PLH}	A	$C_L=15pF$	—	—	100	ns
	t_{PHL}		$R_L=2k\Omega$	—	—	100	
	t_{PLH}	RBI	$C_L=15pF$	—	—	100	ns
	t_{PHL}		$R_L=6k\Omega$	—	—	100	

■ TESTING METHOD

1) Test Circuit



Waveform



2) Testing Table

Item	Inputs					Outputs						
	RBI	D	C	B	A	a	b	c	d	e	f	g
	4.5V	GND	GND	GND	IN	OUT	—	—	OUT	OUT	OUT	—
t_{PLH}	4.5V	GND	GND	4.5V	IN	—	—	OUT	—	OUT	—	—
t_{PHL}	4.5V	GND	4.5V	4.5V	IN	—	OUT	—	OUT	OUT	OUT	OUT
	IN	GND	GND	GND	GND	OUT	OUT	OUT	OUT	OUT	OUT	—

- Notes) 1. Input pulse: $t_{TLH} \leq 15ns, t_{THL} \leq 6ns, PRR=1MHz, \text{duty cycle}=50\%$.
 2. C_L includes probe and jig capacitance.

HD74LS251 •1 of 8 Data Selectors/Multiplexers(with strobe and three-state outputs)

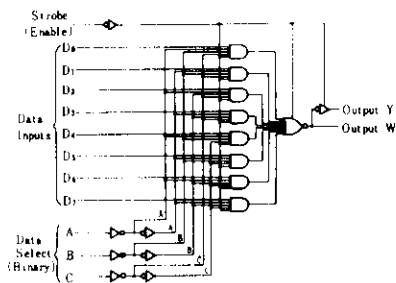
This data selector/multiplexer contains full on-chip binary decoding to select one-of-eight data sources and features a strobe-controlled 3-state output.

The strobe must be at a low logic level to enable this device. The 3-state outputs permit a number of outputs to be connected to a common bus.

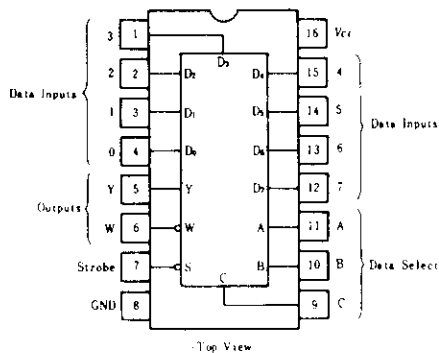
When the strobe input is high, both outputs are in a high-impedance state in which both the upper and lower transistors of each totem-pole output are off, and the output neither drives nor loads the bus significantly. When the strobe is low, the outputs are activated and operate as standard TTL totem-pole outputs.

To minimize the possibility that two outputs will attempt to take a common bus to opposite logic levels, the output control circuitry is designed so that the average output disable time is shorter than the average output enable time.

■ BLOCK DIAGRAM



■ PIN ARRANGEMENT



■ ABSOLUTE MAXIMUM RATINGS

Item	Symbol	Ratings	Unit
Supply voltage	V_{CC}	7.0	V
Input voltage	V_{IN}	7.0	V
Output voltage (off-state)	$V_{O(off)}$	5.5	V
Operating temperature range	T_{opr}	-20 ~ +75	°C
Storage temperature range	T_{stg}	-65 ~ +150	°C

■ FUNCTION TABLE

Inputs				Outputs	
SELECT			STROBE	Y	W
C	B	A	S		
X	X	X	H	Z	Z
L	L	L	L	D ₀	\bar{D}_0
L	L	H	L	D ₁	\bar{D}_1
L	H	L	L	D ₂	\bar{D}_2
L	H	H	L	D ₃	\bar{D}_3
H	L	L	L	D ₄	\bar{D}_4
H	L	H	L	D ₅	\bar{D}_5
H	H	L	L	D ₆	\bar{D}_6
H	H	H	L	D ₇	\bar{D}_7

- Notes) 1. H; high level, L; low level, X; irrelevant
 2. Z; high impedance (off-state)
 3. D₀ through D₇; the level of the respective D input.

■ ELECTRICAL CHARACTERISTICS ($T_a = -20 \sim +75^\circ\text{C}$)

Item	Symbol	Test Conditions	min	typ*	max	Unit
Input voltage	V_{IH}		2.0	—	—	V
	V_{IL}		—	—	0.8	V
Output voltage	V_{OH}	$V_{CC}=4.75\text{V}, V_{IH}=2\text{V}, V_{IL}=0.8\text{V}, I_{OH}=-2.6\text{mA}$	2.4	—	—	V
	V_{OL}	$V_{CC}=4.75\text{V}, V_{IH}=2\text{V}, V_{IL}=0.8\text{V}$	—	—	0.4	V
Input current	I_{IH}	$V_{CC}=5.25\text{V}, V_I=2.7\text{V}$	—	—	20	μA
	I_{IL}	$V_{CC}=5.25\text{V}, V_I=0.4\text{V}$	—	—	-0.4	mA
	I_I	$V_{CC}=5.25\text{V}, V_I=7\text{V}$	—	—	0.1	mA
Output current	I_{OZ}	$V_{O}=2.7\text{V}$	—	—	20	μA
		$V_{O}=0.4\text{V}$	—	—	-20	μA
Short-circuit output current	I_{OS}	$V_{CC}=5.25\text{V}$	-30	—	-130	mA
Supply current**	I_{CC}	Condition A	—	6.1	10	mA
		Condition B	—	7.1	12	mA
Input clamp voltage	V_{IK}	$V_{CC}=4.75\text{V}, I_{IH}=-18\text{mA}$	—	—	-1.5	V

* $V_{CC}=5\text{V}, T_a=25^\circ\text{C}$

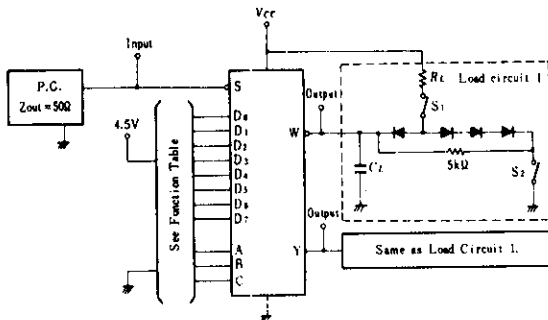
** I_{CC} is measured with the outputs open and all data and select inputs at 4.5V under the following conditions:
 A. Strobe grounded, B. Strobe at 4.5V

SWITCHING CHARACTERISTICS ($V_{CC}=5V$, $T_a=25^\circ C$)

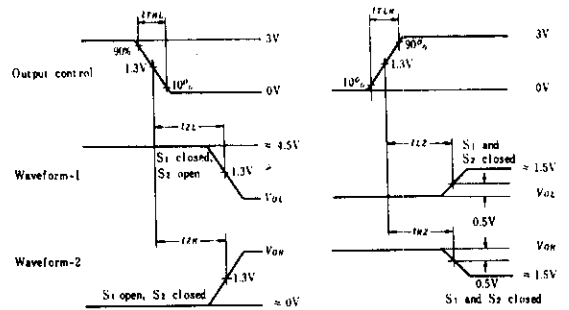
Item	Inputs	Outputs	Symbol	Test Conditions	min	typ	max	Unit
Propagation delay time	A, B, C (4 level)	Y	t_{PLH}	$C_L = 15pF$ $R_L = 2k\Omega$	—	29	45	ns
			t_{PHL}		—	28	45	
	A, B, C (3 level)	W	t_{PLH}		—	20	33	
			t_{PHL}		—	21	33	
	Data	Y	t_{PLH}		—	17	28	
			t_{PHL}		—	18	28	
Data	W	t_{PLH}	—	10	15			
		t_{PHL}	—	9	15			
Output enable time	Strobe	Y	t_{ZH}	$C_L = 5pF$ $R_L = 2k\Omega$	—	30	45	ns
			t_{ZL}		—	26	40	
	Strobe	W	t_{ZH}		—	17	27	
			t_{ZL}		—	24	40	
Output disable time	Strobe	Y	t_{HZ}	$C_L = 5pF$ $R_L = 2k\Omega$	—	30	45	ns
			t_{LZ}		—	15	25	
	Strobe	W	t_{HZ}		—	37	55	
			t_{LZ}		—	15	25	

TESTING METHOD

1) Test Circuit



Waveform



- Notes)
1. Input pulse: $t_{TLH} \leq 15ns$, $t_{THL} \leq 6ns$, $PRR=1MHz$, duty cycle = 50%.
 2. C_L includes probe and jig capacitance.
 3. All diodes are 1S2074 $\text{\textcircled{R}}$.
 4. Waveform-1 is for an output with internal conditions such that the output is low except when disabled by the output control.
 5. Waveform-2 is for an output with internal conditions such that the output is high except when disabled by the output control.

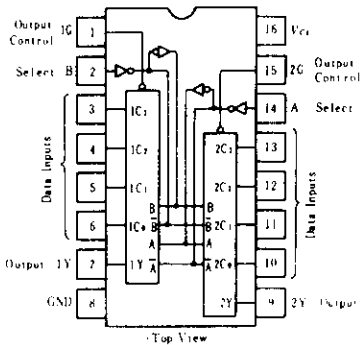
HD74LS253

●Dual 4-line-to-1-line Data Selectors/Multiplexers (with three-state outputs)

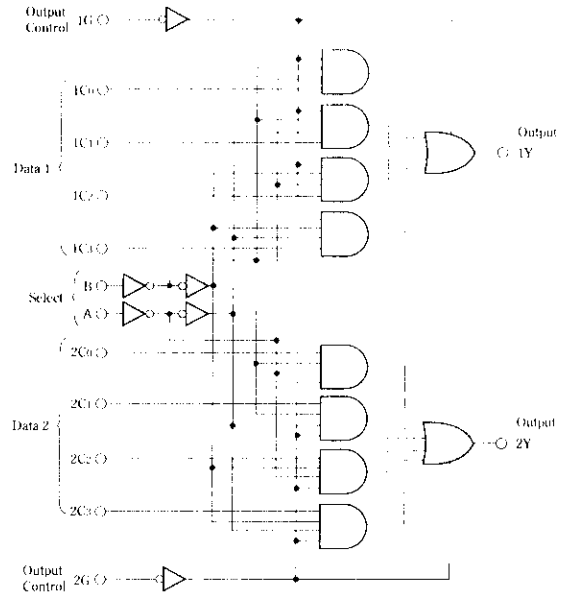
This data selector/multiplexer contains inverters and drivers to supply fully complementary, on-chip, binary decoding data selection to AND-OR gates.

Separate output control inputs are provided for each of the two four-line sections. The three-state outputs can interface with and drive data lines of bus-organized systems. With all but one of the common outputs disabled (at high-impedance state) the low-impedance of the single enabled output will drive the bus line to a high or low logic level.

■PIN ARRANGEMENT



■BLOCK DIAGRAM



■FUNCTION TABLE

Select inputs		Data inputs				Output control	Output
B	A	C ₀	C ₁	C ₂	C ₃	G	Y
X	X	X	X	X	X	H	Z
L	L	L	X	X	X	L	L
L	L	H	X	X	X	L	H
L	H	X	L	X	X	L	L
L	H	X	H	X	X	L	H
H	L	X	X	L	X	L	L
H	L	X	X	H	X	L	H
H	H	X	X	X	L	L	L
H	H	X	X	X	H	L	H

- Notes) 1. H; high level, L; low level, X; irrelevant
 2. Address inputs A and B are common to both sections.

■ABSOLUTE MAXIMUM RATINGS

Item	Symbol	Rating	Unit
Supply voltage	V_{CC}	7.0	V
Input voltage	V_{IN}	7.0	V
Output voltage (off-state)	$V_{O(off)}$	5.5	V
Operating temperature range	T_{opr}	-20 ~ +75	°C
Storage temperature range	T_{str}	-65 ~ +150	°C

■ ELECTRICAL CHARACTERISTICS ($T_a = -20 \sim +75^\circ\text{C}$)

Item	Symbol	Test Conditions	min	typ*	max	Unit	
Input voltage	V_{IH}		2.0	—	—	V	
	V_{IL}		—	—	0.8	V	
Output voltage	V_{OH}	$V_{CC}=4.75\text{V}$, $V_{IH}=2\text{V}$, $V_{IL}=0.8\text{V}$, $I_{OH}=-2.6\text{mA}$	2.4	—	—	V	
	V_{OL}	$V_{CC}=4.75\text{V}$, $V_{IH}=2\text{V}$, $V_{IL}=0.8\text{V}$	—	—	0.4	V	
		$I_{OL}=4\text{mA}$	—	—	0.5		
Input current	I_{IH}	$V_{CC}=5.25\text{V}$, $V_I=2.7\text{V}$	—	—	20	μA	
	I_{IL}	$V_{CC}=5.25\text{V}$, $V_I=0.4\text{V}$	—	—	-0.4	mA	
	I_I	$V_{CC}=5.25\text{V}$, $V_I=7\text{V}$	—	—	0.1	mA	
Output current	I_{OZ}	$V_{CC}=5.25\text{V}$, $V_{IH}=2\text{V}$	$V_O=2.7\text{V}$	—	—	20	μA
			$V_O=0.4\text{V}$	—	—	-20	
Short-circuit output current	I_{OS}	$V_{CC}=5.25\text{V}$	-30	—	-130	mA	
Supply current**	I_{CC}	$V_{CC}=5.25\text{V}$	ConditionA	—	7	12	mA
			ConditionB	—	8.5	14	
Input clamp voltage	V_{IK}	$V_{CC}=4.75\text{V}$, $I_{IN}=-18\text{mA}$	—	—	-1.5	V	

* $V_{CC}=5\text{V}$, $T_a=25^\circ\text{C}$

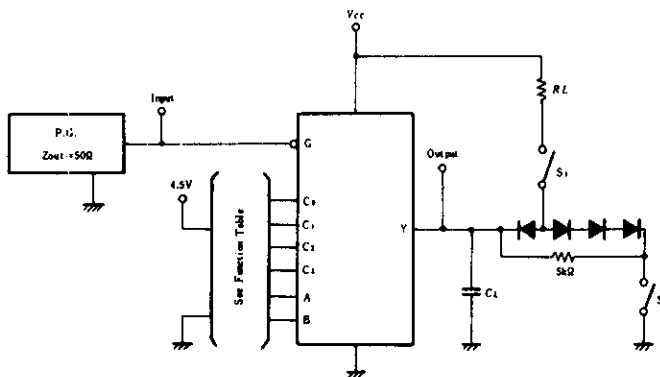
** I_{CC} is measured with the outputs open under the following conditions: A. All inputs grounded, B. Output control at 4.5V, all inputs grounded.

■ SWITCHING CHARACTERISTICS ($V_{CC}=5\text{V}$, $T_a=25^\circ\text{C}$)

Item	Inputs	Output	Symbol	Test Conditions	min	typ	max	Unit
Propagation delay time	Data	Y	t_{PLH}	$C_L=15\text{pF}$ $R_L=2\text{k}\Omega$	—	17	25	ns
			t_{PHL}		—	13	20	
	Select	Y	t_{PLH}		—	30	45	
			t_{PHL}		—	21	32	
Output enable time	Output Control	Y	t_{ZH}	$C_L=5\text{pF}$ $R_L=2\text{k}\Omega$	—	15	28	ns
			t_{ZL}		—	15	23	
Output disable time	Output Control	Y	t_{HZ}	$C_L=5\text{pF}$ $R_L=2\text{k}\Omega$	—	27	41	ns
			t_{LZ}		—	18	27	

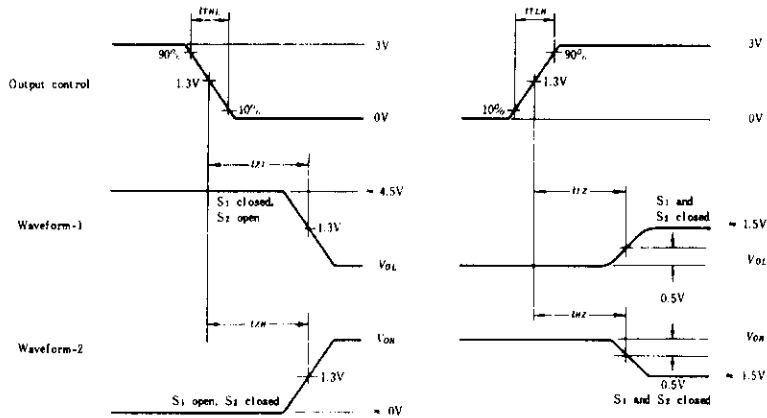
■ TESTING METHOD

1) Test Circuit



HD74LS253

Waveform



- Notes)
1. Input pulse: $t_{TLH} \leq 15\text{ns}$, $t_{THL} \leq 6\text{ns}$, $PRR = 1\text{MHz}$, duty cycle = 50%.
 2. C_L includes probe and jig capacitance.
 3. All diodes are 1S2074 (Ⓢ).
 4. Waveform-1 is for an output with internal conditions such that the output is low except when disabled by the output control.
 5. Waveform-2 is for an output with internal conditions such that the output is high except when disabled by the output control.

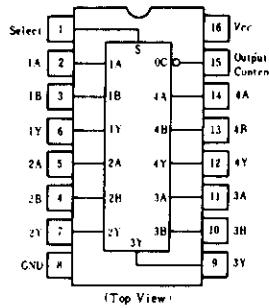
HD74LS257 • Quadruple 2-line-to-1-line Data Selectors/Multiplexers (with non inverted 3-state outputs)

This multiplexer features three-state outputs that can interface directly with and drive data lines of bus-organized systems. With all but one of the common outputs disabled (at a high-impedance state) the low impedance of the single enabled output will drive the bus line to a high or low logic level. To minimize the possibility that two outputs will attempt to take a common bus to opposite logic levels, the output-enable circuitry is designed such that the output disable times are shorter than the output enable times.

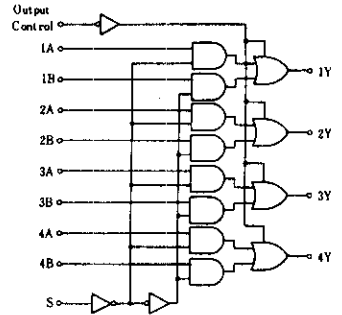
■ ABSOLUTE MAXIMUM RATINGS

Item	Symbol	Ratings	Unit
Supply voltage	V_{CC}	7.0	V
Input voltage	V_{IN}	7.0	V
Output voltage (off-state)	$V_{O(off)}$	5.5	V
Operating temperature range	T_{opr}	-20 ~ +75	°C
Storage temperature range	T_{stg}	-65 ~ +150	°C

■ PIN ARRANGEMENT



■ BLOCK DIAGRAM



■ FUNCTION TABLE

OC	Inputs			Outputs
	S	A	B	
H	X	X	X	Z
L	L	L	X	L
L	L	H	X	H
L	H	X	L	L
L	H	X	H	H

Note) H; high level, L; low level, X; irrelevant
Z; off (high-impedance) state of a 3-state output

■ ELECTRICAL CHARACTERISTICS ($T_a = -20 \sim +75^\circ\text{C}$)

Item	Symbol	Test Conditions	min	typ*	max	Unit	
Input voltage	V_{IH}		2.0	—	—	V	
	V_{IL}		—	—	0.8	V	
Output voltage	V_{OH}	$V_{CC}=4.75\text{V}, V_{IH}=2\text{V}, V_{IL}=0.8\text{V}, I_{OH}=-2.6\text{mA}$	2.4	—	—	V	
	V_{OL}	$V_{CC}=4.75\text{V}, V_{IH}=2\text{V}, V_{IL}=0.8\text{V}$	$I_{OL}=8\text{mA}$	—	—	0.5	V
			$I_{OL}=4\text{mA}$	—	—	0.4	
Input current	S	$V_{CC}=5.25\text{V}, V_I=2.7\text{V}$	—	—	40	μA	
	S except		—	—	20		
	S		$V_{CC}=5.25\text{V}, V_I=0.4\text{V}$	—	—	-0.8	mA
	S except			—	—	-0.4	
	S			$V_{CC}=5.25\text{V}, V_I=7\text{V}$	—	—	
S except	—	—	0.1				
Output current	I_{OZ}	$V_{CC}=5.25\text{V}, V_{IH}=2\text{V}$	$V_O=2.4\text{V}$	—	20	μA	
			$V_O=0.4\text{V}$	—	-20		
Short-circuit output current	I_{OS}	$V_{CC}=5.25\text{V}$	-30	—	-130	mA	
Supply current**	All outputs high	$V_{CC}=5.25\text{V}$	—	5.9	10	mA	
	All outputs low		—	9.2	16		
	All outputs off		—	10	19		
Input clamp voltage	V_{IK}	$V_{CC}=4.75\text{V}, I_{IN}=-18\text{mA}$	—	—	-1.5	V	

* $V_{CC}=5\text{V}, T_a=25^\circ\text{C}$

** I_{CC} is measured with all outputs open and all possible inputs grounded while achieving the stated output conditions.

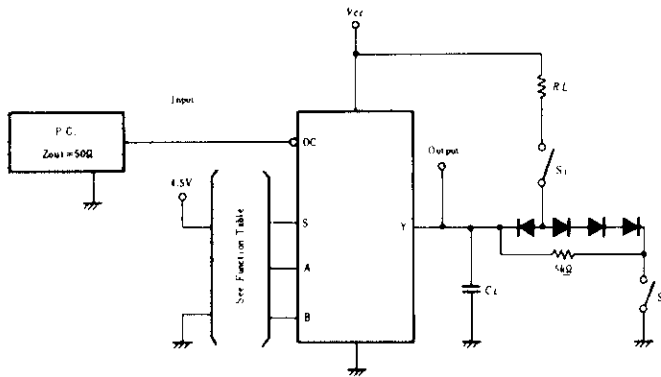
HD74LS257

SWITCHING CHARACTERISTICS ($V_{CC}=5V, T_a=25^{\circ}C$)

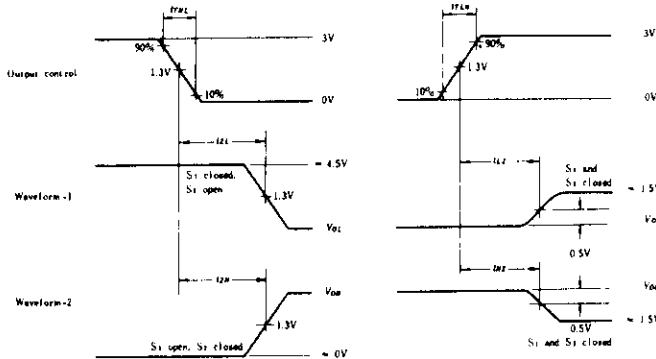
Item	Inputs	Output	Symbol	Test Conditions	min	typ	max	Unit
Propagation delay time	A, B	Y	t_{PLH}	$R_L = 2k\Omega$ $C_L = 15pF$	—	12	18	ns
			t_{PHL}		—	12	18	
	S	Y	t_{PLH}		—	14	21	ns
			t_{PHL}		—	14	21	
Output enable time	OC	Y	t_{ZH}	$R_L = 2k\Omega$ $C_L = 5pF$	—	20	30	ns
			t_{ZL}		—	20	30	
Output disable time	OC	Y	t_{HZ}	$R_L = 2k\Omega$ $C_L = 5pF$	—	18	30	ns
			t_{LZ}		—	16	25	

TESTING METHOD

1) Test Circuit



Waveform



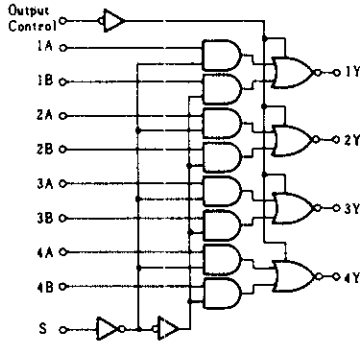
- Notes)
1. Input pulse: $t_{TLH} \leq 15ns, t_{THL} \leq 6ns, PRR=1MHz,$ duty cycle = 50%.
 2. C_L includes probe and jig capacitance.
 3. All diodes are 1S2074 \oplus .
 4. Waveform-1 is for an output with internal conditions such that the output is low except when disabled by the output control.
 5. Waveform-2 is for an output with internal conditions such that the output is high except when disabled by the output control.

HD74LS258 • Quadruple 2-line-to-1-line Data Selectors/Multiplexers (with three-state outputs)

This multiplexer features three-state outputs that can interface directly with and drive data lines of bus-organized systems. With all but one of the common outputs disabled (at a high-impedance state) the low impedance of the single enabled output will drive the bus line to a high or low logic level.

To minimize the possibility that two outputs will attempt to take a common bus to opposite logic levels, the output-enable circuitry is designed such that the output disable times are shorter than the output enable times.

■ BLOCK DIAGRAM



■ RECOMMENDED OPERATING CONDITIONS

Item	Symbol	min	typ	max	Unit
Output current	I_{OH}	—	—	-2.6	mA
	I_{OL}	—	—	8	mA

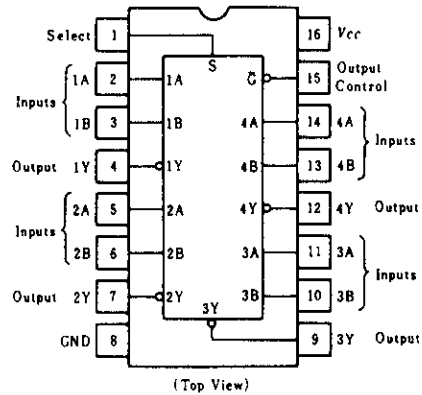
■ ELECTRICAL CHARACTERISTICS ($T_a = -20 \sim +75^\circ\text{C}$)

Item	Symbol	Test Conditions	min	typ*	max	Unit	
Input voltage	V_{IH}		2.0	—	—	V	
	V_{IL}		—	—	0.8	V	
Output voltage	V_{OH}	$V_{CC} = 4.75\text{V}, V_{IH} = 2\text{V}, V_{IL} = 0.8\text{V}, I_{OH} = -2.6\text{mA}$	2.4	—	—	V	
	V_{OL}	$V_{CC} = 4.75\text{V}, V_{IH} = 2\text{V}, V_{IL} = 0.8\text{V}$	$I_{OL} = 4\text{mA}$	—	—	0.4	V
			$I_{OL} = 8\text{mA}$	—	—	0.5	V
Output current	I_{OZH}	$V_{CC} = 5.25\text{V}, V_{IH} = 2\text{V}, V_O = 2.4\text{V}$	—	—	20	μA	
	I_{OZL}	$V_{CC} = 5.25\text{V}, V_{IH} = 2\text{V}, V_O = 0.4\text{V}$	—	—	-20	μA	
Input current	S	I_{IH}	$V_{CC} = 5.25\text{V}, V_I = 2.7\text{V}$	—	—	40	μA
				—	—	20	μA
	except S	I_{IL}	$V_{CC} = 5.25\text{V}, V_I = 0.4\text{V}$	—	—	-0.8	mA
				—	—	-0.4	mA
S	I_I	$V_{CC} = 5.25\text{V}, V_I = 7\text{V}$	—	—	0.2	mA	
			—	—	0.1	mA	
Short-circuit output current	I_{OS}	$V_{CC} = 5.25\text{V}$	-30	—	-130	mA	
Supply current	All outputs high	I_{CC}	$V_{CC} = 5.25\text{V}$	—	—	7	mA
	All outputs low			—	—	11	mA
	All outputs off			—	—	12	mA
Input clamp voltage	V_{IK}	$V_{CC} = 4.75\text{V}, I_{IN} = -18\text{mA}$	—	—	-1.5	V	

* $V_{CC} = 5\text{V}, T_a = 25^\circ\text{C}$

** I_{CC} is measured with all outputs open and all possible inputs grounded while achieving the stated output conditions.

■ PIN ARRANGEMENT



■ FUNCTION TABLE

Input				Output
OC	S	A	B	Y
H	X	X	X	Z
L	L	L	X	H
L	L	H	X	L
L	H	X	L	H
L	H	X	H	L

Note) H; high level, L; low level, X; irrelevant
Z; off (high-impedance) state of a 3-state output

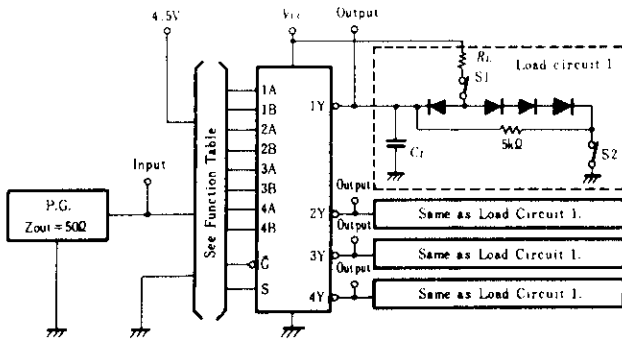
HD74LS258

SWITCHING CHARACTERISTICS ($V_{CC}=5V$, $T_a=25^\circ C$)

Item	Symbol	Input	Output	Test Conditions	min	typ	max	Unit
Propagation delay time	t_{PLH}	A, B	Y	$R_L = 2k\Omega$ $C_L = 15pF$	—	12	18	ns
	t_{PHL}				—	12	18	ns
	t_{PLH}	S	Y		—	14	21	ns
	t_{PHL}				—	14	21	ns
Output enable time	t_{ZH}	OUTPUT CONTROL	Y		—	20	30	ns
	t_{ZL}	CONTROL			—	20	30	ns
Output disable time	t_{HZ}	OUTPUT CONTROL	Y	$R_L = 2k\Omega$ $C_L = 5pF$	—	18	30	ns
	t_{LZ}	CONTROL			—	16	25	ns

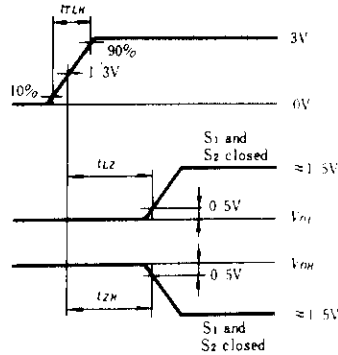
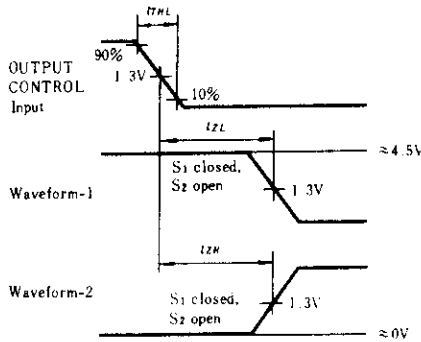
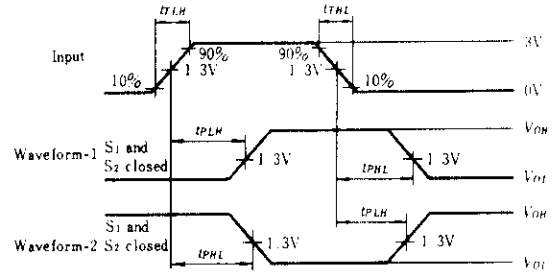
TESTING METHOD

1) Test Circuit



- Notes) 1. C_L includes probe and jig capacitance.
2. All diodes are 1S2074 (H).

Waveform



- Notes) 1. Input pulse: $t_{TLH} \leq 15ns$, $t_{THL} \leq 6ns$, $PRR=1MHz$, duty cycle=50%
2. Waveform-1 is for an output with internal conditions such that the output is low except when disabled by the output control.
3. Waveform-2 is for an output with internal conditions such that the output is high except when disabled by the output control.

HD74LS259 ● 8-bit Addressable Latches

This 8-bit addressable latch is designed for general purpose storage applications in digital systems. Specific uses include working registers, serial-holding registers, and active-high decoders or demultiplexers. This is multifunctional device capable of storing single-line data in eight addressable latches, and being a 1-of-8 decoder or demultiplexer with active-high outputs.

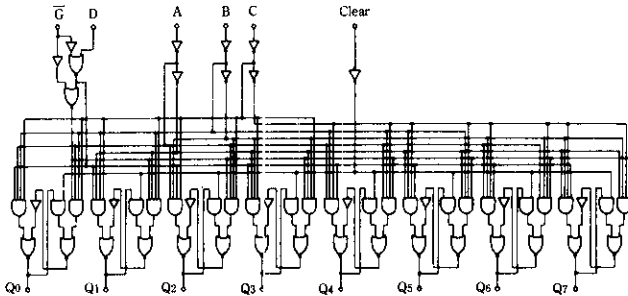
Four distinct modes of operation are selectable by controlling the clear and enable inputs: as enumerated in the function table. In the addressable-latch mode, data at the data-in terminal is written into the addressed latch.

The addressed latch will follow the data input with all unaddressed latches remaining in their previous states. In the memory mode, latch remains in their previous states and is unaffected by the data or address inputs.

To eliminate the possibility of entering erroneous data in the latch, the enable should be held high (inactive) while the address lines are changing.

In the clear mode, all outputs are low and unaffected by the address and data inputs.

■ BLOCK DIAGRAM

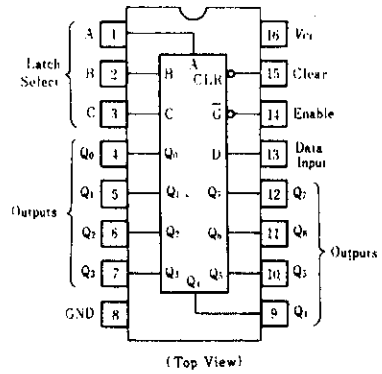


■ RECOMMENDED OPERATING CONDITIONS

Item	Symbol	min	typ	max	Unit
Pulse width	t_w	15	—	—	ns
Setup time	Data	20 †	—	—	ns
	Address	20 †	—	—	
Hold time	Data	0 †	—	—	ns
	Address	0 †	—	—	

†; The arrow indicates that the rising edge of the enable pulse is used for reference.

■ PIN ARRANGEMENT



■ FUNCTION TABLE

Input		Output of addressed latch	Each other output	Function
CLR	G-bar			
H	L	D	Q _{io}	Addressable latch
H	H	Q _{io}	Q _{io}	Memory
L	L	D	L	8-line demultiplexer
L	H	L	L	Clear

Select inputs			Latch addressed
C	B	A	
L	L	L	0
L	L	H	1
L	H	L	2
L	H	H	3
H	L	L	4
H	L	H	5
H	H	L	6
H	H	H	7

- Notes) 1. H; high level, L; low level
 2. D; the level at the data input
 3. Q_{io}; the level of Q_i (i=0, 1, ..., 7, as appropriate) before the indicated steady-state input conditions were established.

HD74LS259

■ ELECTRICAL CHARACTERISTICS ($T_a = -20 \sim +75^\circ\text{C}$)

Item	Symbol	Test Conditions	min	typ*	max	Unit
Input voltage	V_{IH}		2	--	--	V
	V_{IL}		--	--	0.8	V
Output voltage	V_{OH}	$V_{CC} = 4.75\text{V}$, $V_{IH} = 2\text{V}$, $V_{IL} = 0.8\text{V}$, $I_{OH} = -400\mu\text{A}$	2.7	--	--	V
	V_{OL}	$V_{CC} = 4.75\text{V}$, $V_{IH} = 2\text{V}$, $V_{IL} = 0.8\text{V}$				
		$I_{OL} = 4\text{mA}$	--	--	0.4	V
		$I_{OL} = 8\text{mA}$	--	--	0.5	V
Input current	I_{IH}	$V_{CC} = 5.25\text{V}$, $V_i = 2.7\text{V}$	--	--	20	μA
	I_{IL}	$V_{CC} = 5.25\text{V}$, $V_i = 0.4\text{V}$	--	--	-0.4	mA
	I_i	$V_{CC} = 5.25\text{V}$, $V_i = 7\text{V}$	--	--	0.1	mA
Short-circuit output current	I_{OS}	$V_{CC} = 5.25\text{V}$	-20	--	-100	mA
Supply current**	I_{CC}	$V_{CC} = 5.25\text{V}$	--	22	36	mA
Input clamp voltage	V_{IK}	$V_{CC} = 4.75\text{V}$, $I_{IN} = -18\text{mA}$	--	--	-1.5	V

* $V_{CC} = 5\text{V}$, $T_a = 25^\circ\text{C}$

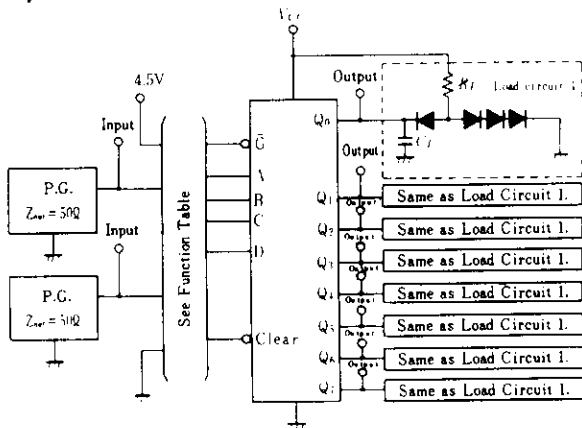
** I_{CC} is measured with all outputs open and all inputs grounded.

■ SWITCHING CHARACTERISTICS ($V_{CC} = 5\text{V}$, $T_a = 25^\circ\text{C}$)

Item	Symbol	Inputs	Output	Test Conditions	min	typ	max	Unit
Propagation delay time	t_{PHL}	Clear	$Q_0 \sim Q_7$	$C_L = 15\text{pF}$ $R_1 = 2\text{k}\Omega$	--	17	27	ns
	t_{PLH}	Data	$Q_0 \sim Q_7$		--	20	32	ns
	t_{PHL}				--	13	21	
	t_{PLH}	Address	$Q_0 \sim Q_7$		--	24	38	ns
	t_{PHL}				--	18	29	
	t_{PLH}	Enable	$Q_0 \sim Q_7$		--	22	35	ns
	t_{PHL}				--	15	24	

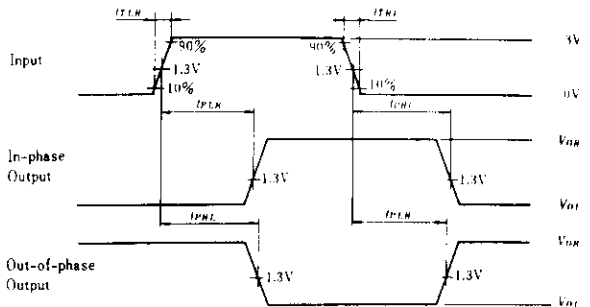
■ TESTING METHOD

1) Test Circuit



- Notes) 1. C_L includes probe and jig capacitance.
2. All diodes are 1S2074 (H).

Waveform

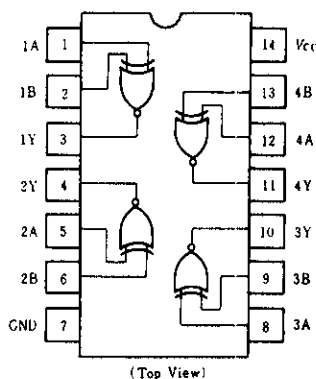


Input pulse: $t_{PLH} \leq 15\text{ns}$, $t_{PHL} \leq 6\text{ns}$, $PRR = 1\text{MHz}$
duty cycle 50%.

HD74LS266

● Quadruple 2-input Exclusive-NOR Gates
(with open collector outputs)

■ PIN ARRANGEMENT



■ FUNCTION TABLE

Inputs		Output
A	B	Y
L	L	H
L	H	L
H	L	L
H	H	H

H; high level, L; low level

■ RECOMMENDED OPERATING CONDITIONS

Item	Symbol	min	typ	max	Unit
High level output voltage	V_{OH}	—	—	5.5	V
Low level output current	I_{OL}	—	—	8	mA

■ ELECTRICAL CHARACTERISTICS ($T_a = -20 \sim +75^\circ\text{C}$)

Item	Symbol	Test Conditions	min	typ*	max	Unit	
Input voltage	V_{IH}		2.0	—	—	V	
	V_{IL}		—	—	0.8		
Output current	I_{OH}	$V_{CC}=4.75\text{V}, V_{IH}=2\text{V}, V_{IL}=0.8\text{V}, V_{OH}=5.5\text{V}$	—	—	100	μA	
Output voltage	V_{OL}	$V_{CC}=4.75\text{V}, V_{IH}=2\text{V}, V_{IL}=0.8\text{V}$	$I_{OL}=4\text{mA}$	—	—	0.4	V
			$I_{OL}=8\text{mA}$	—	—	0.5	
Input current	I_{IH}	$V_{CC}=5.25\text{V}, V_i=2.7\text{V}$	—	—	40	μA	
	I_{IL}	$V_{CC}=5.25\text{V}, V_i=0.4\text{V}$	—	—	-0.8	mA	
	I_i	$V_{CC}=5.25\text{V}, V_i=7\text{V}$	—	—	0.2	mA	
Supply current	I_{CC}^{**}	$V_{CC}=5.25\text{V}$	—	8	13	mA	
Input clamp voltage	V_{IK}	$V_{CC}=4.75\text{V}, I_{IH}=-18\text{mA}$	—	—	-1.5	V	

* $V_{CC}=5\text{V}, T_a=25^\circ\text{C}$

** I_{CC} is measured with one input of each gate at 4.5V, the other inputs grounded, and the outputs open.

■ SWITCHING CHARACTERISTICS ($V_{CC}=5\text{V}, T_a=25^\circ\text{C}$)

Item	Symbol	Inputs	Test Conditions	min	typ	max	Unit
Propagation delay time	t_{PLH}	A or B	$C_L=15\text{pF}$ $R_L=2\text{k}\Omega$	—	18	30	ns
	t_{PHL}			—	18	30	
	t_{PLH}	A or B		—	18	30	
	t_{PHL}			—	18	30	

Note) Refer to Test Circuit and Waveform of the Common Item

HD74LS273 ● Octal D-type Positive-edge-triggered Flip-Flops (with Clear)

The HD74LS273, positive-edge-triggered flip-flops utilize LS TTL circuitry to implement D-type flip-flop logic with a direct clear input.

Information at the D inputs meeting the setup time requirements is transferred to the Q outputs on the positive-going edge of the clock pulse.

Clock triggering occurs at a particular voltage level and is not directly related to the transition time of the positive-going pulse.

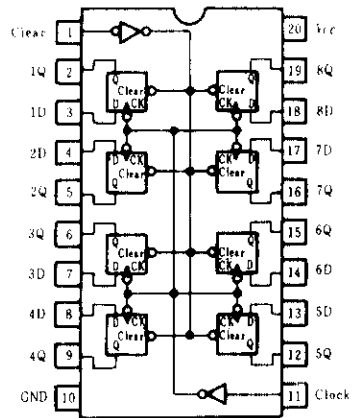
When the clock input is at either the high or low level, the D input signal has no effect at the output.

FUNCTION TABLE

Inputs			Output
Clear	Clock	D	Q
L	X	X	L
H	↑	H	H
H	↑	L	L
H	L	X	Q ₀

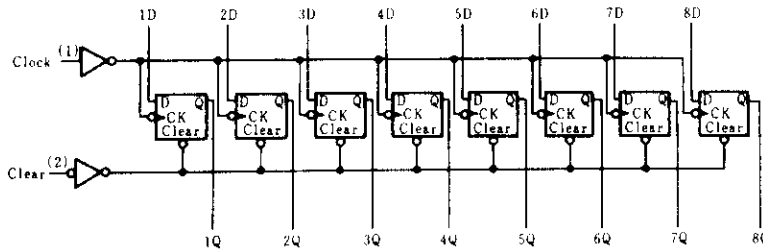
Notes: H = high level, L = low level,
 X = irrelevant
 † = transition from low to high level
 Q₀ = level of Q before the indicated steady-state input conditions were established.

PIN ARRANGEMENT



(Top View)

BLOCK DIAGRAM



RECOMMENDED OPERATING CONDITIONS

Item	Symbol	min	typ	max	Unit
Supply voltage	V_{CC}	4.75	5.00	5.25	V
Output current	I_{OH}	—	—	-400	μ A
	I_{OL}	—	—	8	mA
Clock frequency	f_{clock}	0	—	30	MHz
Clock and clear pulse width	t_w	20	—	—	ns
Setup time	Data	20 †	—	—	ns
	Clear inactive-state	25 †	—	—	
Data hold time	t_h	5 †	—	—	ns

Note) † : The arrow indicates the rising edge of clock pulse.

■ ELECTRICAL CHARACTERISTICS ($T_a = -20 \sim +75^\circ\text{C}$)

Item	Symbol	Test Conditions	min	typ*	max	Unit
Input voltage	V_{IH}		2.0	—	—	V
	V_{IL}		—	—	0.8	V
Output voltage	V_{OH}	$V_{CC}=4.75\text{V}, V_{IH}=2\text{V}, V_{IL}=0.8\text{V}, I_{OH}=-400\mu\text{A}$	2.7	—	—	V
	V_{OL}	$V_{CC}=4.75\text{V}, V_{IH}=2\text{V}, V_{IL}=0.8\text{V}$	—	—	0.5	V
Input current	I_I	$V_{CC}=5.25\text{V}, V_I=7\text{V}$	—	—	0.1	mA
	I_{IH}	$V_{CC}=5.25\text{V}, V_I=2.7\text{V}$	—	—	20	μA
	I_{IL}	$V_{CC}=5.25\text{V}, V_I=0.4\text{V}$	—	—	-0.4	mA
Short-circuit output current	I_{OS}	$V_{CC}=5.25\text{V}$	-20	—	-100	mA
Supply current	I_{CC}^{**}	$V_{CC}=5.25\text{V}$	—	17	27	mA
Input clamp voltage	V_{IK}	$V_{CC}=4.75\text{V}, I_{IN}=-18\text{mA}$	—	—	-1.5	V

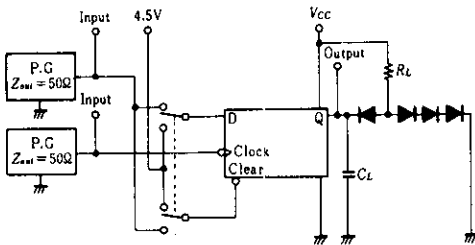
* $V_{CC}=5\text{V}, T_a=25^\circ\text{C}$

** : With all outputs open and 4.5V applied to all data and clear inputs, I_{CC} is measured after a momentary ground, then 4.5V is applied to clock.

■ SWITCHING CHARACTERISTICS ($V_{CC}=5\text{V}, T_a=25^\circ\text{C}$)

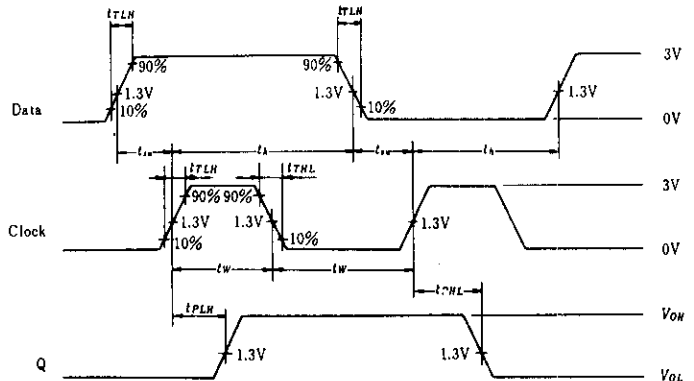
Item	Symbol	Inputs	Test Conditions	min	typ	max	Unit
Maximum clock frequency	f_{max}	Clock	$C_L=15\text{pF}, R_L=2\text{k}\Omega$	30	—	—	MHz
Propagation Delay Time	t_{PHL}	Clear		—	18	27	ns
	t_{PLH}	Clock		—	17	27	
	t_{PHL}			—	18	27	

■ TESTING METHOD



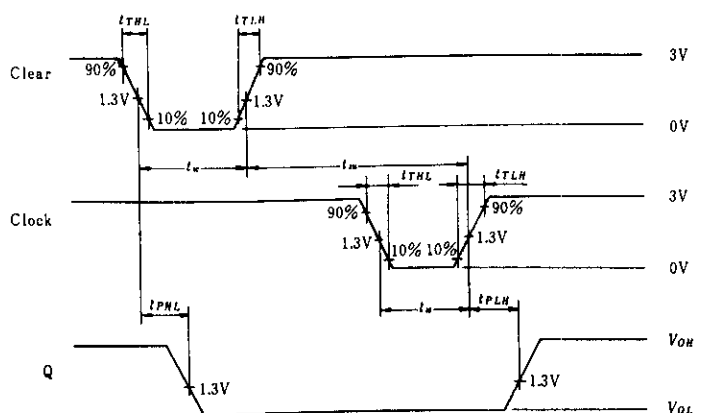
- Notes:
1. C_L includes probe and jig capacitance.
 2. All diodes are 1S2074 \oplus .

Waveform-1



- Notes:
1. Input pulse; $t_{TLH} \leq 15\text{ns}, t_{THL} \leq 6\text{ns}$
 Clock input; $PRR = 1\text{MHz}$, duty cycle 50%
 Data input; $PRR = 500\text{kHz}$, duty cycle 50%

Waveform-2

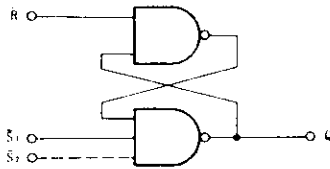


- Note: Input pulse; $t_{TLH} \leq 15\text{ns}, t_{THL} \leq 6\text{ns}, PRR = 1\text{MHz}$.

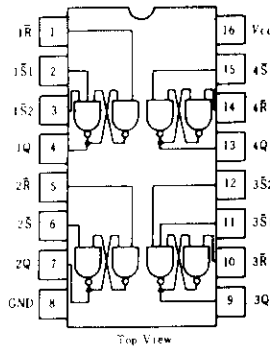
HD74LS279

● Quadruple \bar{S} - \bar{R} Latches

■ BLOCK DIAGRAM (1/4)



■ PIN ARRANGEMENT



■ FUNCTION TABLE

Inputs		Outputs
\bar{S}^{**}	R	Q
H	H	Q_0
L	H	H
H	L	L
L	L	H^*

- Notes)
1. H; high level, L; low level
 2. Q_0 : The level of Q before the indicated input conditions were established.
 3. *: This output level is psodo stable; that is, it may not persist when \bar{S} and \bar{R} inputs return to their inactive (high) level.
 4. **: For latches with double \bar{S} inputs: H; both \bar{S} inputs high, L; one or both \bar{S} inputs low.

■ ELECTRICAL CHARACTERISTICS ($T_a = -20 \sim +75^\circ\text{C}$)

Item	Symbol	Test Conditions	min	typ*	max	Unit	
Input voltage	V_{IH}		2.0	—	—	V	
	V_{IL}		—	—	0.8	V	
Output voltage	V_{OH}	$V_{CC} = 4.75\text{V}$, $V_{IH} = 2\text{V}$, $V_{IL} = 0.8\text{V}$, $I_{OH} = -400\mu\text{A}$	2.7	—	—	V	
	V_{OL}	$V_{CC} = 4.75\text{V}$, $V_{IH} = 2\text{V}$, $V_{IL} = 0.8\text{V}$	$I_{OL} = 4\text{mA}$	—	—	0.4	V
			$I_{OL} = 8\text{mA}$	—	—	0.5	
Input current	I_{IH}	$V_{CC} = 5.25\text{V}$, $V_I = 2.7\text{V}$	—	—	20	μA	
	I_{IL}	$V_{CC} = 5.25\text{V}$, $V_I = 0.4\text{V}$	—	—	-0.6	mA	
	I_I	$V_{CC} = 5.25\text{V}$, $V_I = 7\text{V}$	—	—	0.1	mA	
Short-circuit output current	I_{OS}	$V_{CC} = 5.25\text{V}$	-20	—	-100	mA	
Supply current**	I_{CC}	$V_{CC} = 5.25\text{V}$	—	3.8	7	mA	
Input clamp voltage	V_{IA}	$V_{CC} = 4.75\text{V}$, $I_{IS} = 18\text{mA}$	—	—	1.5	V	

* $V_{CC} = 5\text{V}$, $T_a = 25^\circ\text{C}$

** I_{CC} is measured with all \bar{R} inputs grounded, all \bar{S} inputs at 4.5V, and all outputs open.

■ SWITCHING CHARACTERISTICS ($V_{CC} = 5\text{V}$, $T_a = 25^\circ\text{C}$)

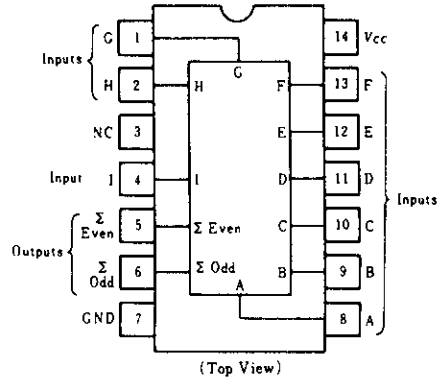
Item	Symbol	Inputs	Output	Test Conditions	min	typ	max	Unit
Propagation delay time	t_{PLH}	\bar{S}	Q	$C_L = 15\text{pF}$, $R_L = 2\text{k}\Omega$	—	12	22	ns
	t_{PNL}				—	13	21	ns
	t_{PHL}	\bar{R}			—	15	27	ns

Note) Refer to Test Circuit and Waveform of the Common Item

HD74LS280 ● 9-bit Odd/Even Parity Generators/Checkers

This parity generator/checker offers the designer a trade-off between reduced power consumption and high performance. Although the HD74LS280 is implemented without expander inputs, the corresponding function is provided by the availability of an input at pin 4 and the absence of any internal connection at pin 3.

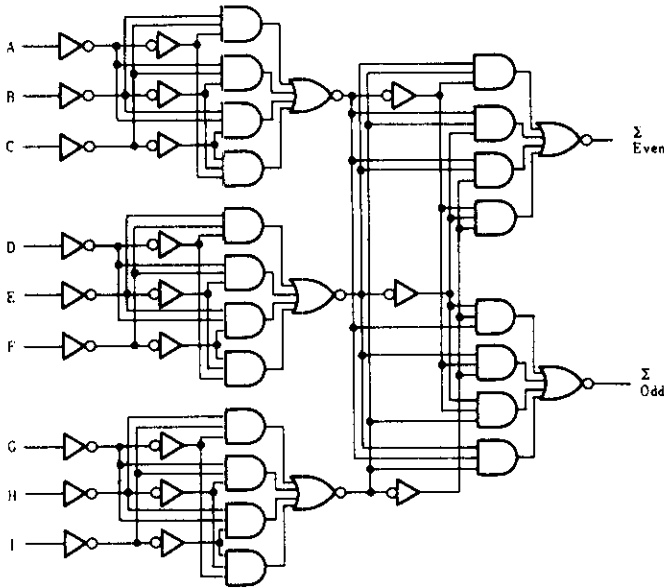
■ PIN ARRANGEMENT



■ FUNCTION TABLE

Number of inputs A through I that are high	Outputs	
	Σ Even	Σ Odd
0, 2, 4, 6, 8	H	L
1, 3, 5, 7, 9	L	H

■ BLOCK DIAGRAM



■ ELECTRICAL CHARACTERISTICS ($T_a = -20 \sim +75^\circ\text{C}$)

Item	Symbol	Test Conditions	min	typ*	max	Unit	
Input voltage	V_{IH}		2.0	—	—	V	
	V_{IL}		—	—	0.8	V	
Output voltage	V_{OH}	$V_{CC} = 4.75\text{V}$, $V_{IH} = 2\text{V}$, $V_{IL} = 0.8\text{V}$, $I_{OH} = -400\mu\text{A}$	2.7	—	—	V	
	V_{OL}	$V_{CC} = 4.75\text{V}$, $V_{IH} = 2\text{V}$, $V_{IL} = 0.8\text{V}$	$I_{OL} = 4\text{mA}$	—	—	0.4	V
			$I_{OL} = 8\text{mA}$	—	—	0.5	
Input current	I_{IN}	$V_{CC} = 5.25\text{V}$, $V_I = 2.7\text{V}$	—	—	20	μA	
	I_{IL}	$V_{CC} = 5.25\text{V}$, $V_I = 0.4\text{V}$	—	—	-0.4	mA	
	I_I	$V_{CC} = 5.25\text{V}$, $V_I = 7\text{V}$	—	—	0.1	mA	
Short-circuit output current	I_{OS}	$V_{CC} = 5.25\text{V}$	-20	—	-100	mA	
Supply current**	I_{CC}	$V_{CC} = 5.25\text{V}$	—	16	27	mA	
Input clamp voltage	V_{IK}	$V_{CC} = 4.75\text{V}$, $I_{IN} = -18\text{mA}$	—	—	-1.5	V	

* $V_{CC} = 5\text{V}$, $T_a = 25^\circ\text{C}$

** I_{CC} is measured with all outputs open and all inputs grounded.

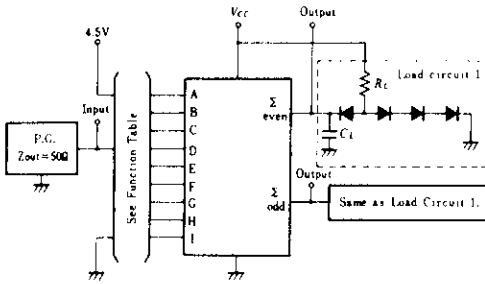
HD74LS280

SWITCHING CHARACTERISTICS ($V_{CC}=5V$, $T_a=25^\circ C$)

Item	Symbol	Outputs	Test Conditions	min	typ	max	Unit
Propagation delay time	t_{PLH}	Σ Even	$C_L=15pF$, $R_L=2k\Omega$	—	33	50	ns
	t_{PHL}			—	29	45	ns
	t_{PLH}	Σ Odd		—	23	45	ns
	t_{PHL}			—	31	50	ns

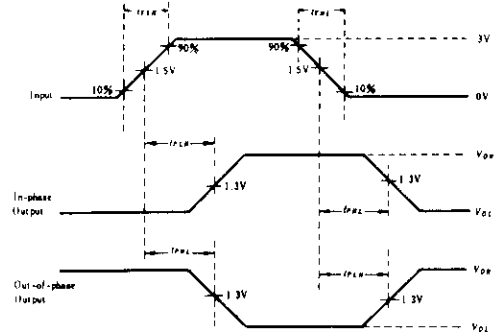
TESTING METHOD

1) Test circuit



- Notes) 1. C_L includes probe and jig capacitance.
2. All diodes are 1S2074 (H)

Waveform



Input pulse; $t_{TLH} \leq 15ns$, $t_{THL} \leq 6ns$,
 $PRR=1MHz$, duty cycle 50%.

HD74LS283

4-bit Binary Full Adders

The HD74LS283 adder is electrically and functionally identical to the HD74LS83A, respectively; only the arrangement of the terminals has been changed.

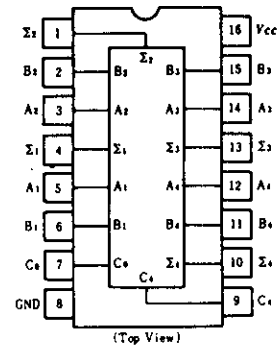
This improved full adder performs the addition of two 4-bit binary words.

The sum (Σ) outputs are provided for each bit and the resultant carry (C_4) is obtained from the fourth bit. This adder features full internal look-ahead across all four bits generating the carry term in then nanoseconds.

The adder logic, including the carry, is implemented in its true form.

End around carry can be accomplished without the need for logic or level inversion.

PIN ARRANGEMENT



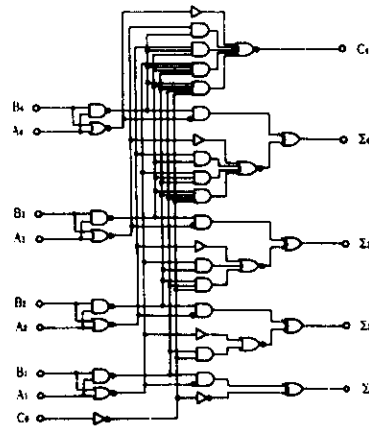
FUNCTION TABLE

Inputs				Outputs							
				When $C_0=L$		When $C_2=L$		When $C_3=H$		When $C_4=H$	
A_1	B_1	A_2	B_2	Σ_1	Σ_2	C_2	Σ_3	Σ_4	C_4		
L	L	L	L	L	L	L	H	L	L		
H	L	L	L	H	L	L	L	H	L		
L	H	L	L	H	L	L	L	H	L		
H	H	L	L	L	H	L	H	H	L		
L	L	H	L	L	H	L	H	H	L		
H	L	H	L	H	H	L	L	L	H		
L	H	H	L	H	H	L	L	L	H		
H	H	H	L	L	L	H	H	L	H		
L	L	L	H	L	H	L	H	H	L		
H	L	L	H	H	H	L	L	L	H		
L	H	L	H	H	H	L	L	L	H		
H	H	L	H	L	L	H	H	L	H		
L	L	H	H	L	L	H	H	L	H		
H	L	H	H	H	L	H	L	H	H		
L	H	H	H	H	L	H	L	H	H		
H	H	H	H	L	H	H	H	H	H		

H; high level, L; low level

Notes) Input conditions at $A_1, B_1, A_2, B_2,$ and C_0 are use to determine outputs Σ_1 and Σ_2 and the value of the internal carry C_2 . The values at $C_2, A_3, B_3, A_4,$ and B_4 are then used to determine outputs $\Sigma_3, \Sigma_4,$ and C_4 .

BLOCK DIAGRAM



HD74LS283

■ ELECTRICAL CHARACTERISTICS ($T_a = -20 \sim +75^\circ\text{C}$)

Item	Symbol	Test Conditions	min	typ*	max	Unit	
Input voltage	V_{IH}		2.0	—	—	V	
	V_{IL}		—	—	0.8	V	
Output voltage	V_{OH}	$V_{CC} = 4.75\text{V}$, $V_{IH} = 2\text{V}$, $V_{IL} = 0.8\text{V}$, $I_{OH} = -400\mu\text{A}$	2.7	—	—	V	
	V_{OL}	$V_{CC} = 4.75\text{V}$, $V_{IH} = 2\text{V}$, $V_{IL} = 0.8\text{V}$ $I_{OL} = 4\text{mA}$ $I_{OL} = 8\text{mA}$	—	—	0.4 0.5	V	
Input current	except C_0 C_0	I_{IH}	$V_{CC} = 5.25\text{V}$, $V_i = 2.7\text{V}$	—	—	40	μA
				—	—	20	
	except C_0 C_0	I_{IL}	$V_{CC} = 5.25\text{V}$, $V_i = 0.4\text{V}$	—	—	-0.8	mA
				—	—	-0.4	
except C_0 C_0	I_I	$V_{CC} = 5.25\text{V}$, $V_i = 7\text{V}$	—	—	0.2	mA	
			—	—	0.1		
Short-circuit output current	I_{OS}	$V_{CC} = 5.25\text{V}$	-20	—	-100	mA	
Supply current	I_{CC}	$V_{CC} = 5.25\text{V}$	All inputs grounded	—	22	39	mA
			All B low, other inputs at 4.5V	—	19	34	
			All inputs at 4.5V	—	19	34	
Input clamp voltage	V_{IK}	$V_{CC} = 4.75\text{V}$, $I_{IN} = -18\text{mA}$	—	—	-1.5	V	

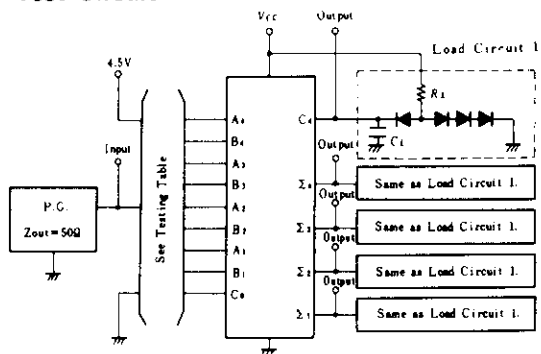
* $V_{CC} = 5\text{V}$, $T_a = 25^\circ\text{C}$

■ SWITCHING CHARACTERISTICS ($V_{CC} = 5\text{V}$, $T_a = 25^\circ\text{C}$)

Item	Symbol	Inputs	Outputs	Test Conditions	min	typ	max	Unit
Propagation delay time	t_{PLH}	C_0	Σ_i	$C_L = 15\text{pF}$, $R_L = 2\text{k}\Omega$	—	16	24	ns
	t_{PHL}				—	15	24	
	t_{PLH}	A_i, B_i	Σ_i		—	15	24	ns
	t_{PHL}				—	15	24	
	t_{PLH}	C_0	C_i		—	11	17	ns
	t_{PHL}				—	11	22	
	t_{PLH}	A_i, B_i	C_i		—	11	17	ns
	t_{PHL}				—	12	17	

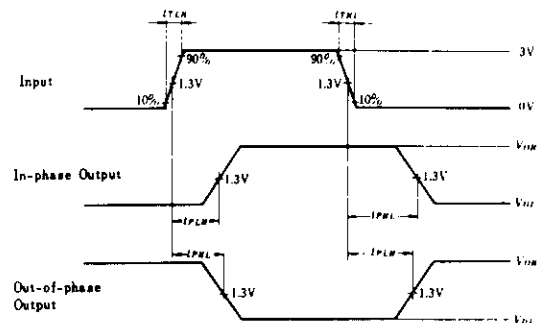
■ TESTING METHOD

1) Test Circuit



- Notes) 1. C_L includes probe and jig capacitance.
2. All diodes are 1S2074 (H).

Waveform



Input pulse; $t_{TLH} \leq 15\text{ns}$, $t_{THL} \leq 6\text{ns}$,
 $PRR = 1\text{MHz}$, duty cycle 50%.

2) Testing Table

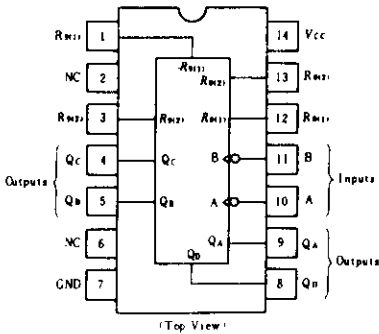
Item	From input to output	Inputs									Outputs						
		B ₄	A ₄	B ₃	A ₃	B ₂	A ₂	B ₁	A ₁	C ₀	C ₄	Σ ₄	Σ ₃	Σ ₂	Σ ₁		
	C ₀ → Σ _i or C ₄	GND	GND	GND	GND	GND	GND	GND	GND	GND	IN	—	—	—	—	OUT	
		GND	4.5V	GND	4.5V	GND	4.5V	GND	4.5V	GND	4.5V	IN	OUT	OUT	OUT	OUT	OUT
<i>t_{PLH}</i>	Ai or Bi → Σ _i or C ₄	GND	GND	GND	GND	GND	GND	GND	IN	IN	GND	—	—	—	—	OUT	
		GND	GND	GND	GND	GND	IN	IN	GND	GND	GND	—	—	—	OUT	—	
<i>t_{PHL}</i>	Ai or Bi → Σ _i or C ₄	GND	GND	IN	IN	GND	GND	GND	GND	GND	GND	—	—	OUT	—	—	
		GND	IN	GND	GND	GND	GND	GND	GND	GND	GND	—	OUT	—	—	—	
		GND	GND	GND	GND	GND	GND	4.5V	IN	IN	4.5V	GND	—	—	—	OUT	OUT
		GND	GND	GND	GND	4.5V	IN	IN	4.5V	GND	GND	GND	—	—	OUT	OUT	—
		GND	GND	4.5V	IN	IN	4.5V	GND	GND	GND	GND	—	OUT	OUT	—	—	
		4.5V	IN	GND	GND	GND	GND	GND	GND	GND	GND	OUT	OUT	—	—	—	
		IN	4.5V	GND	GND	GND	GND	GND	GND	GND	GND	OUT	OUT	—	—	—	

HD74LS290 • Decade Counters

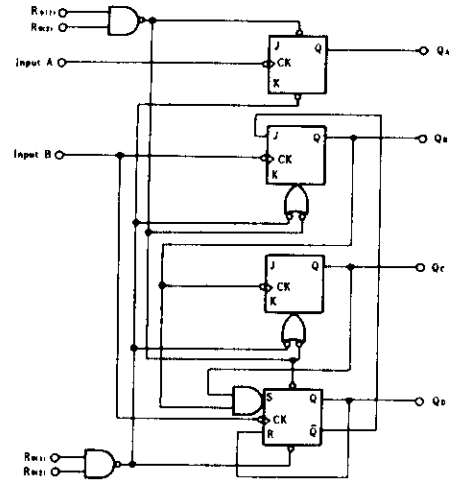
This counter contains four master-slave flip-flops and additional gating to provide a divide-by-two counter and divide-by-five counter.

The HD74LS290 also has gated set-to-nine inputs for use in BCD nine's complement applications. To use the maximum count length of this counter, the B input is connected to the Q_A output. The input count pulses are applied to input A and the outputs are as described in the appropriate function table. A symmetrical divide-by-ten count can be obtained from the HD74LS290 counter by connecting the Q_D output to the A input and applying the input count to the B input which gives a divide-by-ten square wave at output Q_A .

■ PIN ARRANGEMENT



■ BLOCK DIAGRAM



■ ABSOLUTE MAXIMUM RATINGS

Item	Symbol	Rating	Unit
Supply voltage	V_{CC}	7.0	V
Input voltage	R Inputs	7.0	V
	A, B Inputs	5.5	V
Operating temperature range	T_{op}	-20 ~ +75	°C
Storage temperature range	T_{stg}	-65 ~ +150	°C

■ FUNCTION TABLE

● Reset/Count

Reset Inputs				Outputs			
$R_{0(1)}$	$R_{0(2)}$	$R_{0(3)}$	$R_{0(4)}$	Q_D	Q_C	Q_B	Q_A
H	H	L	X	L	L	L	L
H	H	X	L	L	L	L	L
X	X	H	H	H	L	L	H
X	L	X	L	Count			
L	X	L	X	Count			
L	X	X	L	Count			
X	L	L	X	Count			

● BCD Count Sequence (Notes 1)

Count	Outputs			
	Q_D	Q_C	Q_B	Q_A
0	L	L	L	L
1	L	L	L	H
2	L	L	H	L
3	L	L	H	H
4	L	H	L	L
5	L	H	L	H
6	L	H	H	L
7	L	H	H	H
8	H	L	L	L
9	H	L	L	H

● Bi-Quinary Count Sequence (Notes 2)

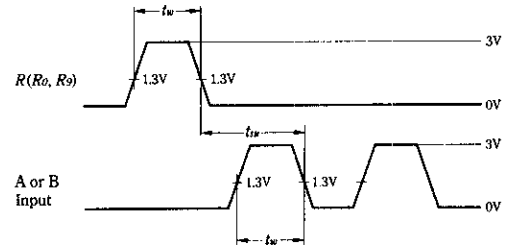
Count	Outputs			
	Q_A	Q_B	Q_C	Q_D
0	L	L	L	L
1	L	L	L	H
2	L	L	H	L
3	L	L	H	H
4	L	H	L	L
5	H	L	L	L
6	H	L	L	H
7	H	L	H	L
8	H	L	H	H
9	H	H	L	L

- Notes) 1. Output Q_A is connected to input B for BCD count.
 2. Output Q_D is connected to input A for bi-quinary count.
 3. H; high level, L; low level, X; irrelevant

RECOMMENDED OPERATING CONDITIONS

Item	Symbol	min	typ	max	Unit
Count frequency	A input	0	—	32	MHz
	B input	0	—	16	
Pulse width	A input	15	—	—	ns
	B input	30	—	—	
	Reset inputs	15	—	—	
Setup time	t_{su}	25	—	—	ns

TIMING DEFINITION



ELECTRICAL CHARACTERISTICS ($T_a = -20 \sim +75^\circ\text{C}$)

Item	Symbol	Test Conditions	min	typ*	max	Unit	
Input voltage	V_{IH}		2.0	—	—	V	
	V_{IL}		—	—	0.8	V	
Output voltage	V_{OH}	$V_{CC} = 4.75\text{V}$, $V_{IH} = 2\text{V}$, $V_{IL} = 0.8\text{V}$, $I_{OH} = -400\mu\text{A}$	2.7	—	—	V	
	V_{OL}	$V_{CC} = 4.75\text{V}$, $V_{IH} = 2\text{V}$, $V_{IL} = 0.8\text{V}$, $I_{OL} = 4\text{mA}^{**}$ $I_{OL} = 8\text{mA}^{**}$	—	—	0.4 0.5	V	
Input current	Any Reset	I_{IL}	$V_{CC} = 5.25\text{V}$, $V_I = 0.4\text{V}$	—	—	-0.4	mA
	A input			—	—	-2.4	
	B input			—	—	-3.2	
	Any Reset	I_{IH}	$V_{CC} = 5.25\text{V}$, $V_I = 2.7\text{V}$	—	—	20	μA
	A input			—	—	40	
	B input			—	—	80	
Any Reset	I_I	$V_{CC} = 5.25\text{V}$	$V_I = 7\text{V}$ $V_I = 5.5\text{V}$	—	—	0.1	mA
A input				—	—	0.2	
B input				—	—	0.4	
Short-circuit output current	I_{OS}	$V_{CC} = 5.25\text{V}$	-20	—	-100	mA	
Supply current ***	I_{CC}	$V_{CC} = 5.25\text{V}$	—	9	15	mA	
Input clamp voltage	V_{IK}	$V_{CC} = 4.75\text{V}$, $I_{IN} = -18\text{mA}$	—	—	-1.5	V	

* $V_{CC} = 5\text{V}$, $T_a = 25^\circ\text{C}$

** Q_A output is tested at specified I_{OL} plus the limit value of I_{IL} for the B input. This permits driving the B input while maintaining full fan-out capability.

*** I_{CC} is measured with all outputs open, both R_0 inputs grounded following momentary connection to 4.5V, and all other inputs grounded.

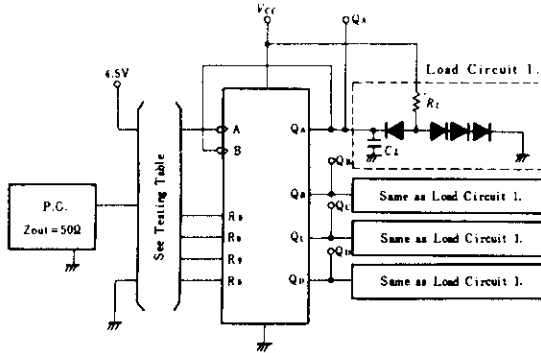
SWITCHING CHARACTERISTICS ($V_{CC} = 5\text{V}$, $T_a = 25^\circ\text{C}$)

Item	Symbol	Inputs	Outputs	Test Conditions	min	typ	max	Unit
Maximum count frequency	f_{max}	A	Q_A	$C_L = 15\text{pF}$, $R_L = 2\text{k}\Omega$	32	42	—	MHz
		B	Q_B		16	—	—	
Propagation delay time	t_{PLH}	A	Q_A		—	10	16	ns
					t_{PHL}	A	Q_B	
	t_{PLH}	A	Q_D					—
					t_{PHL}	B	Q_B	—
	t_{PLH}	B	Q_C					—
					t_{PHL}	B	Q_C	—
	t_{PLH}	B	Q_D					—
					t_{PHL}	B	Q_D	—
	t_{PLH}	Set-to-0	$Q_A \sim Q_D$	—				21
				t_{PHL}	Set-to-9	Q_A, Q_D	—	23
t_{PLH}	Set-to-9	Q_B, Q_C	—				26	40
			t_{PHL}	Set-to-9	Q_B, Q_C	—	20	30
t_{PLH}	Set-to-9	Q_B, Q_C				—	26	40
			t_{PHL}	Set-to-9	Q_B, Q_C	—	26	40

HD74LS290

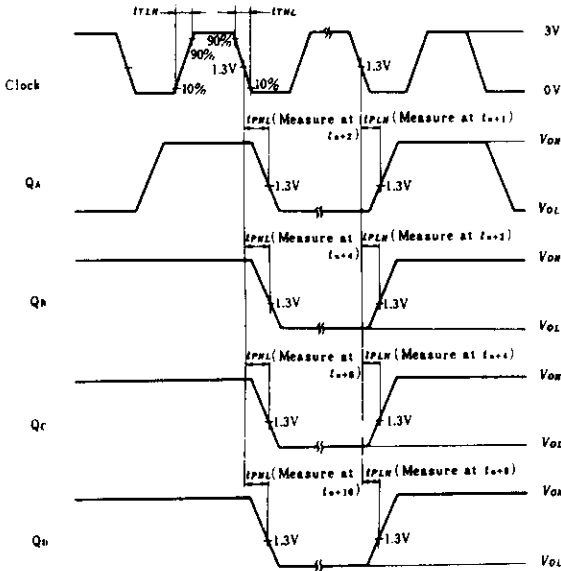
■ TESTING METHOD

1) Test Circuit



- Notes) 1. C_L includes probe and jig capacitance.
2. All diodes are 1S2074 (B).

Waveform 1. f_{max} , t_{PLH} , t_{PHL} (Clock \rightarrow Q)



- Notes) 1. Input pulse: $t_{TLH} \leq 15\text{ns}$, $t_{THL} \leq 5\text{ns}$, $PRR=1\text{MHz}$, duty cycle=50% and: for f_{max} , $t_{TLH} + t_{THL} \leq 2.5\text{ns}$.
2. t_n is reference bit time when all outputs are low.

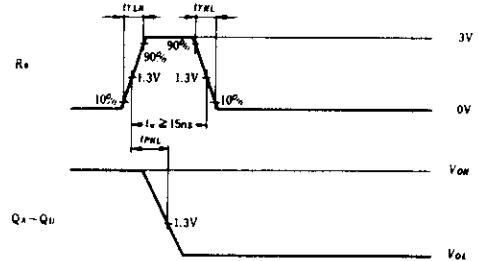
2) Testing Table

Item	From input to output	Inputs			Outputs			
		A	B	R_0 R_1 R_2	Q_A	Q_B	Q_C	Q_D
f_{max}	A \rightarrow Q	IN	to Q_A	GND	GND	OUT	OUT	OUT
	B \rightarrow Q	4.5V	IN	GND	GND	—	OUT	OUT
t_{PLH}	A \rightarrow Q_A	IN	to Q_A	GND	GND	OUT	—	—
	A \rightarrow Q_D	IN	to Q_A	GND	GND	—	—	OUT
t_{PHL}	B \rightarrow Q_B	4.5V	IN	GND	GND	—	OUT	—
	B \rightarrow Q_C	4.5V	IN	GND	GND	—	—	OUT
t_{PHL}	B \rightarrow Q_D	4.5V	IN	GND	GND	—	—	OUT
	$R_0 \rightarrow Q^{**}$	IN*	to Q_A	IN	GND	OUT	OUT	OUT
	$R_1 \rightarrow Q^{**}$	IN*	to Q_A	GND	IN	OUT	OUT	OUT

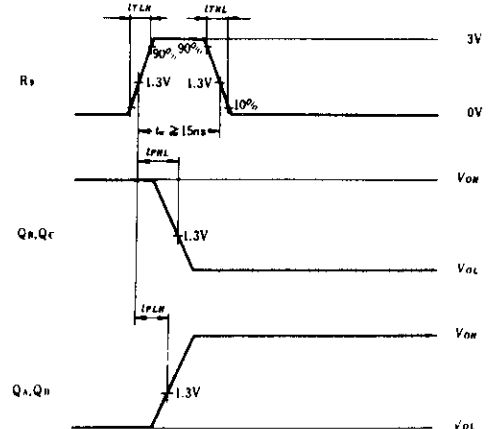
* For initialized

** Measured with each input and unused inputs at 4.5V.

Waveform 2. t_{PHL} ($R_0 \rightarrow Q$)



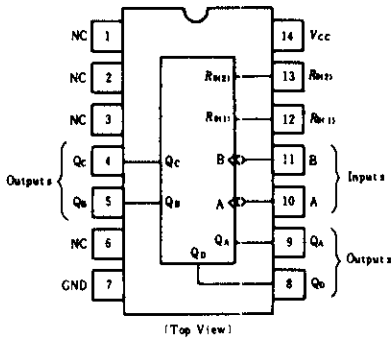
Waveform 3. t_{PLH} , t_{PHL} ($R_1 \rightarrow Q$)



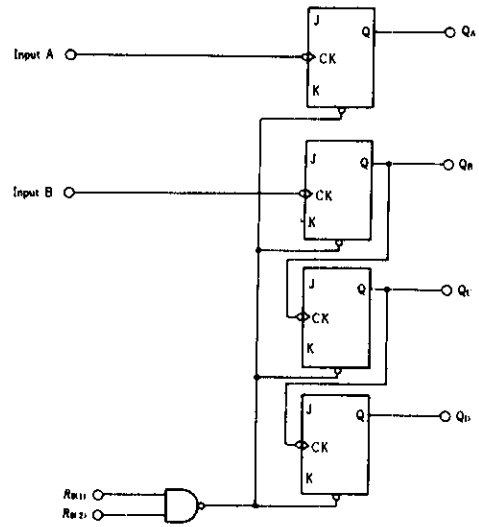
HD74LS293 4-bit Binary Counters

This counter contains four master-slave flip-flops and additional gating to provide a divide-by-two counter and divide-by-eight counter. This counter has a gated zero reset. To use the maximum count length of this counter, the B input is connected to the Q_A output. The input count pulses are applied to input A and the outputs are as described in the appropriate function table.

PIN ARRANGEMENT



BLOCK DIAGRAM



ABSOLUTE MAXIMUM RATINGS

Item	Symbol	Ratings	Unit
Supply voltage	V_{CC}	7.0	V
Input voltage	R_0 Inputs	7.0	V
	A, B Inputs	5.5	V
Operating temperature range	T_{opr}	-20 ~ +75	°C
Storage temperature range	T_{stg}	-65 ~ +150	°C

FUNCTION TABLE

Reset/Count

Reset Input		Outputs			
$R_{0(1)}$	$R_{0(2)}$	Q_D	Q_C	Q_B	Q_A
H	H	L	L	L	L
L	X	Count			
X	L	Count			

BCD Count Sequence

Count	Outputs				Count	Outputs			
	Q_D	Q_C	Q_B	Q_A		Q_D	Q_C	Q_B	Q_A
0	L	L	L	L	8	H	L	L	L
1	L	L	L	H	9	H	L	L	H
2	L	L	H	L	10	H	L	H	L
3	L	L	H	H	11	H	L	H	H
4	L	H	L	L	12	H	H	L	L
5	L	H	L	H	13	H	H	L	H
6	L	H	H	L	14	H	H	H	L
7	L	H	H	H	15	H	H	H	H

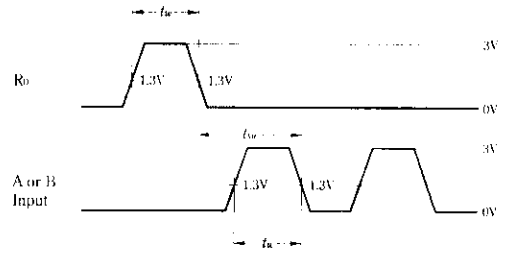
- Notes) 1. H; high level, L; low level, X; irrelevant.
2. Output Q_A is connected to input B.

HD74LS293

RECOMMENDED OPERATING CONDITIONS

Item	Symbol	min	typ	max	Unit	
Output current	I_{OH}	—	—	-400	μA	
Output current	I_{OL}	—	—	8	mA	
Count frequency	A input	f_{count}	0	—	32	MHz
	B input		0	—	16	
Pulse width	A input	t_w	15	—	—	ns
	B input		30	—	—	
	Reset inputs		15	—	—	
Setup time	t_s	25	—	—	ns	

TIMING DEFINITION



ELECTRICAL CHARACTERISTICS ($T_a = -20 \sim +75^\circ C$)

Item	Symbol	Test Conditions	min	typ*	max	Unit	
Input voltage	V_{IH}		2.0	—	—	V	
	V_{IL}		—	—	0.8	V	
Output voltage	V_{OH}	$V_{CC} = 4.75V, V_{IH} = 2V, V_{IL} = 0.8V, I_{OH} = -400\mu A$	2.7	—	—	V	
	V_{OL}	$V_{CC} = 4.75V, V_{IH} = 2V, V_{IL} = 0.8V$	$I_{OL} = 4mA^{**}$	—	—	0.4	V
			$I_{OL} = 8mA^{**}$	—	—	0.5	
Input current	Any Reset	I_{IH}	$V_{CC} = 5.25V, V_i = 0.4V$	—	—	-0.4	mA
	A input			—	—	-2.4	
	B input			—	—	-1.6	
	Any Reset	I_{IN}	$V_{CC} = 5.25V, V_i = 2.7V$	—	—	20	μA
	A input			—	—	40	
	B input			—	—	40	
Any Reset	I_I	$V_{CC} = 5.25V$	$V_i = 7V$	—	—	0.1	mA
A input				—	—	0.2	
B input				—	—	0.2	
Short-circuit output current	I_{OS}	$V_{CC} = 5.25V$	-20	—	-100	mA	
Supply current***	I_{CC}	$V_{CC} = 5.25V$	—	9	15	mA	
Input clamp voltage	V_{IK}	$V_{CC} = 4.75V, I_{IN} = -18mA$	—	—	-1.5	V	

* $V_{CC} = 5V, T_a = 25^\circ C$

** Q_A output is tested at specified I_{OL} plus the limit value of I_{IL} for the B input. This permits driving the B input while maintaining full fan-out capability.

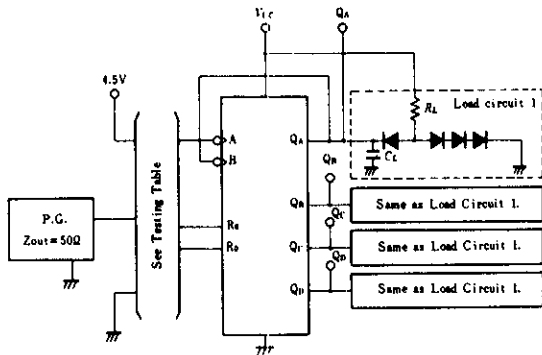
*** I_{CC} is measured with all outputs open, both R_0 inputs grounded following momentary connection to 4.5V, and all other inputs grounded.

SWITCHING CHARACTERISTICS ($V_{CC} = 5V, T_a = 25^\circ C$)

Item	Symbol	Inputs	Outputs	Test Conditions	min	typ	max	Unit
Maximum count frequency	f_{max}	A	Q_A	$C_L = 15pF, R_L = 2k\Omega$	32	42	—	MHz
		B	Q_B		16	—	—	
Propagation delay time	t_{PLH}	A	Q_A		—	10	16	ns
	t_{PHL}				—	12	18	
	t_{PLH}	A	Q_D		—	46	70	ns
	t_{PHL}				—	46	70	
	t_{PLH}	B	Q_B		—	10	16	ns
	t_{PHL}				—	14	21	
	t_{PLH}	B	Q_C		—	21	32	ns
	t_{PHL}				—	23	35	
	t_{PLH}	B	Q_D	—	34	51	ns	
	t_{PHL}			—	34	51		
t_{PHL}		Set-to-0	$Q_A \sim Q_D$	—	26	40	ns	

TESTING METHOD

1) Test Circuit



- Notes) 1. C_L includes probe and jig capacitance.
2. All diodes are 1S2074 $\text{\textcircled{H}}$.

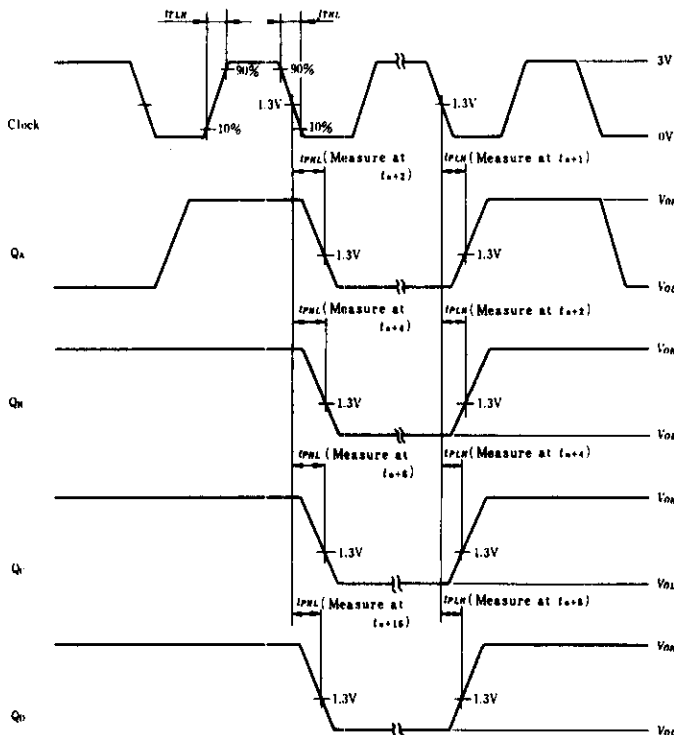
2) Testing Table

Item	From input to output	Inputs			Outputs			
		A	B	R_0	Q_A	Q_B	Q_C	Q_D
f_{max}	A→Q	IN	to Q_A	GND	OUT	OUT	OUT	OUT
	B→Q	4.5V	IN	GND	—	OUT	OUT	OUT
t_{PLH}	A→ Q_A	IN	to Q_A	GND	OUT	—	—	—
	A→ Q_D	IN	to Q_A	GND	—	—	—	OUT
t_{PHL}	B→ Q_B	4.5V	IN	GND	—	OUT	—	—
	B→ Q_C	4.5V	IN	GND	—	—	OUT	—
	B→ Q_D	4.5V	IN	GND	—	—	—	OUT
	R_0 → Q^{**}	IN*	to Q_A	IN	OUT	OUT	OUT	OUT

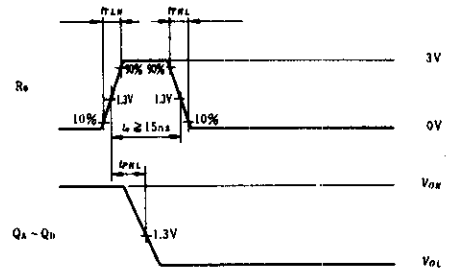
* For initialized.

** Measured with each input and unused inputs at 4.5V.

Waveform 1. f_{max} , t_{PLH} , t_{PHL} (Clock→Q)



Waveform 2. t_{PHL} (R_0 →Q)



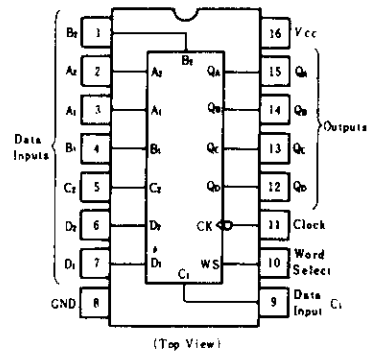
Note) $t_{TLH} \leq 15ns$, $t_{THL} \leq 5ns$

- Notes) 1. Input pulse: $t_{TLH} \leq 15ns$, $t_{THL} \leq 5ns$, $PRR=1MHz$, duty cycle=50% and: for f_{max} , $t_{TLH} = t_{THL} \leq 2.5ns$.
2. t_n is reference bit time when all outputs are low.

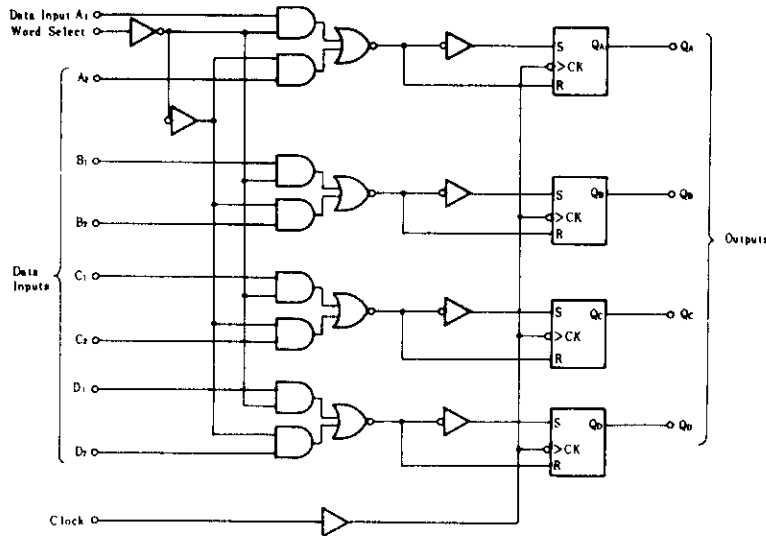
HD74LS298 • Quadruple 2-input Multiplexers (with storage)

This quadruple two-input multiplexer with storage provides essentially the equivalent functional capabilities of two separate MSI functions (HD74LS157 and HD74LS175). When the word-select input is low, word 1 (A_1, B_1, C_1, D_1) is applied to the flip-flops. A high input to word select will cause the selection of word 2 (A_2, B_2, C_2, D_2). The selected word is clocked to the output terminals on the negative-going edge of the clock pulse.

■ PIN ARRANGEMENT



■ BLOCK DIAGRAM



■ FUNCTION TABLE

Inputs		Outputs			
Word Select	Clock	Q_A	Q_B	Q_C	Q_D
L	↓	a_1	b_1	c_1	d_1
H	↓	a_2	b_2	c_2	d_2
X	H	Q_{A0}	Q_{B0}	Q_{C0}	Q_{D0}

- Notes) 1. H; high level, L; low level, X; irrelevant (any input, including transition)
 2. ↓; transition from high to low level
 3. a_1, a_2 , etc; the level of steady-state input at A_1, A_2 , etc.
 4. Q_{A0}, Q_{B0} , etc; the level of Q_A, Q_B , etc. entered on the most-recent ↓ transition of the clock input.

■ RECOMMENDED OPERATING CONDITIONS

Item	Symbol	min	typ	max	Unit
Clock pulse width	$t_{w(CK)}$	20	—	—	ns
Setup time	Data	15	—	—	ns
	Word Select	25	—	—	
Hold time	Data	5	—	—	ns
	Word Select	0	—	—	

■ ELECTRICAL CHARACTERISTICS ($T_a = -20 \sim +75^\circ\text{C}$)

Item	Symbol	Test Conditions	min	typ*	max	Unit	
Input voltage	V_{IH}		2.0	—	—	V	
	V_{IL}		—	—	0.8	V	
Output voltage	V_{OH}	$V_{CC}=4.75\text{V}, V_{IH}=2\text{V}, V_{IL}=0.8\text{V}, I_{OH}=-400\mu\text{A}$	2.7	—	—	V	
	V_{OL}	$V_{CC}=4.75\text{V}, V_{IH}=2\text{V}, V_{IL}=0.8\text{V}$	$I_{OL}=4\text{mA}$	—	—	0.4	V
			$I_{OL}=8\text{mA}$	—	—	0.5	
Input current	I_{IH}	$V_{CC}=5.25\text{V}, V_I=2.7\text{V}$	—	—	20	μA	
	I_{IL}	$V_{CC}=5.25\text{V}, V_I=0.4\text{V}$	—	—	-0.4	mA	
	I_I	$V_{CC}=5.25\text{V}, V_I=7\text{V}$	—	—	0.1	mA	
Short-circuit output current	I_{OS}	$V_{CC}=5.25\text{V}$	-20	—	-100	mA	
Supply current **	I_{CC}	$V_{CC}=5.25\text{V}$	—	13	21	mA	
Input clamp voltage	V_{IK}	$V_{CC}=4.75\text{V}, I_{IN}=-18\text{mA}$	—	—	-1.5	V	

* $V_{CC}=5\text{V}, T_a=25^\circ\text{C}$

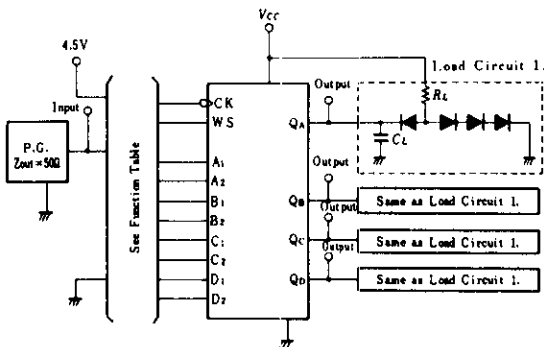
** With all outputs open and all inputs except clock low, I_{CC} is measured after applying a momentary 4.5V, followed by ground, to the clock input.

■ SWITCHING CHARACTERISTICS ($V_{CC}=5\text{V}, T_a=25^\circ\text{C}$)

Item	Symbol	Test Conditions	min	typ	max	Unit
Propagation delay time	t_{PLH}	$C_L=15\text{pF}, R_L=2\text{k}\Omega$	—	18	27	ns
	t_{PHL}		—	21	32	ns

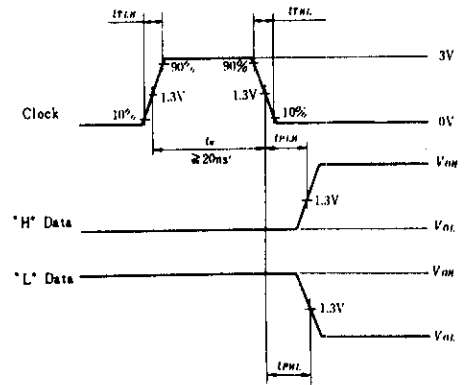
■ TESTING METHOD

1) Test Circuit



- Notes) 1. C_L includes probe and jig capacitance.
2. All diodes are 1S2074 (Ⓢ).

Waveform



Input pulse; $t_{TLH} \leq 15\text{ns}, t_{THL} \leq 6\text{ns},$
 $PRR=1\text{MHz}.$

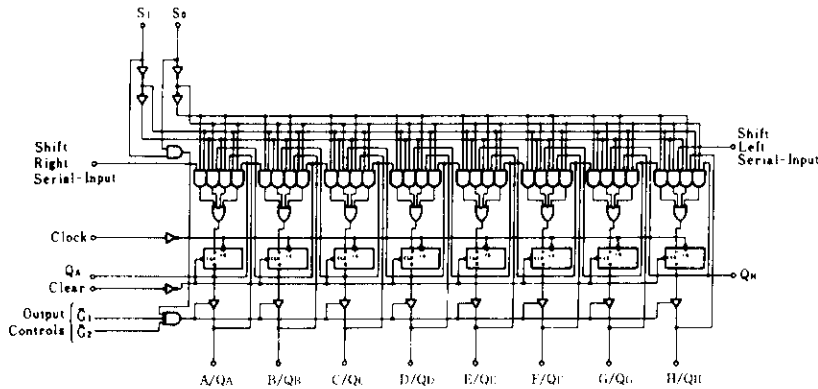
HD74LS299 • 8-bit Universal Shift/Storage Registers (with three-state outputs)

This eight-bit universal register features multiplexed inputs/outputs to achieve full eight bit data. Two function-select inputs and two output-control inputs can be used to choose the modes of operation listed in the function table.

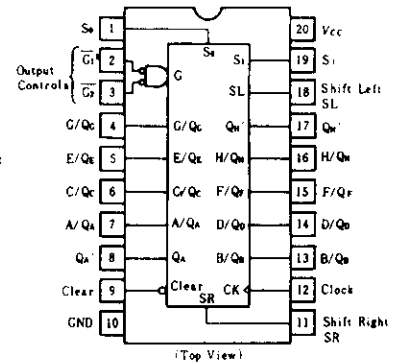
Synchronous parallel loading is accomplished by taking both function select lines, S_0 and S_1 , high. This places the three-

state outputs in a high-impedance state, which permits data that is applied on the input/output lines to be clocked into the register. Reading out of the register can be accomplished while the outputs are enabled in any mode. A direct overriding input is provided to clear the register whether the outputs are enabled or off.

■ BLOCK DIAGRAM



■ PIN ARRANGEMENT



■ ABSOLUTE MAXIMUM RATINGS

Item	Symbol	Rating	Unit
Supply voltage	V_{CC}	7.0	V
Input voltage	V_{IN}	7.0	V
Output voltage (off-state)	$V_{O(off)}$	5.5	V
Operating temperature range	T_{op}	-20 ~ +75	°C
Storage temperature range	T_{stg}	-65 ~ +150	°C

■ FUNCTION TABLE

Mode	Inputs								Inputs/Outputs								Outputs	
	Clear	Function Select		Output Control		Clock	Serial		A/Q _A	B/Q _B	C/Q _C	D/Q _D	E/Q _E	F/Q _F	G/Q _G	H/Q _H	Q _A '	Q _H '
		S ₁	S ₀	$\overline{G_1}$	$\overline{G_2}$		S _L	S _R										
Clear	L	X	L	L	L	X	X	X	L	L	L	L	L	L	L	L	L	L
	L	L	X	L	L	X	X	X	L	L	L	L	L	L	L	L	L	L
Hold	H	L	L	L	L	X	X	X	Q _{A0}	Q _{B0}	Q _{C0}	Q _{D0}	Q _{E0}	Q _{F0}	Q _{G0}	Q _{H0}	Q _{A0}	Q _{H0}
	H	X	X	L	L	L	X	X	Q _{A0}	Q _{B0}	Q _{C0}	Q _{D0}	Q _{E0}	Q _{F0}	Q _{G0}	Q _{H0}	Q _{A0}	Q _{H0}
Shift Right	H	L	H	L	L	↑	X	H	Q _{A_n}	Q _{B_n}	Q _{C_n}	Q _{D_n}	Q _{E_n}	Q _{F_n}	Q _{G_n}	Q _{C_n}	H	Q _{C_n}
	H	L	H	L	L	↑	X	L	Q _{A_n}	Q _{B_n}	Q _{C_n}	Q _{D_n}	Q _{E_n}	Q _{F_n}	Q _{C_n}	L	Q _{C_n}	
Shift Left	H	H	L	L	L	↑	H	X	Q _{B_n}	Q _{C_n}	Q _{D_n}	Q _{E_n}	Q _{F_n}	Q _{G_n}	Q _{H_n}	H	Q _{B_n}	H
	H	H	L	L	L	↑	L	X	Q _{B_n}	Q _{C_n}	Q _{D_n}	Q _{E_n}	Q _{F_n}	Q _{G_n}	Q _{H_n}	L	Q _{B_n}	L
Load	H	H	H	X	X	↑	X	X	a	b	c	d	e	f	g	h	a	h

- Notes) 1. H; high level, L; low level, X; irrelevant
 2. †; transition from low to high level
 3. a~h; the level of steady-state input at inputs A through H, respectively. These data are loaded into the flip-flop outputs are isolated from the input/output terminals.
 4. Q_{A0}~Q_{H0}; the level of Q_A through Q_H, respectively, before the indicated steady-state input conditions were established.

5. Q_{An}~Q_{Hn}; the level of Q_A through Q_H, respectively, before the most-recent † transition of the clock.
 6. † =; When one or both output controls are high the eight input/output terminals are disabled to the high-impedance state, however, sequential operation or clearing of the register is not affected.

RECOMMENDED OPERATING CONDITIONS

Item	Symbol	min	typ	max	Unit
Output current	$Q_A \sim Q_H$	—	—	-2.6	mA
	Q_A' or Q_H'	—	—	-0.4	
Output current	$Q_A \sim Q_H$	—	—	24	mA
	Q_A' or Q_H'	—	—	8	
Clock frequency	f_{clock}	0	—	25	MHz
Clock pulse width	Clock high	30	—	—	ns
	Clock low	10	—	—	
Clear pulse width	Clear low	20	—	—	ns
Setup time	Select	35 †	—	—	ns
	High-level data	20 †	—	—	
	Low-level data	20 †	—	—	
	Clear inactive-state	20 †	—	—	
Hold time	Select	10 †	—	—	ns
	Data	10 †	—	—	

† The arrow indicates the rising edge.

ELECTRICAL CHARACTERISTICS ($T_a = -20 \sim +75^\circ\text{C}$)

Item	Symbol	Test Conditions	min	typ*	max	Unit		
Input voltage	V_{IH}		2.0	—	—	V		
	V_{IL}		—	—	0.8	V		
Output voltage	Q_A thru Q_H	V_{OH}	$V_{CC}=4.75\text{V}, V_{IH}=2\text{V}, V_{IL}=0.8\text{V}$	$I_{OH}=-2.6\text{mA}$	2.4	—	V	
	$I_{OH}=-400\mu\text{A}$			2.7	—			
	Q_A thru Q_H	V_{OL}	$V_{CC}=4.75\text{V}, V_{IH}=2\text{V}, V_{IL}=0.8\text{V}$	$I_{OL}=12\text{mA}$	—	—	V	
	Q_A' or Q_H'			$I_{OL}=24\text{mA}$	—	—		0.5
Output current	Q_A thru Q_H	I_{OZH}	$V_{CC}=5.25\text{V}, V_{IH}=2\text{V}, V_O=2.7\text{V}$	—	—	40	μA	
	Q_A thru Q_H			I_{OZL}	$V_{CC}=5.25\text{V}, V_{IH}=2\text{V}, V_O=0.4\text{V}$	—		—
	Input current	$S_0, S_1, A \sim H$	I_{IH}	$V_{CC}=5.25\text{V}, V_I=2.7\text{V}$	—	—	40	μA
		Any other			—	—	20	
S_0, S_1		I_{IL}	$V_{CC}=5.25\text{V}, V_I=0.4\text{V}$	—	—	-0.8	mA	
Any other				—	—	-0.4		
Short-circuit output current		Q_A thru Q_H	I_{OS}	$V_{CC}=5.25\text{V}$	—	—	-130	mA
		Q_A' or Q_H'			—	—	-100	
	Supply current	I_{CC}			$V_{CC}=5.25\text{V}$	—	33	
Input clamp voltage	V_{IK}	$V_{CC}=4.75\text{V}, I_{IH}=-18\text{mA}$	—	—	-1.5	V		

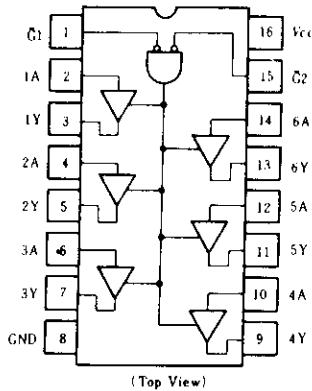
* $V_{CC} = 5\text{V}, T_a = 25^\circ\text{C}$

SWITCHING CHARACTERISTICS ($V_{CC}=5\text{V}, T_a=25^\circ\text{C}$)

Item	Symbol	Inputs	Outputs	Test Conditions	min	typ	max	Unit	
Maximum clock frequency	f_{max}				25	35	—	MHz	
Propagation delay time	t_{PLH}	Clock	Q_A' or Q_H'	$C_L=15\text{pF}, R_L=2\text{k}\Omega$	—	22	33	ns	
					t_{PHL}	—	26		39
	t_{PHL}	Clear	Q_A' or Q_H'		—	27	40	ns	
					t_{PLH}	—	17		25
	t_{PHL}	Clear	$Q_A \sim Q_H$		$C_L=45\text{pF}, R_L=665\Omega$	—	26	39	ns
						t_{PLH}	—	26	
Output enable time	t_{ZH}	\bar{G}_1, \bar{G}_2	$Q_A \sim Q_H$	—		13	21	ns	
				t_{ZL}		—	19		30
Output disable time	t_{HZ}	\bar{G}_1, \bar{G}_2	$Q_A \sim Q_H$	$C_L=5\text{pF}, R_L=665\Omega$		—	10	15	ns
						t_{LZ}	—	10	

HD74LS365A • Hex Bus Drivers (with three-state outputs)

■ PIN ARRANGEMENT



■ ABSOLUTE MAXIMUM RATINGS

Item	Symbol	Ratings	Unit
Supply voltage	V_{CC}	7.0	V
Input voltage	V_{IH}	7.0	V
Output voltage (Off-state)	$V_{O1,off}$	5.5	V
Operating temperature range	T_{op}	-20~+75	°C
Storage temperature range	T_{stg}	-65~+150	°C

■ FUNCTION TABLE

Inputs			Output
\bar{G}_1	\bar{G}_2	A	Y
H	x	x	Z
x	H	x	Z
L	L	L	L
L	L	H	H

Note) H; high level. L; low level,
X; irrelevant
Z; off (high-impedance) state
of a 3-state output

■ ELECTRICAL CHARACTERISTICS ($T_a = -20 \sim +75^\circ\text{C}$)

Item	Symbol	Test Conditions	min	typ*	max	Unit	
Input voltage	V_{IH}		2.0	—	—	V	
	V_{IL}		—	—	0.8		
Output voltage	V_{OH}	$V_{CC} = 4.75\text{V}, V_{IH} = 2\text{V}, V_{IL} = 0.8\text{V}, I_{OH} = -2.6\text{mA}$	2.4	—	—	V	
	V_{OL}	$V_{CC} = 4.75\text{V}, V_{IH} = 2\text{V}, V_{IL} = 0.8\text{V}, I_{OL} = 24\text{mA}$	—	—	0.5		
		$I_{OL} = 12\text{mA}$	—	—	0.4		
Output current	I_{OZH}	$V_{CC} = 5.25\text{V}, V_{IH} = 2\text{V}, V_O = 2.4\text{V}$	—	—	20	μA	
	I_{OZL}	$V_{IL} = 0.8\text{V}, V_O = 0.4\text{V}$	—	—	-20		
Input current	I_{IH}	$V_{CC} = 5.25\text{V}, V_{IH} = 2.7\text{V}$	—	—	20	μA	
	A inputs	I_{IL}	$V_{CC} = 5.25\text{V}, V_i = 0.5\text{V}, \text{Either } \bar{G} \text{ inputs} = 2\text{V}$	—	—	-20	μA
			$V_{CC} = 5.25\text{V}, V_i = 0.4\text{V}, \text{Both } \bar{G} \text{ inputs} = 0.4\text{V}$	—	—	-0.4	mA
	\bar{G} inputs	I_{IL}	$V_{CC} = 5.25\text{V}, V_i = 0.4\text{V}$	—	—	-0.4	mA
	I_I	$V_{CC} = 5.25\text{V}, V_i = 7\text{V}$	—	—	0.1	mA	
Short-circuit output current	I_{OS}	$V_{CC} = 5.25\text{V}$	-40	—	-225	mA	
Supply current	I_{CC}^{**}	$V_{CC} = 5.25\text{V}$	—	14	24	mA	
Input clamp voltage	V_{IK}	$V_{CC} = 5.25\text{V}, I_{IH} = -18\text{mA}$	—	—	-1.5	V	

* $V_{CC} = 5\text{V}, T_a = 25^\circ\text{C}$

** With all outputs open, I_{CC} is measured with all inputs grounded and all \bar{G} inputs at 4.5V.

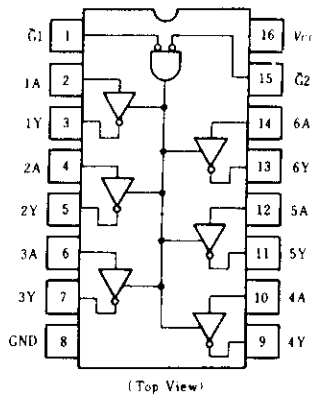
■ SWITCHING CHARACTERISTICS ($V_{CC}=5V, T_a=25^{\circ}C$)

Item	Symbol	Test Conditions	min	typ	max	Unit	
Propagation delay time	t_{PLH}	$C_L=45pF$ $R_L=667\Omega$	—	10	16	ns	
	t_{PHL}		—	9	22		
Output enable time	t_{ZH}		$R_L=667\Omega$	—	19		35
	t_{ZL}			—	24		40
Output disable time	t_{HZ}		$C_L=5pF$	—	—		30
	t_{LZ}		$R_L=667\Omega$	—	—		35

Note) Refer to Test Circuit and Waveform of the Common Item

HD74LS366A ● Hex Bus Drivers (with three-state outputs)

■ PIN ARRANGEMENT



■ ABSOLUTE MAXIMUM RATINGS

Item	Symbol	Ratings	Unit
Supply voltage	V_{CC}	7.0	V
Input voltage	V_{IN}	7.0	V
Output voltage (off-state)	$V_{O(off)}$	5.5	V
Operating temperature range	T_{op}	-20 ~ +75	°C
Storage temperature range	T_{stg}	-65 ~ +150	°C

■ FUNCTION TABLE

Inputs			Output
\bar{G}_1	\bar{G}_2	A	Y
H	X	X	Z
X	H	X	Z
L	L	H	L
L	L	L	H

Note)

H; high level, L; low level,
X; irrelevant
Z; off (high-impedance) state
of a 3-state output

■ RECOMMENDED OPERATING CONDITIONS

Item	Symbol	min	typ	max	Unit
Output current	I_{OH}	—	—	-2.6	mA
Output current	I_{OL}	—	—	24	mA

■ ELECTRICAL CHARACTERISTICS ($T_a = -20 \sim +75^\circ\text{C}$)

Item	Symbol	Test Conditions	min	typ*	max	Unit	
Input voltage	V_{IH}		2.0	—	—	V	
	V_{IL}		—	—	0.8		
Output voltage	V_{OH}	$V_{CC}=4.75\text{V}$, $V_{IH}=2\text{V}$, $V_{IL}=0.8\text{V}$, $I_{OH}=-2.6\text{mA}$	2.4	—	—	V	
	V_{OL}	$V_{CC}=4.75\text{V}$, $V_{IH}=2\text{V}$, $V_{IL}=0.8\text{V}$	$I_{OL}=24\text{mA}$	—	—		0.5
		$I_{OL}=12\text{mA}$	—	—	0.4		
Output current	I_{OZH}	$V_{CC}=5.25\text{V}$, $V_{IH}=2\text{V}$,	$V_o=2.4\text{V}$	—	—	20	
	I_{OZL}	$V_{IL}=0.8\text{V}$	$V_o=0.4\text{V}$	—	—	-20	
Input current	I_{IH}	$V_{CC}=5.25\text{V}$, $V_{IH}=2.7\text{V}$	—	—	20	μA	
	A inputs	I_{IL}	$V_{CC}=5.25\text{V}$, $V_I=0.5\text{V}$, Either \bar{G} inputs=2V	—	—	-20	μA
		\bar{G} inputs	$V_{CC}=5.25\text{V}$, $V_I=0.4\text{V}$, Both \bar{G} inputs=0.4V	—	—	-0.4	mA
	\bar{G} inputs	$V_{CC}=5.25\text{V}$, $V_I=0.4\text{V}$	—	—	-0.4		
		I_I	$V_{CC}=5.25\text{V}$, $V_I=7\text{V}$	—	—	0.1	mA
Short-circuit output current	I_{OS}	$V_{CC}=5.25\text{V}$	-40	—	-225	mA	
Supply current	I_{CC}^{**}	$V_{CC}=5.25\text{V}$	—	12	21	mA	
Input clamp voltage	V_{IK}	$V_{CC}=4.75\text{V}$, $I_{IH}=-18\text{mA}$	—	—	-1.5	V	

* $V_{CC}=5\text{V}$, $T_a=25^\circ\text{C}$

** I_{CC} is measured with data inputs grounded and output control inputs at 4.5V.

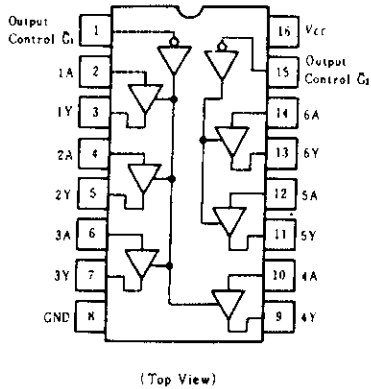
■ SWITCHING CHARACTERISTICS ($V_{CC}=5\text{V}$, $T_a=25^\circ\text{C}$)

Item	Symbol	Test Conditions	min	typ	max	Unit
Propagation delay time	t_{PLH}	$C_L=45\text{pF}$ $R_L=667\Omega$	—	7	15	ns
	t_{PHL}		—	12	18	
Output enable time	t_{ZH}		—	18	35	
	t_{ZL}		—	28	45	
Output disable time	t_{HZ}	$C_L=5\text{pF}$	—	—	32	
	t_{LZ}	$R_L=667\Omega$	—	—	35	

Note) Refer to Test Circuit and Waveform of the Common Item

HD74LS367A ●Hex Bus Drivers (non-inverted data outputs with three-state outputs)

■ PIN ARRANGEMENT



■ ABSOLUTE MAXIMUM RATINGS

Item	Symbol	Ratings	Unit
Supply voltage	V_{CC}	7.0	V
Input voltage	V_{IN}	7.0	V
Output voltage (off-state)	$V_{O,off}$	5.5	V
Operating temperature range	T_{op}	-20 ~ +75	°C
Storage temperature range	T_{stg}	-65 ~ +150	°C

■ FUNCTION TABLE

G	A	Y
H	X	Z
L	L	L
L	H	H

Note) H: high level, L: low level,
X: irrelevant
Z: off (high-impedance) state
of a 3-state output

■ RECOMMENDED OPERATING CONDITIONS

Item	Symbol	min	typ	max	Unit
Output current	I_{OH}	—	—	-2.6	mA
Output current	I_{OL}	—	—	24	mA

■ ELECTRICAL CHARACTERISTICS ($T_a = -20 \sim +75^\circ\text{C}$)

Item	Symbol	Test Conditions	min	typ*	max	Unit	
Input voltage	V_{IH}		2.0	—	—	V	
	V_{IL}		—	—	0.8	V	
Output voltage	V_{OH}	$V_{CC} = 4.75\text{V}, V_{IH} = 2\text{V}, V_{IL} = 0.8\text{V}, I_{OH} = -2.6\text{mA}$	2.4	—	—	V	
	V_{OL}	$V_{CC} = 4.75\text{V}, V_{IH} = 2\text{V}, V_{IL} = 0.8\text{V}$	$I_{OL} = 24\text{mA}$	—	—	0.5	V
			$I_{OL} = 12\text{mA}$	—	—	0.4	
Output current	I_{OZ}	$V_{CC} = 5.25\text{V}, V_{IH} = 2\text{V}, V_{IL} = 0.8\text{V}$	$V_o = 2.4\text{V}$	—	—	20	μA
			$V_o = 0.4\text{V}$	—	—	-20	
Input current	I_{IH}	$V_{CC} = 5.25\text{V}, V_I = 2.7\text{V}$	—	—	20	μA	
	I_{IL}	A inputs $V_{CC} = 5.25\text{V}$	$V_I = 0.5\text{V}, \bar{G}$ inputs 2V	—	—	-20	μA
			$V_I = 0.4\text{V}, \bar{G}$ inputs 0.4V	—	—	-0.4	mA
		\bar{G} inputs $V_{CC} = 5.25\text{V}, V_I = 0.4\text{V}$	—	—	-0.4	mA	
	I_I	$V_{CC} = 5.25\text{V}, V_I = 7\text{V}$	—	—	0.1	mA	
Short-circuit output current	I_{OS}	$V_{CC} = 5.25\text{V}$	-40	—	-225	mA	
Supply current**	I_{CC}	$V_{CC} = 5.25\text{V}$	—	14	24	mA	
Input clamp voltage	V_{IK}	$V_{CC} = 4.75\text{V}, I_{IH} = -18\text{mA}$	—	—	-1.5	V	

* $V_{CC} = 5\text{V}, T_a = 25^\circ\text{C}$

** I_{CC} is measured with data inputs grounded and output control inputs at 4.5V.

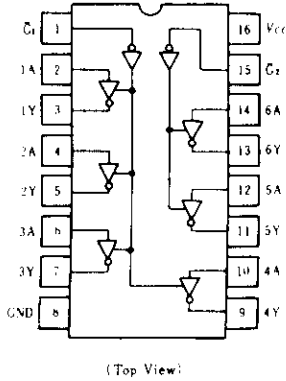
■ SWITCHING CHARACTERISTICS ($V_{CC} = 5\text{V}, T_a = 25^\circ\text{C}$)

Item	Symbol	Test Conditions	min	typ	max	Unit	
Propagation delay time	t_{PLH}	$C_L = 45\text{pF}, R_L = 667\Omega$	—	10	16	ns	
	t_{PHL}		—	9	22		
Output enable time	t_{ZH}		$C_L = 5\text{pF}, R_L = 667\Omega$	—	19	35	ns
	t_{ZL}			—	24	40	
Output disable time	t_{HZ}	$C_L = 5\text{pF}, R_L = 667\Omega$	—	—	30	ns	
	t_{LZ}		—	—	35		

Note) Refer to Test Circuit and Waveform of the Common Item

HD74LS368A ●Hex Bus Drivers (inverted data outputs with three-state outputs)

■ PIN ARRANGEMENT



■ ABSOLUTE MAXIMUM RATINGS

Item	Symbol	Ratings	Unit
Supply voltage	V_{CC}	7.0	V
Input voltage	V_{IS}	7.0	V
Output voltage (off-state)	$V_{O(off)}$	5.5	V
Operating temperature range	T_{op}	-20 ~ +75	°C
Storage temperature range	T_{stg}	-65 ~ +150	°C

■ FUNCTION TABLE

\bar{G}	A	Y
H	X	Z
L	L	H
L	H	L

Note) H: high level, L: low level,
X: irrelevant
Z: off (high-impedance) state
of a 3-state output

■ RECOMMENDED OPERATING CONDITIONS

Item	Symbol	min	typ	max	Unit
Output current	I_{OH}	—	—	-2.6	mA
Output current	I_{OL}	—	—	24	mA

■ ELECTRICAL CHARACTERISTICS ($T_a = -20 \sim +75^\circ\text{C}$)

Item	Symbol	Test Conditions	min	typ*	max	Unit	
Input voltage	V_{IH}		2.0	—	—	V	
	V_{IL}		—	—	0.8		
Output voltage	V_{OH}	$V_{CC} = 4.75\text{V}$, $V_{IH} = 2\text{V}$, $V_{IL} = 0.8\text{V}$, $I_{OH} = -2.6\text{mA}$	2.4	—	—	V	
	V_{OL}	$V_{CC} = 4.75\text{V}$, $V_{IH} = 2\text{V}$, $V_{IL} = 0.8\text{V}$	$I_{OL} = 12\text{mA}$	—	—		0.4
			$I_{OL} = 24\text{mA}$	—	—		0.5
Output current	I_{OZ}	$V_{CC} = 5.25\text{V}$, $V_{IH} = 2\text{V}$, $V_{IL} = 0.8\text{V}$	$V_O = 2.4\text{V}$	—	—	20	
			$V_O = 0.4\text{V}$	—	—	-20	
Input current	I_{IH}	$V_{CC} = 5.25\text{V}$, $V_I = 2.7\text{V}$	—	—	20	μA	
		$V_{CC} = 5.25\text{V}$, $V_I = 0.5\text{V}$, \bar{G} input at 2V	—	—	-20	μA	
	I_{IL}	$V_{CC} = 5.25\text{V}$, $V_I = 0.4\text{V}$, \bar{G} inputs at 0.4V	—	—	-0.4	mA	
			—	—	-0.4		
	I_I	$V_{CC} = 5.25\text{V}$, $V_I = 7\text{V}$	—	—	0.1	mA	
Short-circuit output current	I_{OS}	$V_{CC} = 5.25\text{V}$	-40	—	-225	mA	
Supply current **	I_{CC}	$V_{CC} = 5.25\text{V}$	—	12	21	mA	
Input clamp voltage	V_{IK}	$V_{CC} = 5.25\text{V}$, $I_{IN} = -18\text{mA}$	—	—	-1.5	V	

* $V_{CC} = 5\text{V}$, $T_a = 25^\circ\text{C}$

** With all outputs open, I_{CC} is measured with all inputs grounded and all \bar{G} inputs at 4.5V.

■ SWITCHING CHARACTERISTICS ($V_{CC} = 5\text{V}$, $T_a = 25^\circ\text{C}$)

Item	Symbol	Test Conditions	min	typ	max	Unit
Propagation delay time	t_{PLH}	$C_L = 45\text{pF}$, $R_L = 667\Omega$	—	7	15	ns
	t_{PHL}		—	12	18	
Output enable time	t_{ZH}		—	18	35	
	t_{ZL}		—	28	45	
Output disable time	t_{HZ}		$C_L = 5\text{pF}$, $R_L = 667\Omega$	—	—	
	t_{LZ}	—		—	35	

Note) Refer to Test Circuit and Waveform of the Common Item

HD74LS373 ● Octal D-type Transparent Latches (with three-state outputs)

The HD74LS373, 8-bit register features totem-pole three-state outputs designed specifically for driving highly-capacitive or relatively low-impedance loads. The high-impedance third state and increased high-logic-level drive provide this register with the capacity of being connected directly to and driving the bus lines in a bus-organized system without need for interface or pull-up components. They are particularly attractive for implementing buffer registers, I/O ports, bidirectional bus drivers, and working registers.

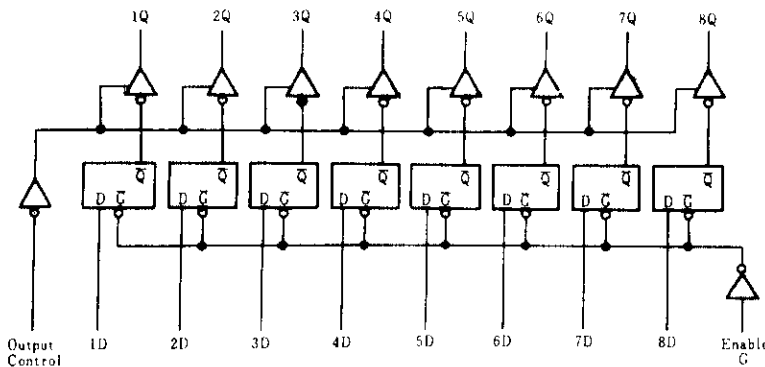
The eight latches are transparent D-type latches meaning that while the enable (G) is high the Q outputs will follow the data (D) inputs. When the enable is taken low the output will be latched at the level of the data that was setup.

FUNCTION TABLE

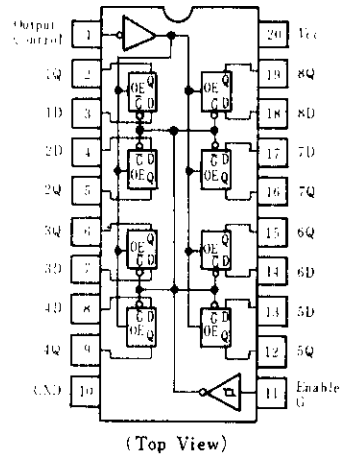
Inputs			Output
Output control	Enable G	D	Q
L	H	H	H
L	H	L	L
L	L	X	Q ₀
H	X	X	Z

Notes: H = high level, L = low level,
X = irrelevant
Q₀ = level of Q before the indicated steady-state input conditions were established.
Z = off (high-impedance) state of a three-state output

BLOCK DIAGRAM



PIN ARRANGEMENT



RECOMMENDED OPERATING CONDITIONS

Item	Symbol	min	typ	max	Unit
Supply voltage	V _{CC}	4.75	5.00	5.25	V
Output voltage	V _{OH}	—	—	5.5	V
Output current	I _{OH}	—	—	-2.6	mA
	I _{OL}	—	—	24	mA
Enable pulse width	"H" level	t _w	15	—	ns
	"L" level	t _w	15	—	
Data setup time	t _{su}	5 ↓	—	—	ns
Data hold time	t _h	25 ↓	—	—	ns

Note) ↓ : The arrow indicates the falling edge of clock pulse.

■ ELECTRICAL CHARACTERISTICS ($T_a = -20 \sim +75^\circ\text{C}$)

Item	Symbol	Test Conditions	min	typ*	max	Unit
Input voltage	V_{IH}		2.0	—	—	V
	V_{IL}	Data inputs G, Output control inputs	—	—	0.7	V
Output voltage	V_{OH}	$V_{CC} = 4.75\text{V}$, $V_{IH} = 2\text{V}$, $V_{IL} = V_{IL\text{max}}$, $I_{OH} = -2.6\text{mA}$	2.4	—	—	V
	V_{OL}	$V_{CC} = 4.75\text{V}$, $V_{IH} = 2\text{V}$, $V_{IL} = V_{IL\text{max}}$	—	—	0.4	V
Off-state output current	I_{OZH}	$V_{CC} = 5.25\text{V}$, $V_{IH} = 2\text{V}$	$V_O = 2.7\text{V}$	—	20	μA
	I_{OZL}		$V_O = 0.4\text{V}$	—	-20	
Input current	I_{IH}	$V_{CC} = 5.25\text{V}$, $V_I = 2.7\text{V}$	—	—	20	μA
	I_{IL}	$V_{CC} = 5.25\text{V}$, $V_I = 0.4\text{V}$	—	—	-0.4	mA
	I_I	$V_{CC} = 5.25\text{V}$, $V_I = 7\text{V}$	—	—	0.1	mA
Short-circuit output current	I_{OS}	$V_{CC} = 5.25\text{V}$	-30	—	-130	mA
Supply current	I_{CC}	$V_{CC} = 5.25\text{V}$, $V_I = 4.5\text{V}$ (Output control)	—	24	40	mA
Input clamp voltage	V_{IK}	$V_{CC} = 4.75\text{V}$, $I_{IK} = -18\text{mA}$	—	—	-1.5	V

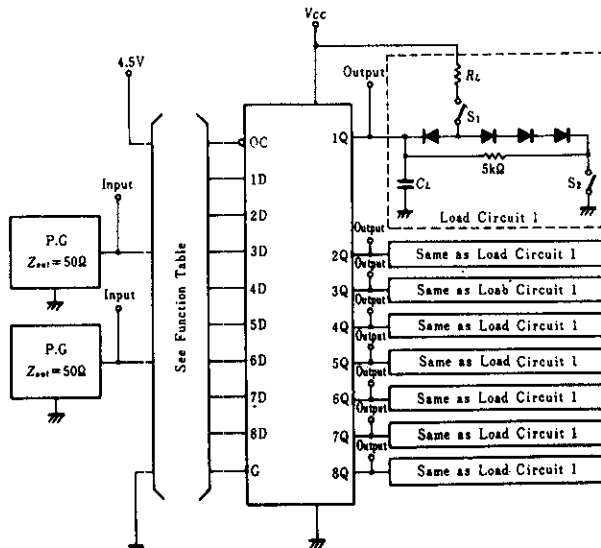
* $V_{CC} = 5\text{V}$, $T_a = 25^\circ\text{C}$

■ SWITCHING CHARACTERISTICS ($V_{CC} = 5\text{V}$, $T_a = 25^\circ\text{C}$)

Item	Symbol	Input	Output	Test Conditions	min	typ	max	Unit
Propagation delay time	t_{PLH}	D	Q	$C_L = 45\text{pF}$ $R_L = 667\Omega$	—	12	18	ns
	t_{PHL}				—	12	18	
	t_{PLH}	G	Q		—	20	30	
	t_{PHL}				—	18	30	
Output enable time	t_{ZH}	OC	Q	$C_L = 5\text{pF}$ $R_L = 667\Omega$	—	15	28	
	t_{ZL}				—	25	36	
Output disable time	t_{HZ}	OC	Q	$C_L = 5\text{pF}$ $R_L = 667\Omega$	—	12	20	
	t_{LZ}				—	15	25	

■ TESTING METHOD

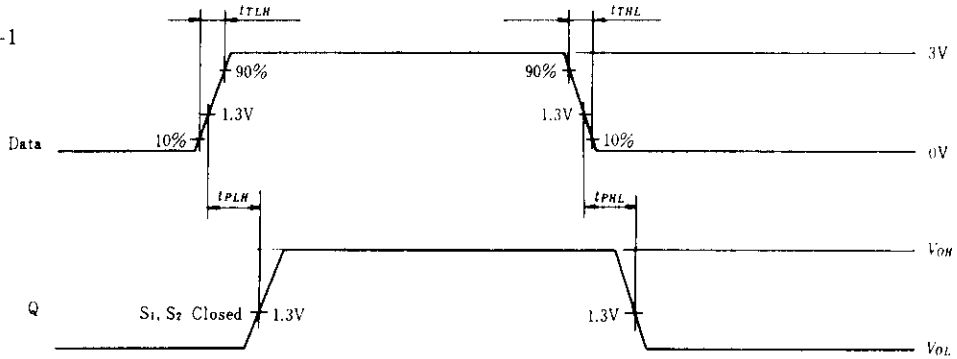
Test Circuit



Notes: 1. C_L includes probe jig capacitance.
2. All diodes are 1S2074 (H).

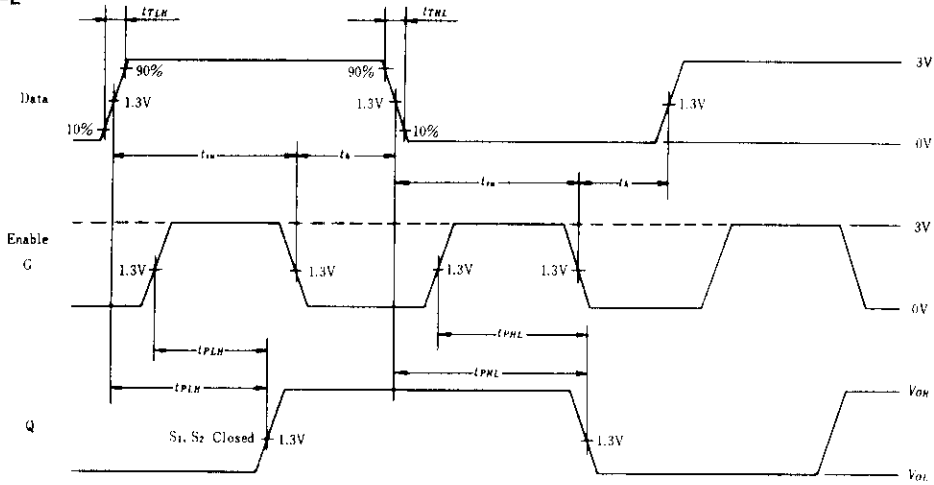
HD74LS373

Waveform-1



Notes: Input pulse; $t_{TLH} \leq 15\text{ns}$, $t_{THL} \leq 6\text{ns}$, $PRR = 1\text{MHz}$, duty cycle 50%

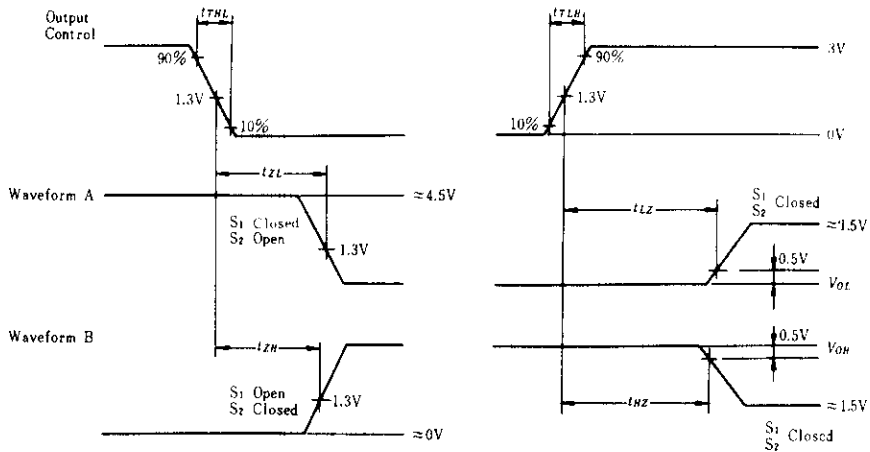
Waveform-2



Note: Enable input pulse; $t_{TLH} \leq 15\text{ns}$,
 $t_{THL} \leq 6\text{ns}$,
 $PRR = 1\text{MHz}$

Data input pulse; $t_{TLH} \leq 15\text{ns}$,
 $t_{THL} \leq 6\text{ns}$,
 $PRR = 1\text{MHz}$,
G input is high.

Waveform-3

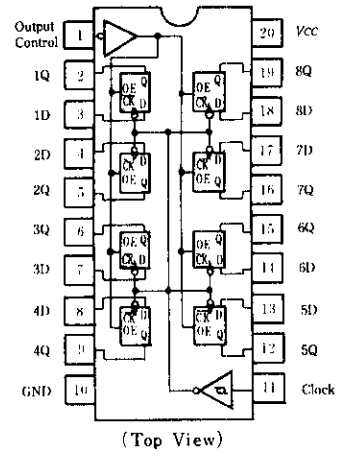


- Notes:
1. Input pulse; $t_{TLH} \leq 15\text{ns}$, $t_{THL} \leq 6\text{ns}$, $PRR = 1\text{MHz}$, duty cycle 50%
 2. Waveform A if for an output with internal conditions such that the output is low except when disabled by the output control. Waveform B is for an output with internal conditions such that the output is high except when disabled by the output control.

HD74LS374 ● Octal D-type Edge-triggered Flip-Flops (with three-state outputs)

The HD74LS374, 8-bit registers features totem-pole three-state outputs designed specifically for driving highly-capacitive or relatively low-impedance loads. The high-impedance third state and increased high-logic-level drive provide this register with the capability of being connected directly to and driving the bus lines in a bus-organized system without need for interface or pull-up components. They are particularly attractive for implementing buffer registers, I/O ports, bidirectional bus drivers, and working registers. The eight flip-flops are edge-triggered D-type flip-flops. On the positive transition the clock, the Q outputs will be set to the logic states that were setup at the D inputs.

■ PIN ARRANGEMENT

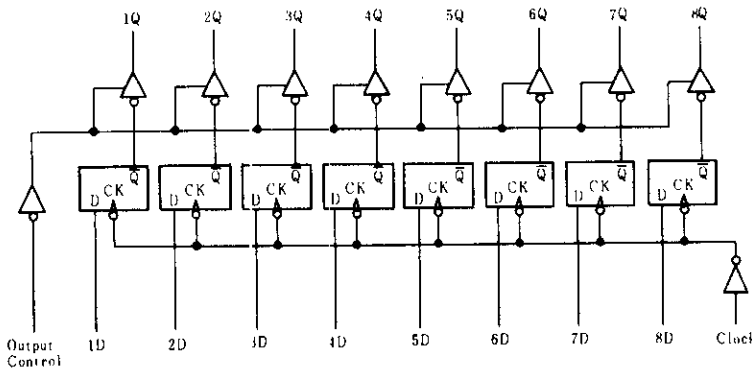


■ FUNCTION TABLE

Output control	Inputs		Output
	Clock	D	Q
L	↑	H	H
L	↑	L	L
L	L	X	Q_0
H	X	X	Z

Notes: H = high level, L = low level, X = irrelevant
 ↑ = transition from low to high level
 Q_0 = level of Q before the indicated steady-state input conditions were established
 Z = off (high-impedance) state of a three-state output

■ BLOCK DIAGRAM



■ RECOMMENDED OPERATING CONDITION

Item	Symbol	min	typ	max	Unit
Supply voltage	V_{CC}	4.75	5.00	5.25	V
Output voltage	V_{OH}	—	—	5.5	V
Output current	I_{OH}	—	—	-2.6	mA
	I_{OL}	—	—	24	mA
Clock pulse width	"H" level	t_w	15	—	ns
	"L" level	t_w	15	—	
Data setup time	t_{su}	20 ↑	—	—	ns
Data hold time	t_h	3 ↑	—	—	ns

Note) ↑ : The arrow indicates the rising edge of clock pulse.

HD74LS374

■ ELECTRICAL CHARACTERISTICS ($T_a = -20 \sim +75^\circ\text{C}$)

Item	Symbol	Test Conditions	min	typ*	max	Unit	
Input voltage	V_{IH}		2.0	—	—	V	
	V_{IL}		—	—	0.8	V	
Output voltage	V_{OH}	$V_{CC}=4.75\text{V}, V_{IH}=2\text{V}, V_{IL}=0.8\text{V}, I_{OH}=-2.6\text{mA}$	2.4	—	—	V	
	V_{OL}	$V_{CC}=4.75\text{V}, V_{IH}=2\text{V}, V_{IL}=0.8\text{V}$					
Off-state output current	I_{OZH}	$V_{CC}=5.25\text{V}, V_{IH}=2\text{V}$	$I_{OL}=12\text{mA}$	—	—	0.4	V
	I_{OZL}		$I_{OL}=24\text{mA}$	—	—	0.5	
Input current	I_{IH}	$V_{CC}=5.25\text{V}, V_i=2.7\text{V}$	—	—	20	μA	
	I_{IL}	$V_{CC}=5.25\text{V}, V_i=0.4\text{V}$	—	—	-0.4		
	I_i	$V_{CC}=5.25\text{V}, V_i=7\text{V}$	—	—	0.1		
Short-circuit output current	I_{OS}	$V_{CC}=5.25\text{V}$	-30	—	-130	mA	
Supply current	I_{CC}	$V_{CC}=5.25\text{V}, V_i=4.5\text{V}$ (Output control)	—	27	40	mA	
Input clamp voltage	V_{IK}	$V_{CC}=4.75\text{V}, I_{IN}=-18\text{mA}$	—	—	-1.5	V	

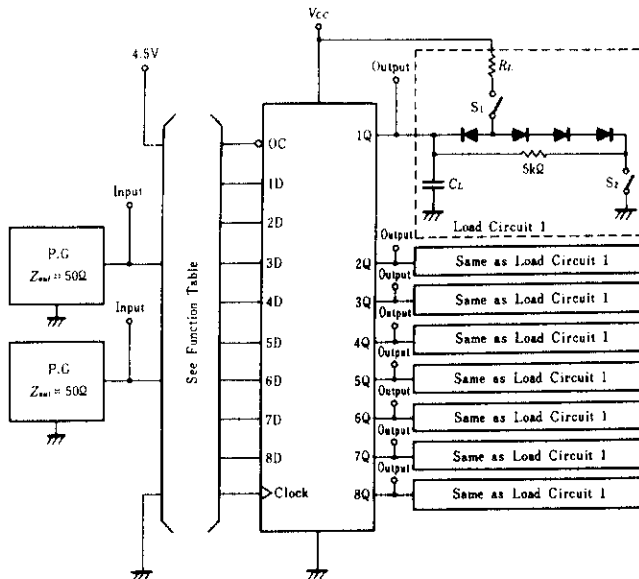
* $V_{CC}=5\text{V}, T_a=25^\circ\text{C}$

■ SWITCHING CHARACTERISTICS ($V_{CC}=5\text{V}, T_a=25^\circ\text{C}$)

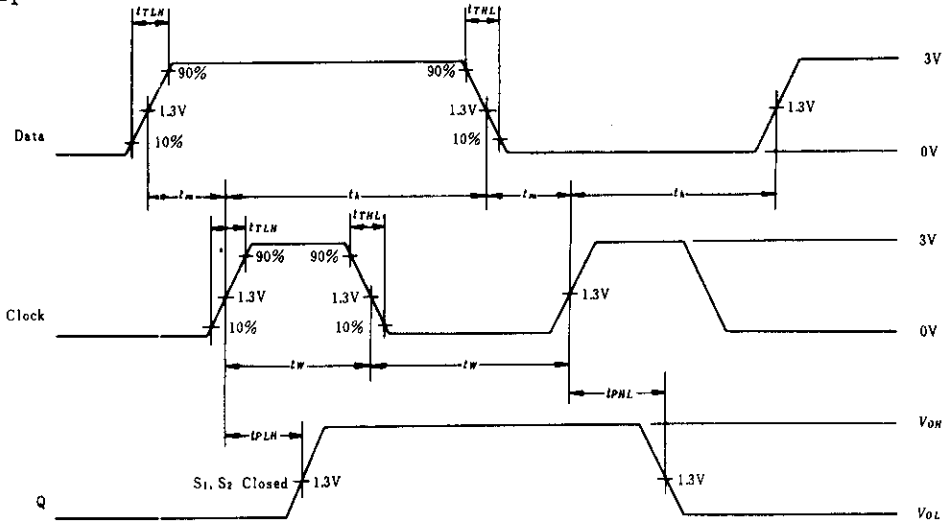
Item	Symbol	Inputs	Outputs	Test Conditions	min	typ	max	Unit	
Maximum clock frequency	f_{max}	Clock	Q		35	50	—	MHz	
Propagation delay time	t_{PLH}	Clock	Q	$C_L=45\text{pF}$ $R_L=667\Omega$	—	15	28	ns	
	t_{PHL}				—	19	28		
Output enable time	t_{ZH}	OC	Q		$C_L=5\text{pF}$ $R_L=667\Omega$	—	20		28
	t_{ZL}					—	21		28
Output disable time	t_{H2}	OC	Q	$C_L=5\text{pF}$ $R_L=667\Omega$		—	12	20	
	t_{L2}					—	14	25	

■ TESTING METHOD

Test Circuit

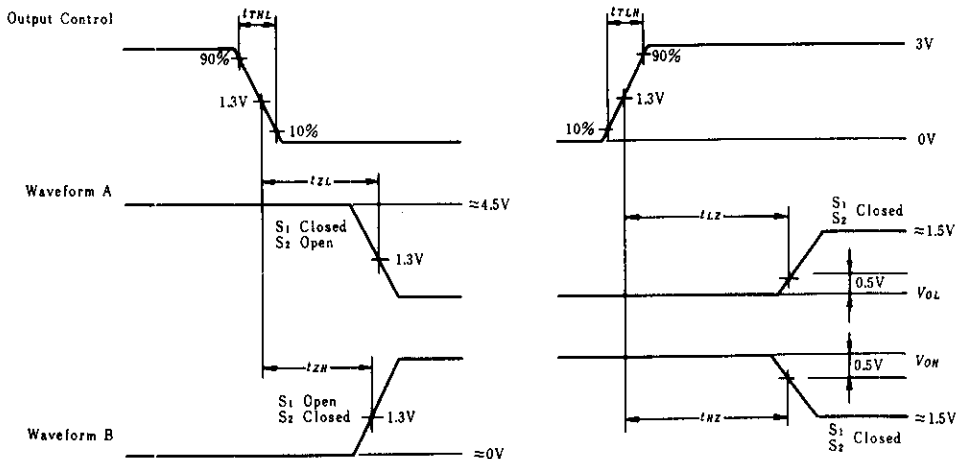


Waveform-1



- Notes:
1. Input pulse; $t_{TLH} = 15\text{ns}$, $t_{THL} = 6\text{ns}$
 Clock input; $PRR = 1\text{MHz}$, duty cycle 50%
 Data input; $PRR = 500\text{kHz}$, duty cycle 50%
 2. f_{max} ; $t_{TLH} = 2.5\text{ns}$, $t_{THL} = 2.5\text{ns}$

Waveform-2

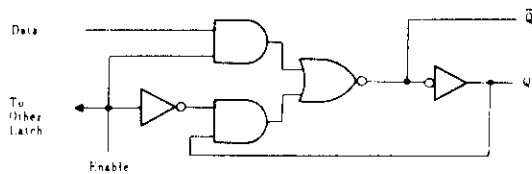


- Notes:
1. Input pulse; $t_{TLH} = 15\text{ns}$, $t_{THL} = 6\text{ns}$, $PRR = 1\text{MHz}$, duty cycle 50%
 2. Waveform A is for an output with internal conditions such that the output is low except when disabled by the output control. Waveform B is for an output with internal conditions such that the output is high except when disabled by the output control.

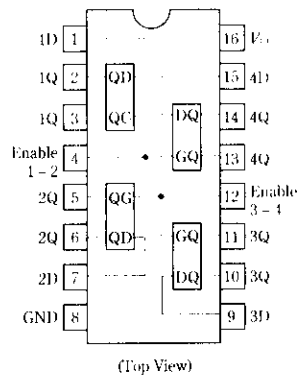
HD74LS375 ● Quadruple Bistable Latches

The HD74LS375 bistable latch is electrically and functionally identical to the HD74LS75, respectively. Only the arrangement of the terminals has been changed in the HD74LS375. This latch is ideally suited for use as temporary storage for binary information between processing units and input/output or indicator units. Information present at a data (D) input is transferred to the Q output when the enable (G) is high and the Q output will follow the data input as long as the enable remains high. When the enable goes low, the information (that was present at the data input at the time the transition occurred) is retained at the Q output until the enable goes high.

■ BLOCK DIAGRAM (1/4)



■ PIN ARRANGEMENT



■ FUNCTION TABLE

Inputs		Outputs	
D	G	Q	\bar{Q}
L	H	L	H
H	H	H	L
X	L	Q_0	\bar{Q}_0

Notes) H; high level, L; low level, X; irrelevant
 Q_0 level of Q before the indicated steady-state input conditions were established.
 \bar{Q}_0 complement of Q_0 or level of \bar{Q} before the indicated steady-state input conditions were established.

■ RECOMMENDED OPERATING CONDITIONS

Item	Symbol	min	typ	max	Unit
Pulse width	t_w	20	—	—	ns
Setup time	t_{su}	20	—	—	ns
Hold time	t_h	5	—	—	ns

■ ELECTRICAL CHARACTERISTICS ($T_a = -20 \sim +75^\circ\text{C}$)

Item	Symbol	Test Conditions	min	typ*	max	Unit	
Input voltage	V_{IH}		2.0	—	—	V	
	V_{IL}		—	—	0.8	V	
Output voltage	V_{OH}	$V_{CC}=4.75\text{V}, V_{IH}=2\text{V}, V_{IL}=0.8\text{V}, I_{OH}=-400\mu\text{A}$	2.7	—	—	V	
	V_{OL}	$V_{CC}=4.75\text{V}, V_{IH}=2\text{V}, V_{IL}=0.8\text{V}$					
Input current	I_{IH}	$V_{CC}=5.25\text{V}, V_I=2.7\text{V}$	D	—	—	20	μA
			G	—	—	80	
	I_{IL}	$V_{CC}=5.25\text{V}, V_I=0.4\text{V}$	D	—	—	-0.4	mA
			G	—	—	-1.6	
	I_I	$V_{CC}=5.25\text{V}, V_I=7\text{V}$	D	—	—	0.1	mA
			G	—	—	0.4	
Short-circuit output current	I_{OS}	$V_{CC}=5.25\text{V}$	-20	—	-100	mA	
Supply current **	I_{CC}	$V_{CC}=5.25\text{V}$	—	6.3	12	mA	
Input clamp voltage	V_{IK}	$V_{CC}=4.75\text{V}, I_{IH}=-18\text{mA}$	—	—	-1.5	V	

* $V_{CC}=5\text{V}, T_a=25^\circ\text{C}$

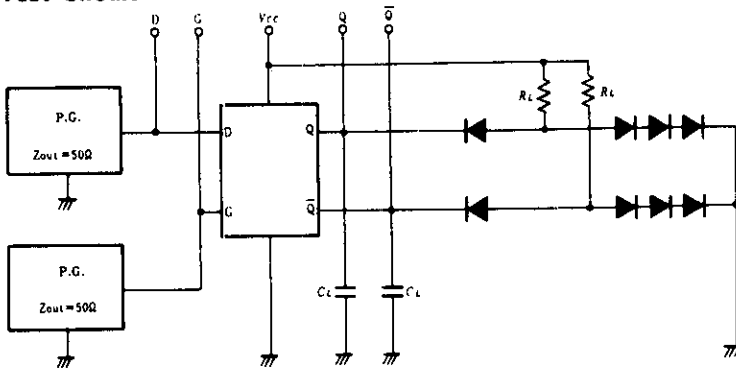
** I_{CC} is measured with all outputs open and all inputs grounded.

SWITCHING CHARACTERISTICS ($V_{CC}=5V$, $T_a=25^\circ C$)

Item	Symbol	Inputs	Outputs	Test Conditions	min	typ	max	Unit
Propagation delay time	t_{PLH}	D	Q	$R_L=2k\Omega$ $C_L=15pF$	—	15	27	ns
	t_{PHL}				—	9	17	
	t_{PLH}	D	\bar{Q}		—	12	20	
	t_{PHL}				—	7	15	
	t_{PLH}	G	Q		—	15	27	
	t_{PHL}				—	14	25	
	t_{PLH}	G	\bar{Q}		—	16	30	
	t_{PHL}				—	7	15	

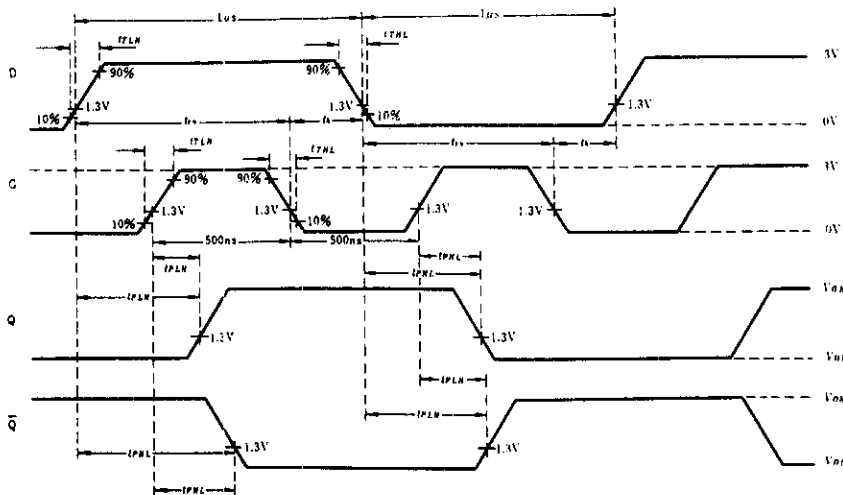
TESTING METHOD

1) Test Circuit



- Notes)
1. Test is put into the each latch.
 2. All diodes are 1S2074 (H).
 3. C_L includes probe and jig capacitance.

Waveform

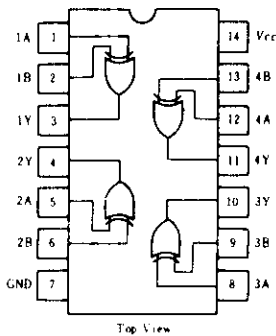


- Notes)
1. Input pulse: D input: $PRR=500kHz$, G input: $PRR=1MHz$, $t_{THL} \leq 10ns$, $t_{TLH} \leq 10ns$.
 2. When measuring propagation delay times from the D input, the corresponding G input must be held high.

HD74LS386

● Quadruple 2-input Exclusive-OR Gates

■ PIN ARRANGEMENT



■ FUNCTION TABLE

Inputs		Output
A	B	
L	L	L
L	H	H
H	L	H
H	H	L

H; high level, L; low level.

■ ELECTRICAL CHARACTERISTICS ($T_a = -20 \sim +75^\circ\text{C}$)

Item	Symbol	Test Conditions	min	typ*	max	Unit	
Input voltage	V_{IH}		2.0	—	—	V	
	V_{IL}		—	—	0.8	V	
Output voltage	V_{OH}	$V_{CC}=4.75\text{V}$, $V_{IH}=2\text{V}$, $V_{IL}=0.8\text{V}$, $I_{OH}=-400\mu\text{A}$	2.7	—	—	V	
	V_{OL}	$V_{CC}=4.75\text{V}$, $V_{IH}=2\text{V}$, $V_{IL}=0.8\text{V}$	$I_{OL}=4\text{mA}$	—	—	0.4	V
			$I_{OL}=8\text{mA}$	—	—	0.5	
Input current	I_{IH}	$V_{CC}=5.25\text{V}$, $V_i=2.7\text{V}$	—	—	40	μA	
	I_{IL}	$V_{CC}=5.25\text{V}$, $V_i=0.4\text{V}$	—	—	-0.8	mA	
	I_i	$V_{CC}=5.25\text{V}$, $V_i=7\text{V}$	—	—	0.2	mA	
Short-circuit output current	I_{OS}	$V_{CC}=5.25\text{V}$	-20	—	-100	mA	
Supply current**	I_{CC}	$V_{CC}=5.25\text{V}$	—	6.1	10	mA	
Input clamp voltage	V_{IK}	$V_{CC}=4.75\text{V}$, $I_{IK}=-18\text{mA}$	—	—	-1.5	V	

* $V_{CC}=5\text{V}$, $T_a=25^\circ\text{C}$

** I_{CC} is measured with all outputs open and all inputs grounded.

■ SWITCHING CHARACTERISTICS ($V_{CC}=5\text{V}$, $T_a=25^\circ\text{C}$)

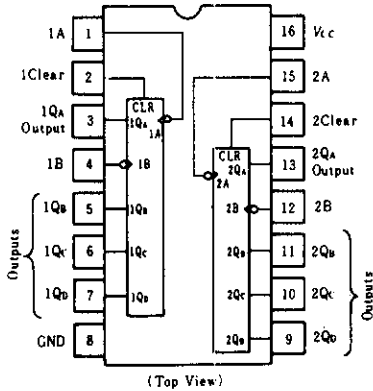
Item	Symbol	Inputs	Test Conditions	min	typ	max	Unit
Propagation delay time	t_{PLH}	A or B	Other inputs "L"	—	12	23	ns
	t_{PWL}			—	10	17	
	t_{PLH}	A or B	Other inputs "H"	—	20	30	ns
	t_{PWL}			—	13	22	

Note) Refer to Test Circuit and Waveform of the Common Item

HD74LS390 • Dual Decade Counters

This circuit contains eight master-slave flip-flops and additional gating to implement two individual four-bit counters. The HD74LS390 incorporates dual divide-by-two and divide-by-five counters, which can be used to implement cycle lengths equal to any whole and/or cumulative multiples of 2 and/or 5 up to divide-by-100. When connected as a bi-quinary counter, the separate divide-by-two circuit can be used to provide symmetry (a square wave) at the final output stage.

■ PIN ARRANGEMENT



■ RECOMMENDED OPERATING CONDITIONS

Item	Symbol	min	typ	max	Unit	
Output current	I_{OH}	—	—	-400	μA	
Output current	I_{OL}	—	—	8	mA	
Count frequency	Input A	f_{count}	0	—	25	MHz
	Input B		0	—	20	
Pulse width	Input A	t_w	20	—	—	ns
	Input B		25	—	—	
	Clear		20	—	—	
Setup time	t_{su}	25 ↓	—	—	ns	

↓; The arrow indicates that the falling edge of the clock pulse is used for reference.

■ FUNCTION TABLE

● BCD Count Sequence (Notes 1)

Count	Outputs			
	Q _D	Q _C	Q _B	Q _A
0	L	L	L	L
1	L	L	L	H
2	L	L	H	L
3	L	L	H	H
4	L	H	L	L
5	L	H	L	H
6	L	H	H	L
7	L	H	H	H
8	H	L	L	L
9	H	L	L	H

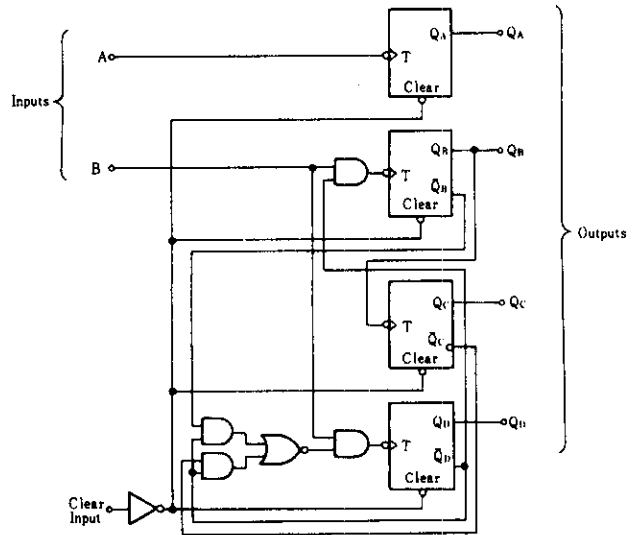
● Bi-Quinary (Notes 2)

Count	Outputs			
	Q _A	Q _D	Q _C	Q _B
0	L	L	L	L
1	L	L	L	H
2	L	L	H	L
3	L	L	H	H
4	L	H	L	L
5	H	L	L	L
6	H	L	L	H
7	H	L	H	L
8	H	L	H	H
9	H	H	L	L

Notes)

1. Output Q_A is connected to input B for BCD count.
2. Output Q_D is connected to input A for bi-quinary count.
3. H; high level, L; low level, X; irrelevant

■ BLOCK DIAGRAM (1/2)



■ ABSOLUTE MAXIMUM RATINGS

Item	Symbol	Ratings	Unit
Supply voltage	V_{CC}	7	V
		Clear	7
Input voltage	V_{IN}	5.5	V
		A, B	
Operating temperature range	T_{op}	-20 ~ +75	°C
Storage temperature range	T_{stg}	-65 ~ +150	°C

HD74LS390

■ ELECTRICAL CHARACTERISTICS ($T_a = -20 \sim +75^\circ\text{C}$)

Item	Symbol	Test Conditions	min	typ*	max	Unit
Input voltage	V_{IH}		2.0	—	—	V
	V_{IL}		—	—	0.8	V
Output voltage	V_{OH}	$V_{CC} = 4.75\text{V}$, $V_{IH} = 2\text{V}$, $V_{IL} = 0.8\text{V}$, $I_{OH} = -400\mu\text{A}$	2.7	—	—	V
	V_{OL}	$V_{CC} = 4.75\text{V}$, $V_{IH} = 2\text{V}$, $V_{IL} = 0.8\text{V}$				V
Input current	Clear		—	—	0.1	mA
	Input A	$V_{CC} = 5.25\text{V}$			0.2	
	Input B		$V_I = 5.5\text{V}$	—	—	0.4
	Clear		—	—	20	μA
	Input A	$V_{CC} = 5.25\text{V}$, $V_I = 2.7\text{V}$			100	
	Input B				200	
	Clear		—	—	0.4	mA
	Input A	$V_{CC} = 5.25\text{V}$, $V_I = 0.4\text{V}$			1.6	
	Input B				2.4	
	Short-circuit output current	I_{OS}	$V_{CC} = 5.25\text{V}$	-20	—	-100
Supply current	I_{CC}^{**}	$V_{CC} = 5.25\text{V}$	—	15	26	mA
Input clamp voltage	V_{IA}	$V_{CC} = 4.75\text{V}$, $I_{IS} = -18\text{mA}$	—	—	-1.5	V

* $V_{CC} = 5\text{V}$, $T_a = 25^\circ\text{C}$

** I_{CC} is measured with all outputs open, both clear inputs grounded following momentary connection to 4.5V, and all other inputs grounded.

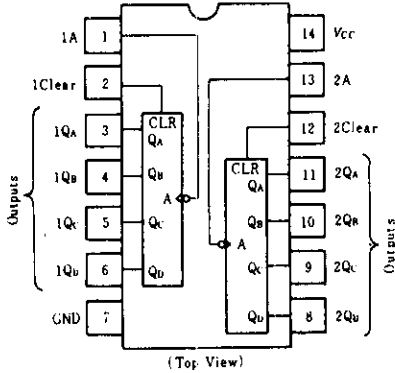
■ SWITCHING CHARACTERISTICS ($V_{CC} = 5\text{V}$, $T_a = 25^\circ\text{C}$)

Item	Symbol	Inputs	Outputs	Test Conditions	min	typ	max	Unit
Maximum count frequency	f_{max}	A	Q_A	$C_L = 15\text{pF}$, $R_L = 2\text{k}\Omega$	25	35	—	MHz
		B	Q_B		20	30	—	
Propagation delay time	t_{PLH}	A	Q_A		—	12	20	ns
					t_{PHL}	Q_A	—	
	t_{PLH}	A	Q_C				—	
					t_{PHL}	Q_C	—	
	t_{PLH}	B	Q_B				—	
					t_{PHL}	Q_B	—	
	t_{PLH}	B	Q_C				—	
					t_{PHL}	Q_C	—	
	t_{PLH}	B	Q_D	—			13	
				t_{PHL}	Q_D	—	14	
t_{PHL}	Clear	Any	—			24	39	

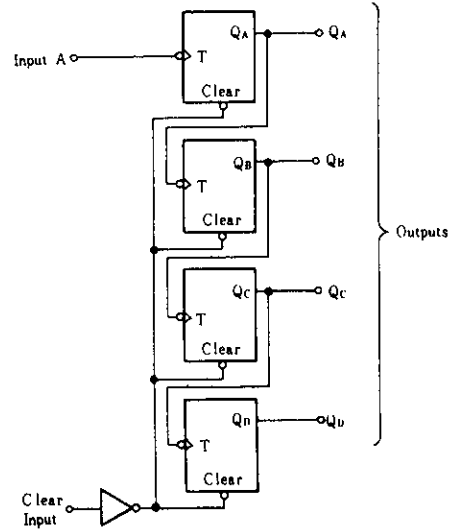
HD74LS393 ● Dual 4-bit Binary Counters

This circuit contains eight master-slave flip-flops and additional gating to implement two individual four-bit counters. The HD74LS393 comprises two independent four-bit binary counters each having a clear and a clock input. N-bit binary counter can be implemented with each package providing the capability of divide-by-256.

■ PIN ARRANGEMENT



■ BLOCK DIAGRAM (1/2)



■ RECOMMENDED OPERATING CONDITIONS

Item	Symbol	min	typ	max	Unit
Output current	I_{OH}	—	—	-400	μA
Output current	I_{OL}	—	—	8	mA
Count frequency	A input	f_{COUNT}	0	25	MHz
Pulse width	A input high or low	t_w	20	—	ns
	Clear high	t_w	20	—	ns
Setup time	t_{su}	25↓	—	—	ns

↓; The arrow indicates that the falling edge of the clock pulse is used for reference.

■ ABSOLUTE MAXIMUM RATINGS

Item	Symbol	Rating	Unit
Supply voltage	V_{CC}	7	V
Input voltage	Clear	7	V
	A	5.5	
Operating temperature range	T_{OP}	-20 ~ +75	°C
Storage temperature range	T_{STG}	-65 ~ +150	°C

■ FUNCTION TABLE

Count	Output			
	Q _D	Q _C	Q _B	Q _A
0	L	L	L	L
1	L	L	L	H
2	L	L	H	L
3	L	L	H	H
4	L	H	L	L
5	L	H	L	H
6	L	H	H	L
7	L	H	H	H
8	H	L	L	L
9	H	L	L	H
10	H	L	H	L
11	H	L	H	H
12	H	H	L	L
13	H	H	L	H
14	H	H	H	L
15	H	H	H	H

H; high level, L; low level.

HD74LS393

■ ELECTRICAL CHARACTERISTICS ($T_a = -20 \sim +75^\circ\text{C}$)

Item	Symbol	Test Conditions	min	typ*	max	Unit		
Input voltage	V_{IH}		2.0	—	—	V		
	V_{IL}		—	—	0.8			
Output voltage	V_{OH}	$V_{CC}=4.75\text{V}, V_{IH}=2\text{V}, V_{IL}=0.8\text{V}, I_{OH}=-400\mu\text{A}$	2.7	—	—	V		
	V_{OL}	$V_{CC}=4.75\text{V}, V_{IH}=2\text{V}, V_{IL}=0.8\text{V}$	$I_{OL}=4\text{mA}$	—	—	0.4	V	
			$I_{OL}=8\text{mA}$	—	—	0.5		
Input current	Clear	I_I	$V_{CC}=5.25\text{V}$	$V_I=7\text{V}$	—	—	0.1	mA
	Input A			$V_I=5.5\text{V}$	—	—	0.2	
	Clear	I_{IH}	$V_{CC}=5.25\text{V}, V_I=2.7\text{V}$		—	—	20	μA
	Input A				—	—	100	
	Clear	I_{IL}	$V_{CC}=5.25\text{V}, V_I=0.4\text{V}$		—	—	-0.4	mA
Input A				—	—	-1.6		
Short-circuit output current	I_{OS}	$V_{CC}=5.25\text{V}$	-20	—	-100	mA		
Supply current	I_{CC}^{**}	$V_{CC}=5.25\text{V}$	—	15	26	mA		
Input clamp voltage	V_{IK}	$V_{CC}=4.75\text{V}, I_{IH}=-18\text{mA}$	—	—	-1.5	V		

* $V_{CC}=5\text{V}, T_a=25^\circ\text{C}$

** I_{CC} is measured with all outputs open, both clear inputs grounded following momentary connection to 4.5V, and all other inputs grounded.

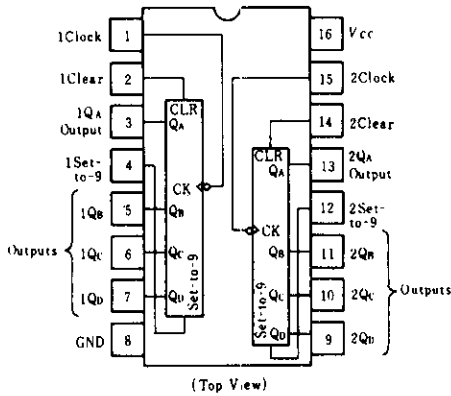
■ SWITCHING CHARACTERISTICS ($V_{CC}=5\text{V}, T_a=25^\circ\text{C}$)

Item	Symbol	Inputs	Outputs	Test Conditions	min	typ	max	Unit
Maximum count frequency	f_{max}	A	Q_A	$C_L=15\text{pF}, R_L=2\text{k}\Omega$	25	35	—	MHz
Propagation delay time	t_{PLH}	A	Q_A		—	12	20	ns
	t_{PHL}				—	13	20	
	t_{PLH}	A	Q_B		—	40	60	
	t_{PHL}				—	40	60	
	t_{PHL}	Clear	Any		—	24	39	

HD74LS490 • Dual 4-bit Decade Counters

This circuit contains eight master-slave flip-flops and additional gating to implement two individual 4-bit decade counters. Each decade counter has individual clock, clear, and set-to-9 inputs. BCD count sequences of any length up to divide-by-100 may be implemented with a single HD74LS490. Buffering on each output is provided to ensure that susceptibility to collector communication is reduced significantly. All inputs are diode-clamped to reduce the effects of line ringing. The counters have parallel outputs from each counter stage so that submultiples of the input count frequency are available for system timing signals.

■ PIN ARRANGEMENT



■ RECOMMENDED OPERATING CONDITIONS

Item	Symbol	min	typ	max	Unit
Output current	I_{OH}	—	—	-400	μA
Output current	I_{OL}	—	—	8	mA
Count frequency	f_{count}	0	—	25	MHz
Pulse width	t_W	20	—	—	ns
Setup time	t_{su}	25↓	—	—	ns

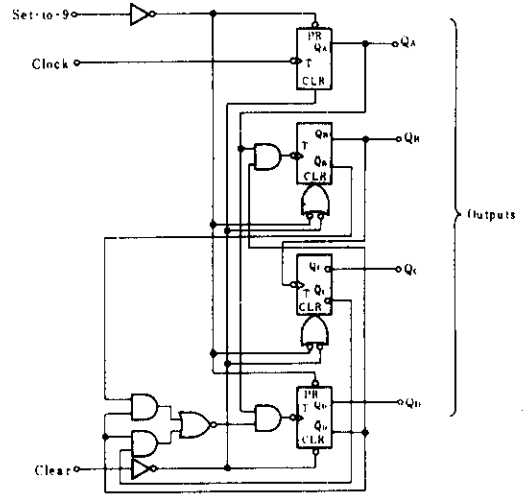
↓; The arrows indicates the falling edge from clock transition.

■ FUNCTION TABLE

● CLEAR/SET-TO-9

Inputs		Outputs			
CLEAR	SET-TO-9	Q _A	Q _B	Q _C	Q _D
H	L	L	L	L	L
L	H	H	L	L	H
L	L	Count			

■ BLOCK DIAGRAM (1/2)



■ ABSOLUTE MAXIMUM RATINGS

Item	Symbol	Rating	Unit
Supply voltage	V_{CC}	7.0	V
Input voltage	CLOCK	5.5	V
	CLEAR, SET-TO-9	7.0	
Operating temperature range	T_{op}	-20 ~ +75	°C
Storage temperature range	T_{stg}	-65 ~ +125	°C

● BCD Count Sequence

Count	Outputs			
	Q _D	Q _C	Q _B	Q _A
0	L	L	L	L
1	L	L	L	H
2	L	L	H	L
3	L	L	H	H
4	L	H	L	L
5	L	H	L	H
6	L	H	H	L
7	L	H	H	H
8	H	L	L	L
9	H	L	L	H

HD74LS490

■ ELECTRICAL CHARACTERISTICS ($T_a = -20 \sim +75^\circ\text{C}$)

Item	Symbol	Test Conditions	min	typ*	max	Unit		
Input voltage	V_{IH}		2.0	—	—	V		
	V_{IL}		—	—	0.8	V		
Output voltage	V_{OH}	$V_{CC}=4.75\text{V}$, $V_{IH}=2\text{V}$, $V_{IL}=0.8\text{V}$, $I_{OH}=400\mu\text{A}$	2.7	—	—	V		
	V_{OL}	$V_{CC}=4.75\text{V}$, $V_{IH}=2\text{V}$, $V_{IL}=0.8\text{V}$	$I_{OL}=4\text{mA}$	—	—		0.4	
			$I_{OL}=8\text{mA}$	—	—		0.5	
Input current	Clear Set-to-9	I_{IH}	$V_{CC}=5.25\text{V}$, $V_I=2.7\text{V}$	—	—	20	μA	
	Clock			—	—	100		
	Clear Set-to-9	I_{IL}	$V_{CC}=5.25\text{V}$, $V_I=0.4\text{V}$	—	—	-0.4	mA	
	Clock			—	—	-1.6		
	Clear Set-to-9	I_I	$V_{CC}=5.25\text{V}$	$V_I=7\text{V}$	—	—	0.1	mA
	Clock			$V_I=5.5\text{V}$	—	—	0.2	
Short-circuit output current	I_{OS}	$V_{CC}=5.25\text{V}$	-20	—	-100	mA		
Supply current	I_{CC}^{**}	$V_{CC}=5.25\text{V}$	—	15	26	mA		
Input clamp voltage	V_{IK}	$V_{CC}=4.75\text{V}$, $I_{IH}=-18\text{mA}$	—	—	-1.5	V		

* $V_{CC}=5\text{V}$, $T_a=25^\circ\text{C}$

** I_{CC} is measured with all outputs open, both clear inputs grounded following momentary connection to 4.5V, and all other inputs grounded.

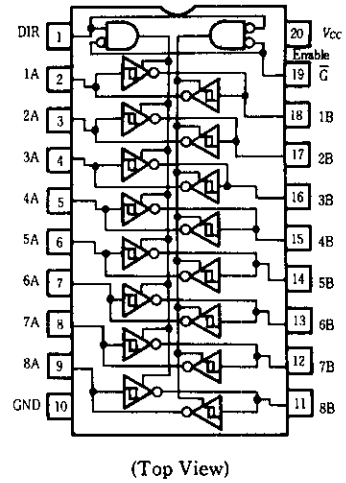
■ SWITCHING CHARACTERISTICS ($V_{CC}=5\text{V}$, $T_a=25^\circ\text{C}$)

Item	Symbol	Inputs	Outputs	Test Conditions	min	typ	max	Unit
Maximum count frequency	f_{max}	Clock	Q_A		25	35	—	MHz
Propagation delay time	t_{PLH}	Clock	Q_A	$C_L=15\text{pF}$, $R_L=2\text{k}\Omega$	—	12	20	ns
	t_{PHL}				—	13	20	
	t_{PLH}	Clock	Q_B , Q_D		—	24	39	
	t_{PHL}				—	26	39	
	t_{PLH}	Clock	Q_C		—	32	54	
	t_{PHL}				—	36	54	
	t_{PHL}	Clear	Any		—	24	39	
	t_{PLH}	Set-to-9	Q_A , Q_D		—	24	39	
	t_{PHL}				Q_B , Q_C	—	20	

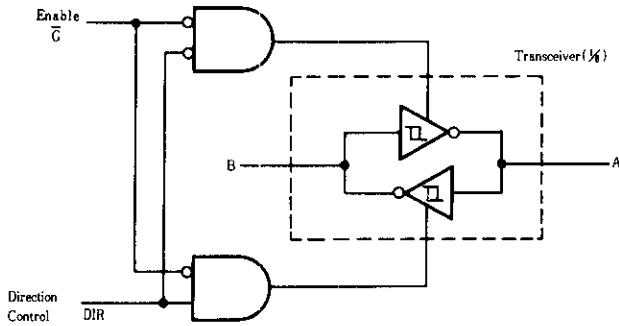
HD74LS640 ● Octal Bus Transceivers (inverted 3-state outputs)

This octal bus transceivers is designed for asynchronous two-way communication between data buses. The device transmit data from the A bus to the B bus or from the B bus to the A bus depending upon the level at the direction control (DIR) input. The enable input (\bar{G}) can be used to disable the device so that the buses are effectively isolated.

■ PIN ARRANGEMENT



■ BLOCK DIAGRAM



■ RECOMMENDED OPERATING CONDITIONS

Item	Symbol	min	typ	max	Unit
Supply voltage	V_{CC}	4.75	5.00	5.25	V
Output Current	I_{OH}	—	—	-15	mA
Output Current	I_{OL}	—	—	24	mA
Operating temperature range	T_{opr}	-20	25	75	°C

■ FUNCTION TABLE

Enable	Direction Control	Operation
\bar{G}	DIR	
L	L	\bar{B} data to A bus
L	H	\bar{A} data to B bus
H	X	Isolation

Notes) H; high level, L; low level, X; irrelevant

HD74LS640

■ ELECTRICAL CHARACTERISTICS ($T_a = -20 \sim +75^\circ\text{C}$)

Item	Symbol	Test Conditions	min	typ*	max	Unit	
Input voltage	V_{IH}		2.0			V	
	V_{IL}				0.8	V	
Hysteresis	$V_T^+ - V_T^-$	$V_{CC} = 4.75\text{V}$	0.2	--	--	V	
Output voltage	V_{OH}	$V_{CC} = 4.75\text{V}, V_{IH} = 2\text{V}, V_{IL} = 0.8\text{V}$	$I_{OH} = 3\text{mA}$	2.4			V
			$I_{OH} = -15\text{mA}$	2			V
	V_{OL}	$V_{CC} = 4.75\text{V}, V_{IH} = 2\text{V}, V_{IL} = 0.8\text{V}$	$I_{OL} = 12\text{mA}$	--		0.4	V
			$I_{OL} = 24\text{mA}$	--		0.5	V
Output current	I_{OZH}	$V_{CC} = 5.25\text{V}, \bar{G} \text{ INPUT} = 2\text{V}$	$V_O = 2.7\text{V}$	--		20	μA
	I_{OZL}		$V_O = 0.4\text{V}$	--		-400	μA
Input current	I_{IH}	$V_{CC} = 5.25\text{V}, V_I = 2.7\text{V}$	--		20	μA	
	I_{IL}	$V_{CC} = 5.25\text{V}, V_I = 0.4\text{V}$	--		-400	μA	
	A or B DIR or \bar{G}	I_I	$V_{CC} = 5.25\text{V}$	$V_I = 5.5\text{V}$	--		0.1
$V_I = 7\text{V}$				--		0.1	mA
Short-circuit output current	I_{OS**}	$V_{CC} = 5.25\text{V}$	-40		-225	mA	
Supply current	I_{CCH}	$V_{CC} = 5.25\text{V}, \text{OUTPUT OPEN}$		--	48	70	mA
	I_{CCL}			--	62	90	mA
	I_{CCZ}			--	64	95	mA
Input clamp voltage	V_{IK}	$V_{CC} = 4.75\text{V}, I_{IN} = -18\text{mA}$	--		-1.5	V	

* $V_{CC} = 5\text{V}, T_a = 25^\circ\text{C}$

** Not more than one output shall be shorted at a time.

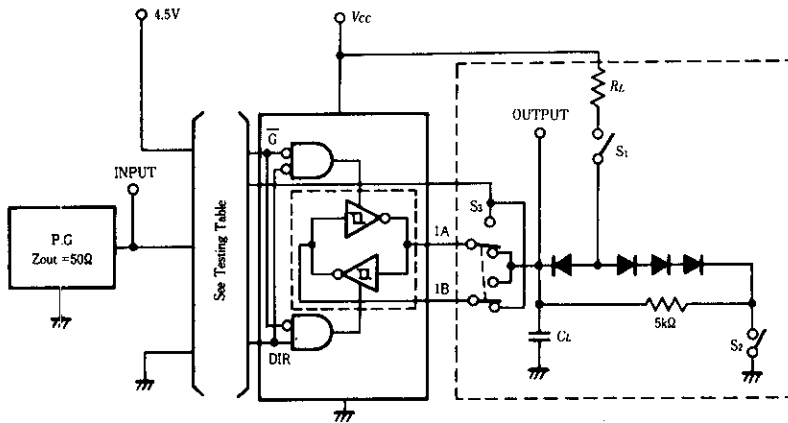
The duration of the short circuit shall not exceed one second.

■ SWITCHING CHARACTERISTICS ($V_{CC} = 5\text{V}, T_a = 25^\circ\text{C}$)

Item	Symbol	INPUT	OUTPUT	Test Conditions	min	typ	max	Unit
Propagation delay time	t_{PLH}	A	B	$C_L = 45\text{pF}, R_L = 667\ \Omega$	--	6	10	ns
		B	A		--	6	10	ns
	t_{PHL}	A	B		--	8	15	ns
		B	A		--	8	15	ns
Output enable time	t_{ZL}	\bar{G}	A		--	31	40	ns
		\bar{G}	B		--	31	40	ns
	t_{ZH}	\bar{G}	A		--	23	40	ns
		\bar{G}	B		--	23	40	ns
Output disable time	t_{LZ}	\bar{G}	A	$C_L = 5\text{pF}, R_L = 667\ \Omega$	--	15	25	ns
		\bar{G}	B		--	15	25	ns
	t_{HZ}	\bar{G}	A		--	15	25	ns
		\bar{G}	B		--	15	25	ns

TESTING METHOD

Test Circuit

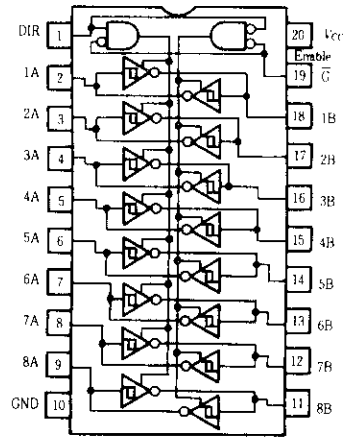


- Notes)
1. C_L includes probe and jig capacitance.
 2. All diodes are 1S2074 $\text{\textcircled{C}}$.
 3. 2A-2B, 3A-3B, 4A-4B, 5A-5B, 6A-6B, 7A-7B, 8A-8B are identical to above load circuit.
 4. S_2 is an input-output switch.

HD74LS640-1 ● Octal Bus Transceivers (inverted 3-state outputs)

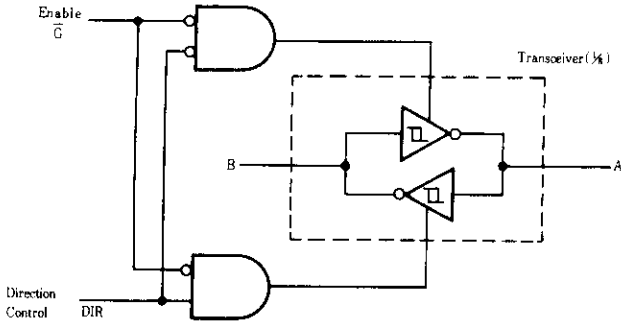
This octal bus transceivers is designed for asynchronous two-way communication between data buses. The device transmit data from the A bus to the B bus or from the B bus to the A bus depending upon the level at the direction control (DIR) input. The enable input (\bar{G}) can be used to disable the device so that the buses are effectively isolated.

■ PIN ARRANGEMENT



(Top View)

■ BLOCK DIAGRAM



■ RECOMMENDED OPERATING CONDITIONS

Item	Symbol	min	typ	max	Unit
Supply voltage	V_{CC}	4.75	5.00	5.25	V
Output Current	I_{OH}	—	—	-15	mA
Output Current	I_{OL}	—	—	48	mA
Operating temperature range	T_{opr}	-20	25	75	°C

■ FUNCTION TABLE

Enable \bar{G}	Direction Control DIR	Operation
L	L	\bar{B} data to A bus
L	H	A data to B bus
H	X	Isolation

Notes) H; high level, L; low level, X; irrelevant

■ ELECTRICAL CHARACTERISTICS ($T_a = -20 \sim +75^\circ\text{C}$)

Item	Symbol	Test Conditions	min	typ*	max	Unit		
Input voltage	V_{IH}		2.0	—		V		
	V_{IL}		—	—	0.8	V		
Hysteresis	$V_T^+ - V_T^-$	$V_{CC} = 4.75\text{V}$	0.2	—	—	V		
Output voltage	V_{OH}	$V_{CC} = 4.75\text{V}, V_{IH} = 2\text{V}, V_{IL} = 0.8\text{V}$	$I_{OH} = -3\text{mA}$	2.4	—	—	V	
			$I_{OH} = -15\text{mA}$	2	—	—	V	
	V_{OL}	$V_{CC} = 4.75\text{V}, V_{IH} = 2\text{V}, V_{IL} = 0.8\text{V}$	$I_{OL} = 12\text{mA}$	—	—	0.4	V	
			$I_{OL} = 24\text{mA}$	—	—	0.5	V	
Output current	I_{OZH}	$V_{CC} = 5.25\text{V}, \bar{G} \text{ INPUT} = 2\text{V}$	$V_O = 2.7\text{V}$	—	—	20	μA	
	I_{OZL}		$V_O = 0.4\text{V}$	—	—	-400	μA	
Input current	I_{IH}	$V_{CC} = 5.25\text{V}, V_I = 2.7\text{V}$		—	—	20	μA	
	I_{IL}	$V_{CC} = 5.25\text{V}, V_I = 0.4\text{V}$		—	—	-400	μA	
	A or B DIR or \bar{G}	I_I	$V_{CC} = 5.25\text{V}$	$V_I = 5.5\text{V}$	—	—	0.1	mA
				$V_I = 7\text{V}$	—	—	0.1	mA
Short-circuit output current	I_{OS**}	$V_{CC} = 5.25\text{V}$	-40	—	-225	mA		
Supply current	I_{CCH}	$V_{CC} = 5.25\text{V}, \text{OUTPUT OPEN}$	—	48	70	mA		
	I_{CCL}		—	62	90	mA		
	I_{CCZ}		—	64	95	mA		
Input clamp voltage	V_{IK}	$V_{CC} = 4.75\text{V}, I_{IN} = -18\text{mA}$	—	—	-1.5	V		

* $V_{CC} = 5\text{V}, T_a = 25^\circ\text{C}$

** Not more than one output shall be shorted at a time.
The duration of the short circuit shall not exceed one second.

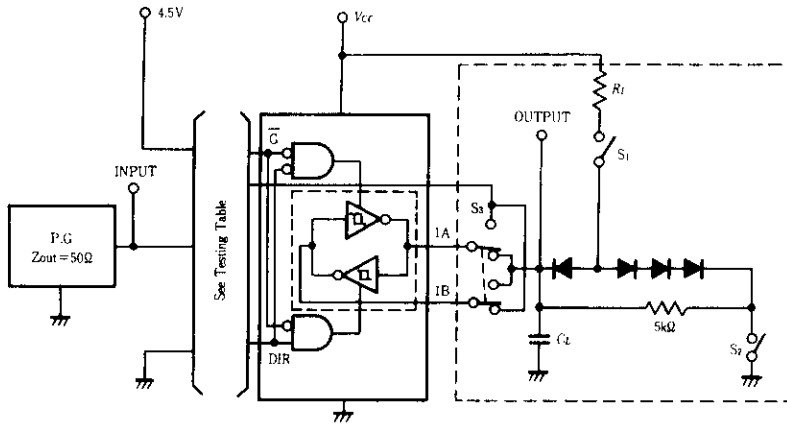
■ SWITCHING CHARACTERISTICS ($V_{CC} = 5\text{V}, T_a = 25^\circ\text{C}$)

Item	Symbol	INPUT	OUTPUT	Test Conditions	min	typ	max	Unit	
Propagation delay time	t_{PLH}	A	B	$C_L = 45\text{pF}, R_L = 667\ \Omega$	—	6	10	ns	
		B	A		—	6	10	ns	
	t_{PHL}	A	B		—	8	15	ns	
		B	A		—	8	15	ns	
Output enable time	t_{ZL}	G	A		$C_L = 5\text{pF}, R_L = 667\ \Omega$	—	31	40	ns
		G	B			—	31	40	ns
	t_{ZH}	G	A			—	23	40	ns
		G	B			—	23	40	ns
Output disable time	t_{LZ}	G	A	$C_L = 5\text{pF}, R_L = 667\ \Omega$		—	15	25	ns
		G	B			—	15	25	ns
	t_{HZ}	G	A			—	15	25	ns
		G	B			—	15	25	ns

HD74LS640-1

TESTING METHOD

Test Circuit

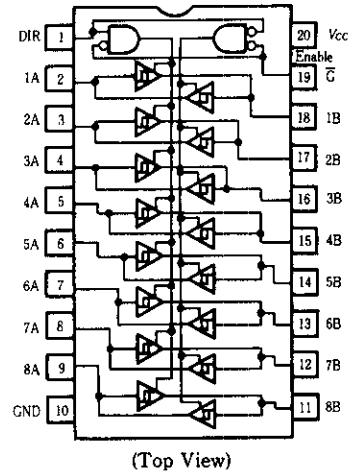


- Notes)
1. C_L includes probe and jig capacitance.
 2. All diodes are 1S2074 $\text{\textcircled{G}}$.
 3. 2A-2B, 3A-3B, 4A-4B, 5A-5B, 6A-6B, 7A-7B, 8A-8B are identical to above load circuit.
 4. S_2 is an input-output switch.

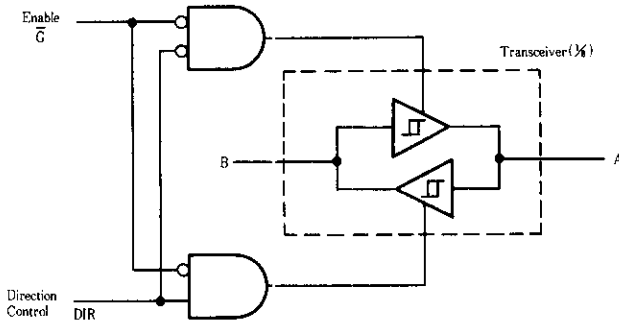
HD74LS641 ● Octal Bus Transceivers (non-inverted open-collector outputs)

This octal bus transceivers is designed for asynchronous two-way communication between data buses. The devices transmit data, from the A bus to the B bus or from the B bus to the A bus depending upon the level at the direction control (DIR) input. The enable input (\bar{G}) can be used to disable the device so that the buses are effectively isolated.

■ PIN ARRANGEMENT



■ BLOCK DIAGRAM



■ RECOMMENDED OPERATING CONDITIONS

Item	Symbol	min	typ	max	Unit
Supply voltage	V_{CC}	4.75	5.00	5.25	V
Output voltage	V_{OH}	—	—	5.5	V
Output current	I_{OL}	—	—	24	mA
Operating temperature range	T_{opr}	-20	25	75	°C

■ FUNCTION TABLE

Enable	Direction Control	Operation
\bar{G}	DIR	
L	L	B data to A bus
L	H	A data to B bus
H	X	Isolation

Notes) H; high level, L; low level, X; irrelevant

HD74LS641

■ ELECTRICAL CHARACTERISTICS ($T_a = -20 \sim +75^\circ\text{C}$)

Item	Symbol	Test Conditions	min	typ*	max	Unit		
Input voltage	V_{IH}		2.0			V		
	V_{IL}		---	---	0.8	V		
Hysteresis	$V_{T^+} - V_{T^-}$	$V_{CC} = 4.75\text{V}$	0.2	---	---	V		
Output current	I_{OH}	$V_{CC} = 4.75\text{V}, V_{IH} = 2\text{V}, V_{IL} = 0.8\text{V}, V_{OH} = 5.5\text{V}$	---	---	100	μA		
Output voltage	V_{OL}	$V_{CC} = 4.75\text{V}, V_{IH} = 2\text{V}, V_{IL} = 0.8\text{V}$	$I_{OL} = 12\text{mA}$	---	0.4	V		
			$I_{OL} = 24\text{mA}$	---	0.5	V		
Input current	I_{IH}	$V_{CC} = 5.25\text{V}, V_I = 2.7\text{V}$	---	---	20	μA		
	I_{IL}	$V_{CC} = 5.25\text{V}, V_I = 0.4\text{V}$	---	---	-400	μA		
Supply current	I_{CC}	$V_{CC} = 5.25\text{V}$	$V_I = 5.5\text{V}$	---	48	70	mA	
				$V_I = 7\text{V}$	---	62	90	mA
					---	64	95	mA
Input clamp voltage	V_{IK}	$V_{CC} = 4.75\text{V}, I_{IN} = -18\text{mA}$	---	---	-1.5	V		

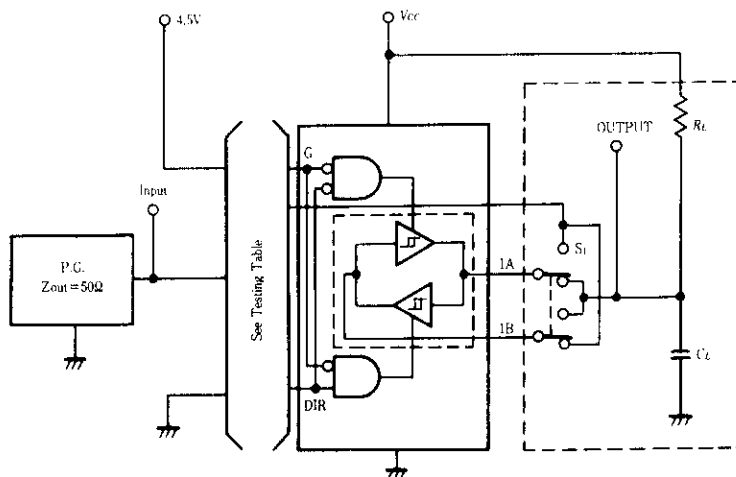
* $V_{CC} = 5\text{V}, T_a = 25^\circ\text{C}$

■ SWITCHING CHARACTERISTICS ($V_{CC} = 5\text{V}, T_a = 25^\circ\text{C}$)

Item	Symbol	INPUT	OUTPUT	Test Conditions	min	typ	max	Unit
Propagation delay time	t_{PLH}	A	B	$C_L = 45\text{pF}, R_L = 667\ \Omega$	---	17	25	ns
		B	A		---	17	25	ns
	t_{PHL}	A	B		---	16	25	ns
		B	A		---	16	25	ns
Output enable time	t_{PLH}	\bar{G}	A		---	23	40	ns
		G	B		---	25	40	ns
	t_{PHL}	\bar{G}	A		---	34	50	ns
		G	B		---	37	50	ns

■ TESTING METHOD

Test Circuit

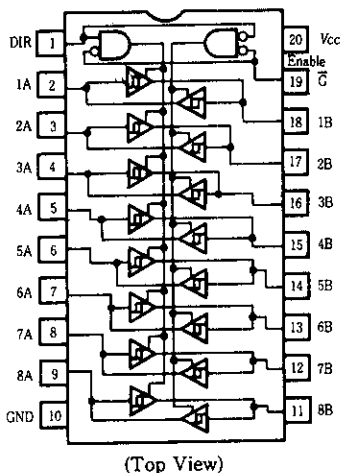


- Notes) 1. 2A-2B, 3A-3B, 4A-4B, 5A-5B, 6A-6B, 7A-7B, 8A-8B, are identical to above load circuit.
 2. C_L includes probe and jig capacitance.
 3. S_1 is a input-output switch.

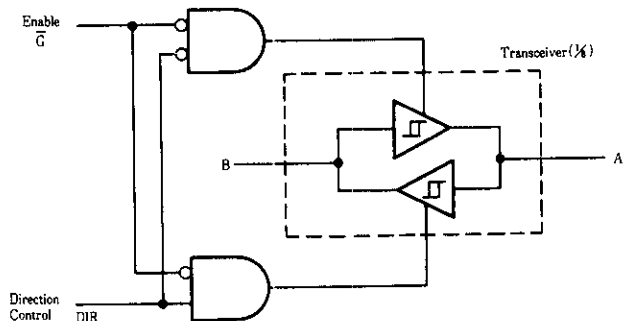
HD74LS641-1 ● Octal Bus Transceivers (non-inverted open-collector outputs)

This octal bus transceivers is designed for asynchronous two-way communication between data buses. The devices transmit data, from the A bus to the B bus or from the B bus to the A bus depending upon the level at the direction control (DIR) input. The enable input (\bar{G}) can be used to disable the device so that the buses are effectively isolated.

■ PIN ARRANGEMENT



■ BLOCK DIAGRAM



■ RECOMMENDED OPERATING CONDITIONS

Item	Symbol	min	typ	max	Unit
Supply voltage	V_{CC}	4.75	5.00	5.25	V
Output voltage	V_{OH}	—	—	5.5	V
Output current	I_{OL}	—	—	48	mA
Operating temperature range	T_{opr}	-20	25	75	°C

■ FUNCTION TABLE

Enable	Direction Control	Operation
\bar{G}	DIR	
L	L	B data to A bus
L	H	A data to B bus
H	X	Isolation

Notes) H; high level, L; low level, X; irrelevant

HD74LS641-1

■ ELECTRICAL CHARACTERISTICS ($T_a = -20 \sim +75^\circ\text{C}$)

Item	Symbol	Test Conditions	min	typ*	max	Unit	
Input voltage	V_{IH}		2.0	—	—	V	
	V_{IL}		—	—	0.8	V	
Hysteresis	$V_T^+ - V_T^-$	$V_{CC} = 4.75\text{V}$	0.2	—	—	V	
Output current	I_{OH}	$V_{CC} = 4.75\text{V}, V_{IH} = 2\text{V}, V_{IL} = 0.8\text{V}, V_{OH} = 5.5\text{V}$	—	—	100	μA	
Output voltage	V_{OL}	$V_{CC} = 4.75\text{V}, V_{IH} = 2\text{V}, V_{IL} = 0.8\text{V}$	$I_{OL} = 12\text{mA}$	—	—	0.4	V
			$I_{OL} = 24\text{mA}$	—	—	0.5	V
			$I_{OL} = 48\text{mA}$	—	—	0.5	V
Input current	I_{IH}	$V_{CC} = 5.25\text{V}, V_I = 2.7\text{V}$	—	—	20	μA	
	I_{IL}	$V_{CC} = 5.25\text{V}, V_I = 0.4\text{V}$	—	—	—400	μA	
	A or B	$V_{CC} = 5.25\text{V}$	$V_I = 5.5\text{V}$	—	—	0.1	mA
	DIR or \bar{G}		$V_I = 7\text{V}$	—	—	0.1	mA
Supply current	I_{CCH}	$V_{CC} = 5.25\text{V}, \text{output open}$	—	48	70	mA	
	I_{CCL}		—	62	90	mA	
	I_{CCZ}		—	64	95	mA	
Input clamp voltage	V_{IK}	$V_{CC} = 4.75\text{V}, I_{IN} = -18\text{mA}$	—	—	-1.5	V	

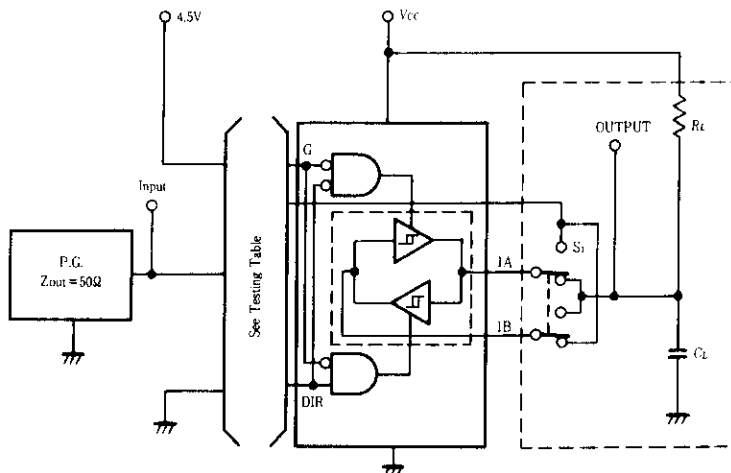
* $V_{CC} = 5\text{V}, T_a = 25^\circ\text{C}$

■ SWITCHING CHARACTERISTICS ($V_{CC} = 5\text{V}, T_a = 25^\circ\text{C}$)

Item	Symbol	INPUT	OUTPUT	Test Conditions	min	typ	max	Unit
Propagation delay time	t_{PLH}	A	B	$C_L = 45\text{pF}, R_L = 667\ \Omega$	—	17	25	ns
		B	A		—	17	25	ns
	t_{PHL}	A	B		—	16	25	ns
		B	A		—	16	25	ns
Output enable time	t_{PLH}	\bar{G}	A		—	23	40	ns
		\bar{G}	B		—	25	40	ns
	t_{PHL}	\bar{G}	A		—	34	50	ns
		\bar{G}	B		—	37	50	ns

■ TESTING METHOD

Test Circuit

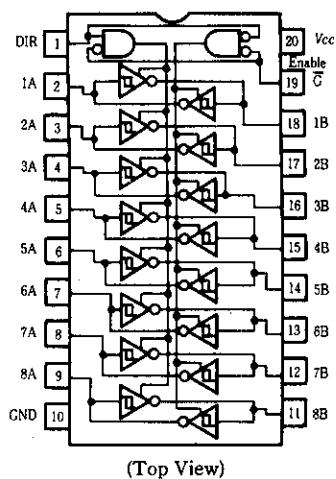


- Notes) 1. 2A-2B, 3A-3B, 4A-4B, 5A-5B, 6A-6B, 7A-7B, 8A-8B, are identical to above load circuit.
 2. C_L includes probe and jig capacitance.
 3. S_1 is a input-output switch.

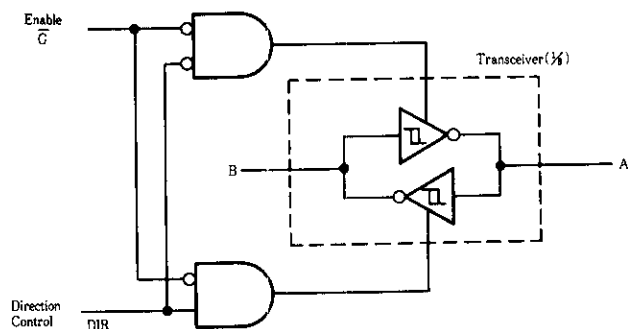
HD74LS642 ● Octal Bus Transceivers (inverted open-collector outputs)

This octal bus transceiver is designed for asynchronous two-way communication between data buses. The devices transmit data from the A bus to the B bus or from the B bus to the A bus depending upon the level at the direction control (DIR) input. The enable input (\bar{G}) can be used to disable the device so that the buses are effectively isolated.

■ PIN ARRANGEMENT



■ BLOCK DIAGRAM



■ RECOMMENDED OPERATING CONDITIONS

Item	Symbol	min	typ	max	unit
Output current	V_{CC}	4.75	5.00	5.25	V
Output voltage	V_{OH}	—	—	5.5	V
Output current	I_{OL}	—	—	24	mA
Operating temperature range	T_{opr}	-20	25	75	°C

■ FUNCTION TABLE

Enable \bar{G}	Direction Control DIR	Operation
L	L	\bar{B} data to A bus
L	H	\bar{A} data to B bus
H	X	Isolation

H; high level,
L; low level,
X; irrelevant

HD74LS642

■ ELECTRICAL CHARACTERISTICS ($T_a = -20 \sim +75^\circ\text{C}$)

Item	Symbol	Test Conditions	min	typ*	max	Unit	
Input voltage	V_{IH}		2.0		—	V	
	V_{IL}		—		0.8		
Hysteresis	$V_{T^+} - V_{T^-}$	$V_{CC} = 4.75\text{V}$	0.2	—	—	V	
Output current	I_{OH}	$V_{CC} = 4.75\text{V}$, $V_{IH} = 2\text{V}$, $V_{IL} = 0.8\text{V}$, $V_{OH} = 5.5\text{V}$			100	μA	
Output voltage	V_{OL}	$V_{CC} = 4.75\text{V}$, $V_{IH} = 2\text{V}$, $V_{IL} = 0.8\text{V}$	$I_{OL} = 12\text{mA}$		0.4	V	
			$I_{OL} = 24\text{mA}$		0.5		
Input current	I_{IH}	$V_{CC} = 5.25\text{V}$, $V_I = 2.7\text{V}$			20	μA	
	I_{IL}	$V_{CC} = 5.25\text{V}$, $V_I = 0.4\text{V}$			-400	μA	
Supply current**	I_{CCH}	$V_{CC} = 5.25\text{V}$			48	70	mA
	I_{CCL}				62	90	
	I_{CCZ}				64	95	
Input clamp voltage	V_{IK}	$V_{CC} = 4.75\text{V}$, $I_{IN} = -18\text{mA}$			-1.5	V	

* $V_{CC} = 5\text{V}$, $T_a = 25^\circ\text{C}$

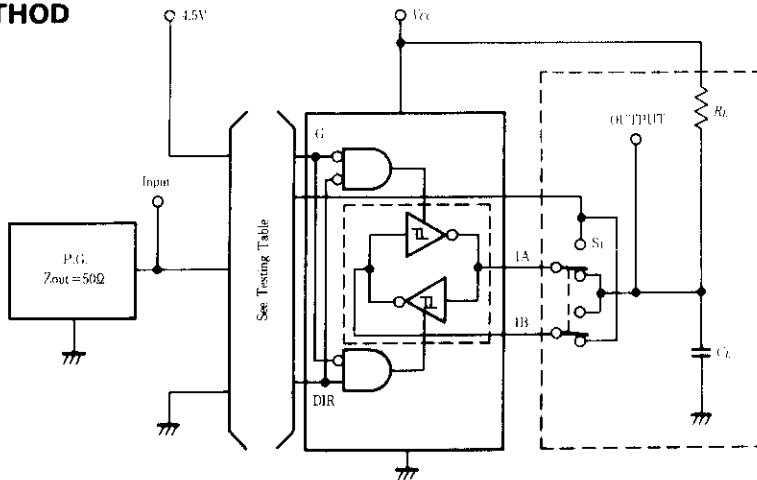
** I_{CC} is measured with all outputs open.

■ SWITCHING CHARACTERISTICS ($V_{CC} = 5\text{V}$, $T_a = 25^\circ\text{C}$)

Item	Symbol	Input	Output	Test Conditions	min	typ	max	Unit	
Propagation delay time	t_{PLH}	A	B	$C_L = 45\text{pF}$ $R_L = 667\ \Omega$	—	19	25	ns	
		B	A		—	19	25		
	t_{PHL}	A	B		—	14	25	ns	
		B	A		—	14	25		
Output enable time	t_{PLB}	G	A		$C_L = 45\text{pF}$ $R_L = 667\ \Omega$	—	26	40	ns
		G	B			—	28	40	
	t_{PHL}	G	A			—	43	60	ns
		G	B			—	39	60	

■ TESTING METHOD

Test Circuit

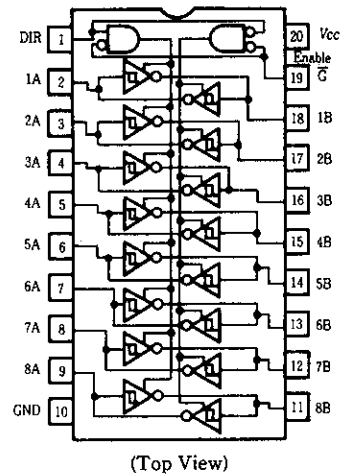


- Notes) 1. 2A-2B, 3A-3B, 4A-4B, 5A-5B, 6A-6B, 7A-7B, 8A-8B are identical to above load circuit.
 2. C_L includes probe and jig capacitance.
 3. S_1 is a input-output switch.

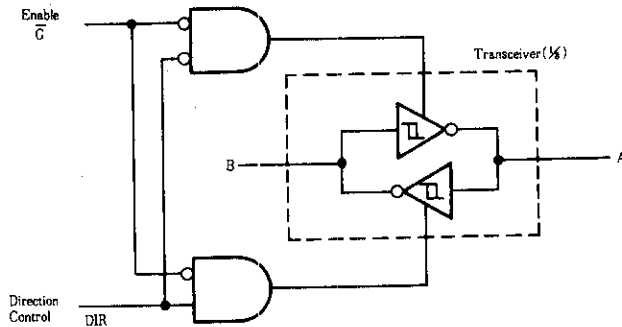
HD74LS642-1 ● Octal Bus Transceivers (inverted open-collector outputs)

This octal bus transceiver is designed for asynchronous two-way communication between data buses. The devices transmit data from the A bus to the B bus or from the B bus to the A bus depending upon the level at the direction control (DIR) input. The enable input (\bar{G}) can be used to disable the device so that the buses are effectively isolated.

■ PIN ARRANGEMENT



■ BLOCK DIAGRAM



■ RECOMMENDED OPERATING CONDITIONS

Item	Symbol	min	typ	max	unit
Output current	V_{CC}	4.75	5.00	5.25	V
Output voltage	V_{OH}	—	—	5.5	V
Output current	I_{OL}	—	—	48	mA
Operating temperature range	T_{opr}	-20	25	75	°C

■ FUNCTION TABLE

Enable \bar{G}	Direction Control DIR	Operation
L	L	\bar{B} data to A bus
L	H	\bar{A} data to B bus
H	X	Isolation

H; high level,
L; low level,
X; irrelevant

HD74LS642-1

■ ELECTRICAL CHARACTERISTICS ($T_a = -20 \sim +75^\circ\text{C}$)

Item	Symbol	Test Conditions	min	typ*	max	Unit	
Input voltage	V_{IH}		2.0	—	—	V	
	V_{IL}		—	—	0.8		
Hysteresis	$V_T^+ - V_T^-$	$V_{CC} = 4.75\text{V}$	0.2	—	—	V	
Output current	I_{OH}	$V_{CC} = 4.75\text{V}, V_{IH} = 2\text{V}, V_{IL} = 0.8\text{V}, V_{OH} = 5.5\text{V}$	—	—	100	μA	
Output voltage	V_{OL}	$V_{CC} = 4.75\text{V}, V_{IH} = 2\text{V}, V_{IL} = 0.8\text{V}$	$I_{OL} = 12\text{mA}$	—	—	0.4	V
			$I_{OL} = 24\text{mA}$	—	—	0.5	
			$I_{OL} = 48\text{mA}$	—	—	0.5	
Input current	I_{IH}	$V_{CC} = 5.25\text{V}, V_I = 2.7\text{V}$	—	—	20	μA	
	I_{IL}	$V_{CC} = 5.25\text{V}, V_I = 0.4\text{V}$	—	—	-400	μA	
A or B DIR or \bar{G}	I_I	$V_{CC} = 5.25\text{V}$	$V_I = 5.5\text{V}$	—	—	0.1	mA
			$V_I = 7\text{V}$	—	—	0.1	
Supply current**	I_{CCH}	$V_{CC} = 5.25\text{V}$	—	48	70	mA	
	I_{CCL}		—	62	90		
	I_{CCZ}		—	64	95		
Input clamp voltage	V_{IK}	$V_{CC} = 4.75\text{V}, I_{IK} = -18\text{mA}$	—	—	-1.5	V	

* $V_{CC} = 5\text{V}, T_a = 25^\circ\text{C}$

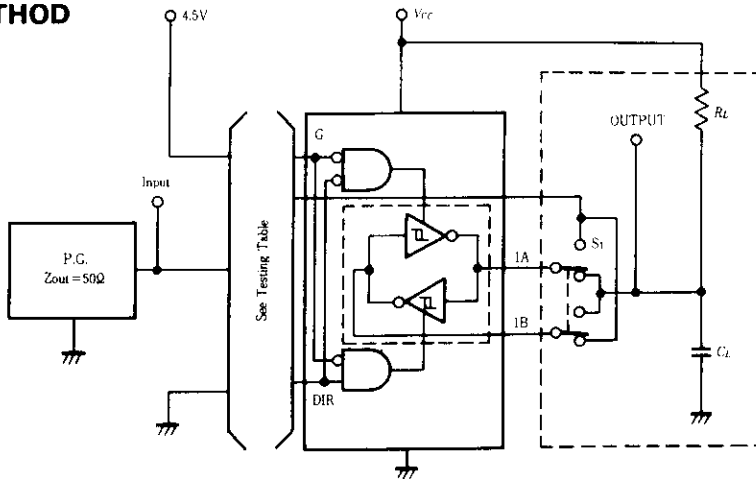
** I_{CC} is measured with all outputs open.

■ SWITCHING CHARACTERISTICS ($V_{CC} = 5\text{V}, T_a = 25^\circ\text{C}$)

Item	Symbol	Input	Output	Test Conditions	min	typ	max	Unit
Propagation delay time	t_{PLH}	A	B	$C_L = 45\text{pF}$ $R_L = 667\ \Omega$	—	19	25	ns
		B	A		—	19	25	
	t_{PHL}	A	B		—	14	25	ns
		B	A		—	14	25	
Output enable time	t_{PLH}	\bar{G}	A		—	26	40	ns
		\bar{G}	B		—	28	40	
	t_{PHL}	\bar{G}	A		—	43	60	ns
		\bar{G}	B		—	39	60	

■ TESTING METHOD

Test Circuit

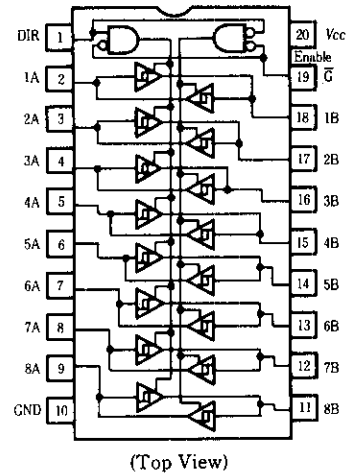


- Notes)
1. 2A-2B, 3A-3B, 4A-4B, 5A-5B, 6A-6B, 7A-7B, 8A-8B are identical to above load circuit.
 2. C_L includes probe and jig capacitance.
 3. S_1 is a input-output switch.

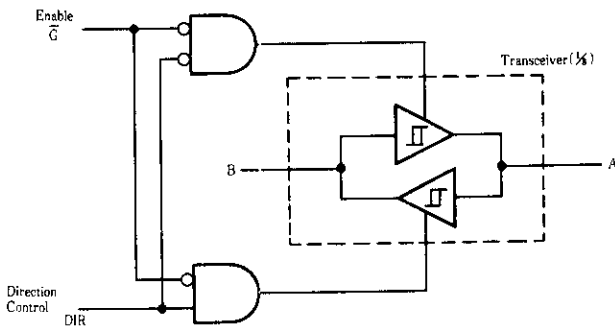
HD74LS645 ● Octal Bus Transceivers (non-inverted 3-state outputs)

This octal bus transceiver is designed for asynchronous two-way communication between data buses. The devices transmit data from the A bus to the B bus or from the B bus to the A bus depending upon the level at the direction control (DIR) input. The enable input (\bar{G}) can be used to disable the device so that the buses are effectively isolated.

■ PIN ARRANGEMENT



■ BLOCK DIAGRAM



■ RECOMMENDED OPERATING CONDITIONS

Item	Symbol	min	typ	max	unit
Supply voltage	V_{cc}	4.75	5.00	5.25	V
Output current	I_{OH}	—	—	-15	mA
Output current	I_{OL}	—	—	24	mA
Operating temperature range	T_{opr}	-20	25	75	°C

■ FUNCTIONAL TABLE

Enable \bar{G}	Direction Control DIR	Operation
L	L	B data to A bus
L	H	A data to B bus
H	X	Isolation

H; high level,
L; low level,
X; irrelevant

HD74LS645

■ ELECTRICAL CHARACTERISTICS ($T_a = -20 \sim +75^\circ\text{C}$)

Item	Symbol	Test Conditions		min	typ*	max	Unit
Input voltage	V_{IH}			2.0			V
	V_{IL}			—	—	0.8	
Hysteresis	$V_T^+ - V_T^-$	$V_{CC} = 4.75\text{V}$		0.2	—	—	V
Output voltage	V_{OH}	$V_{CC} = 4.75\text{V}, V_{IH} = 2\text{V},$ $V_{IL} = 0.8\text{V}$	$I_{OH} = -3\text{mA}$	2.4	—	—	V
			$I_{OH} = -15\text{mA}$	2	—	—	
	V_{OL}	$V_{CC} = 4.75\text{V}, V_{IH} = 2\text{V},$ $V_{IL} = 0.8\text{V}$	$I_{OL} = 12\text{mA}$	—	—	0.4	V
			$I_{OL} = 24\text{mA}$	—	—	0.5	
Output current	I_{OZH}	$V_{CC} = 5.25\text{V}$	$V_O = 2.7\text{V}$	—	—	20	μA
	I_{OZL}	\bar{G} input = 2V	$V_O = 0.4\text{V}$	—	—	-400	
Input current	I_{IH}	$V_{CC} = 5.25\text{V}, V_I = 2.7\text{V}$		—	—	20	μA
	I_{IL}	$V_{CC} = 5.25\text{V}, V_I = 0.4\text{V}$		—	—	-400	μA
A or B DIR or \bar{G}	I_I	$V_{CC} = 5.25\text{V}$	$V_I = 5.5\text{V}$	—	—	0.1	mA
			$V_I = 7\text{V}$	—	—	0.1	
Short-circuit output current	I_{OS}^{***}	$V_{CC} = 5.25\text{V}$		-40	—	-225	mA
Supply current **	I_{CCH}	$V_{CC} = 5.25\text{V}, \text{OUTPUT OPEN}$		—	48	70	mA
	I_{CCL}			—	62	90	
	I_{CCZ}			—	64	95	
Input clamp voltage	V_{IK}	$V_{CC} = 4.75\text{V}, I_{IN} = -18\text{mA}$		—	—	-1.5	V

* $V_{CC} = 5\text{V}, T_a = 25^\circ\text{C}$

** I_{CC} is measured with all outputs open.

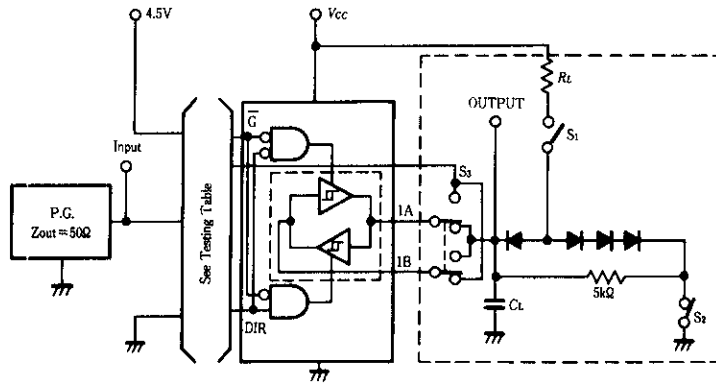
*** Not more than one output should be shorted at a time, duration of short-circuit should not exceed one second.

■ SWITCHING CHARACTERISTICS ($V_{CC} = 5\text{V}, T_a = 25^\circ\text{C}$)

Item	Symbol	Input	Output	Test Condition	min	typ	max	Unit	
Propagation delay time	t_{PLH}	A	B	$C_L = 45\text{pF},$ $R_L = 667\ \Omega$	—	8	15	ns	
		B	A		—	8	15	ns	
	t_{PHL}	A	B		—	11	15	ns	
		B	A		—	11	15	ns	
Output enable time	t_{ZL}	\bar{G}	A		$C_L = 5\text{pF},$ $R_L = 667\ \Omega$	—	31	40	ns
		\bar{G}	B			—	31	40	ns
	t_{ZH}	\bar{G}	A			—	26	40	ns
		\bar{G}	B			—	26	40	ns
Output disable time	t_{LZ}	\bar{G}	A	$C_L = 5\text{pF},$ $R_L = 667\ \Omega$		—	15	25	ns
		\bar{G}	B			—	15	25	ns
	t_{HZ}	\bar{G}	A			—	15	25	ns
		\bar{G}	B			—	15	25	ns

TESTING METHOD

Test Circuit

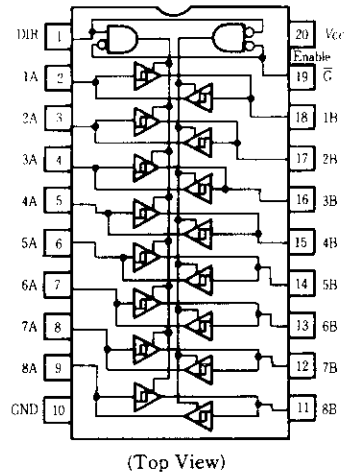


- Notes)
1. C_L includes probe and jig capacitance.
 2. All diodes are 1S2074 Ⓢ .
 3. 2A-2B, 3A-3B, 4A-4B, 5A-5B, 6A-6B, 7A-7B, 8A-8B are identical to above load circuit.
 4. S_3 is a input-output switch.

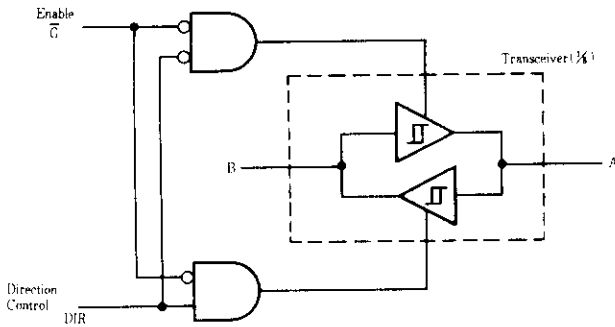
HD74LS645-1 ● Octal Bus Transceivers (non-inverted 3-state outputs)

This octal bus transceiver is designed for asynchronous two-way communication between data buses. The devices transmit data from the A bus to the B bus or from the B bus to the A bus depending upon the level at the direction control (DIR) input. The enable input (\bar{G}) can be used to disable the device so that the buses are effectively isolated.

■ PIN ARRANGEMENT



■ BLOCK DIAGRAM



■ RECOMMENDED OPERATING CONDITIONS

Item	Symbol	min	typ	max	unit
Supply voltage	V_{CC}	4.75	5.00	5.25	V
Output current	I_{OH}	—	—	-15	mA
Output current	I_{OL}	—	—	48	mA
Operating temperature range	T_{opr}	-20	25	75	°C

■ FUNCTIONAL TABLE

Enable \bar{G}	Direction Control DIR	Operation
L	L	B data to A bus
L	H	A data to B bus
H	X	Isolation

H; high level,
L; low level,
X; irrelevant

■ ELECTRICAL CHARACTERISTICS ($T_a = -20 \sim +75^\circ\text{C}$)

Item	Symbol	Test Conditions	min	typ*	max	Unit	
Input voltage	V_{IH}		2.0	—	—	V	
	V_{IL}		—	—	0.8		
Hysteresis	$V_{T^+} - V_{T^-}$	$V_{CC} = 4.75\text{V}$	0.2	—	—	V	
Output voltage	V_{OH}	$V_{CC} = 4.75\text{V}, V_{IH} = 2\text{V}, V_{IL} = 0.8\text{V}$	$I_{OH} = -3\text{mA}$	2.4	—	—	V
			$I_{OH} = -15\text{mA}$	2	—	—	
	V_{OL}	$V_{CC} = 4.75\text{V}, V_{IH} = 2\text{V}, V_{IL} = 0.8\text{V}$	$I_{OL} = 12\text{mA}$	—	—	0.4	V
			$I_{OL} = 24\text{mA}$	—	—	0.5	
$I_{OL} = 48\text{mA}$	—	—	0.5				
Output current	I_{OZH}	$V_{CC} = 5.25\text{V}$			20	μA	
	I_{OZL}	\bar{G} input = 2V	$V_O = 2.7\text{V}$				
Input current	I_{IH}	$V_{CC} = 5.25\text{V}, V_I = 2.7\text{V}$	—	—	20	μA	
	I_{IL}	$V_{CC} = 5.25\text{V}, V_I = 0.4\text{V}$	—	—	-400	μA	
	A or B DIR or \bar{G}	I_I	$V_{CC} = 5.25\text{V}$	$V_I = 5.5\text{V}$	—	0.1	mA
			$V_I = 7\text{V}$	—	0.1		
Short-circuit output current	I_{OS}^{***}	$V_{CC} = 5.25\text{V}$	-40	—	-225	mA	
Supply current**	I_{CCH}	$V_{CC} = 5.25\text{V}, \text{OUTPUT OPEN}$	—	48	70	mA	
	I_{CCL}		—	62	90		
	I_{CCZ}		—	64	95		
Input clamp voltage	V_{IK}	$V_{CC} = 4.75\text{V}, I_{IH} = -18\text{mA}$	—	—	-1.5	V	

* $V_{CC} = 5\text{V}, T_a = 25^\circ\text{C}$

** I_{CC} is measured with all outputs open.

*** Not more than one output should be shorted at a time, duration of short-circuit should not exceed one second.

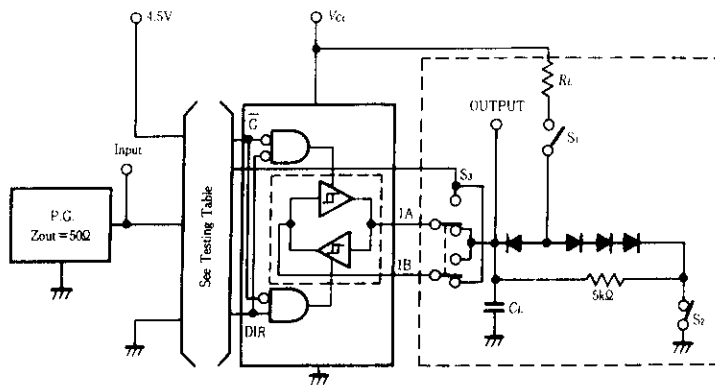
■ SWITCHING CHARACTERISTICS ($V_{CC} = 5\text{V}, T_a = 25^\circ\text{C}$)

Item	Symbol	Input	Output	Test Condition	min	typ	max	Unit
Propagation delay time	t_{PLH}	A	B	$C_L = 45\text{pF}, R_L = 667\ \Omega$	—	8	15	ns
		B	A		—	8	15	ns
	t_{PHL}	A	B		—	11	15	ns
		B	A		—	11	15	ns
Output enable time	t_{ZL}	\bar{G}	A		—	31	40	ns
		\bar{G}	B		—	31	40	ns
	t_{ZH}	\bar{G}	A		—	26	40	ns
		\bar{G}	B		—	26	40	ns
Output disable time	t_{LZ}	\bar{G}	A	$C_L = 5\text{pF}, R_L = 667\ \Omega$	—	15	25	ns
		\bar{G}	B		—	15	25	ns
	t_{HZ}	\bar{G}	A		—	15	25	ns
		\bar{G}	B		—	15	25	ns

HD74LS645-1

TESTING METHOD

Test Circuit



- Notes)
1. C_L includes probe and jig capacitance.
 2. All diodes are 1S2074 $\text{\textcircled{C}}$.
 3. 2A-2B, 3A-3B, 4A-4B, 5A-5B, 6A-6B, 7A-7B, 8A-8B are identical to above load circuit.
 4. S_2 is a input-output switch.

HD74LS668 • Synchronous Up/Down Decade Counters

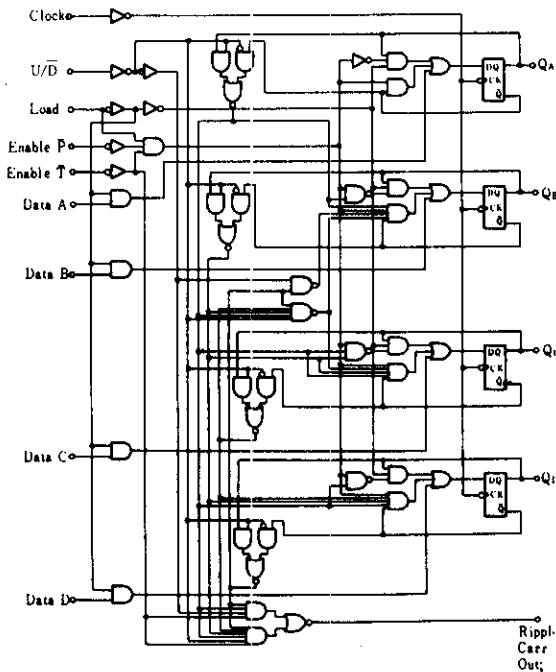
This synchronous presettable decade counter features an internal carry look-ahead for cascading in high-speed counting applications. Synchronous operation is provided by having all flip-flops clocked simultaneously so that the outputs change coincident with each other when so instructed by the count-enable inputs and internal gating. This mode of operation helps eliminate the output counting spikes that are normally associated with asynchronous (ripple-clock) counters.

A buffered clock input triggers the four master-slave flip-flops on the rising (positive-going) edge of the clock waveform. This counter is fully programmable; that is, the outputs may each be preset to either level. The load input circuitry allows loading with the carry-enable output of cascaded counters. As loading is synchronous, setting up a low level at the load input disables the counter and causes the outputs to agree with the data inputs after the next clock pulse.

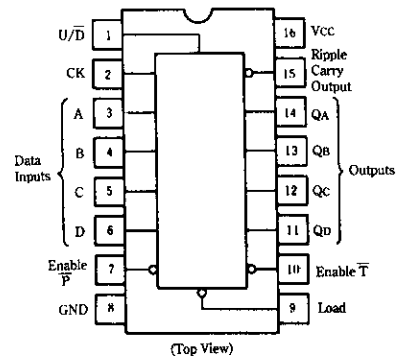
The carry look-ahead circuitry provides for cascading counters for n-bit synchronous applications without additional gating. Instrumental in accomplishing this function are two count enable inputs and a carry output. Both count enable inputs (\bar{P}

and \bar{T}) must be low to count. The direction of the count is determined by the level of the up/down input. When the input is high, the counter counts up; when low, it counts down. Input \bar{T} is fed forward to enable the carry output. The carry output thus enabled will produce a low-level output pulse with a duration approximately equal to the high portion of the Q_A output when counting up and approximately equal to the low portion of the Q_A output when counting down. This low level overflow carry pulse can be used to enable successive cascaded stages. Transitions at the enable \bar{P} or \bar{T} inputs are allowed regardless of the level of the clock input. All inputs are diode-clamped to minimize transmission-line effects, thereby simplifying system design. This counter features a fully independent clock circuit. Changes at control inputs (enable \bar{P} , Enable \bar{T} , load, up/down) that will modify the operating mode have no effect until clocking occurs. The function of the counter (whether enabled, disabled, loading, or counting) will be dictated solely by the conditions meeting the stable setup and hold times.

■ BLOCK DIAGRAM



■ PIN ARRANGEMENT



■ RECOMMENDED OPERATING CONDITIONS

Item	Symbol	min	typ	max	Unit
Output current	I_{OH}	—	—	-400	μA
Output current	I_{OL}	—	—	8	mA
Clock frequency	f_{clock}	0	—	25	MHz
Clock pulse width	$t_{w,ck}$	25	—	—	ns
Setup time	Input Data, A, B, C, D	25	—	—	ns
	Enable P, T	35	—	—	
	Load	30	—	—	
	Up/Down	35	—	—	
Hold time	t_h	0	—	—	ns

HD74LS668

■ ELECTRICAL CHARACTERISTICS ($T_a = -20 \sim +75^\circ\text{C}$)

Item	Symbol	Test Conditions	min	typ*	max	Unit	
Input voltage	V_{IH}		2	—	—	V	
	V_{IL}		—	—	0.8	V	
Output voltage	V_{OH}	$V_{CC}=4.75\text{V}$, $V_{IH}=2\text{V}$, $V_{IL}=0.8\text{V}$, $I_{OH}=-400\mu\text{A}$	2.7	—	—	V	
	V_{OL}	$V_{CC}=4.75\text{V}$, $V_{IH}=2\text{V}$, $V_{IL}=0.8\text{V}$	$I_{OL}=4\text{mA}$	—	—	0.4	V
			$I_{OL}=8\text{mA}$	—	—	0.5	V
Input current	A, B, C, D, \bar{P} , U/ \bar{D}	I_{IH}	$V_{CC}=5.25\text{V}$, $V_I=2.7\text{V}$	—	—	20	μA
	Clock, \bar{T}			—	—	20	
	Load			—	—	40	
	A, B, C, D, \bar{P} , U/ \bar{D}	I_{IL}	$V_{CC}=5.25\text{V}$, $V_I=0.4\text{V}$	—	—	-0.4	mA
	Clock, \bar{T}			—	—	-0.4	
	Load			—	—	-0.8	
	A, B, C, D, \bar{P} , U/ \bar{D}	I_I	$V_{CC}=5.25\text{V}$, $V_I=7\text{V}$	—	—	0.1	mA
	Clock, \bar{T}			—	—	0.1	
	Load			—	—	0.2	
Short-circuit output current	I_{OS}	$V_{CC}=5.25\text{V}$	-20	—	-100	mA	
Supply current **	I_{CC}	$V_{CC}=5.25\text{V}$	—	20	34	mA	
Input clamp voltage	V_{IK}	$V_{CC}=4.75\text{V}$, $I_{IK}=-18\text{mA}$	—	—	-1.5	V	

* $V_{CC}=5\text{V}$, $T_a=25^\circ\text{C}$

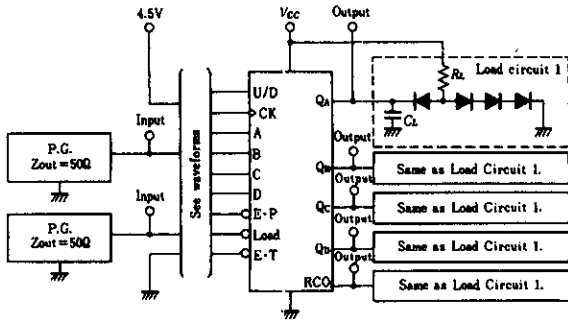
** I_{CC} is measured after applying a momentary 4.5V, then ground, to the clock input with all other inputs grounded the outputs open.

■ SWITCHING CHARACTERISTICS ($V_{CC}=5\text{V}$, $T_a=25^\circ\text{C}$)

Item	Symbol	Inputs	Outputs	Test Conditions	min	typ	max	Unit
Maximum count frequency	f_{max}				25	32	—	MHz
Propagation delay time	t_{PLH}	Clock	Ripple	$C_L=15\text{pF}$, $R_L=2\text{k}\Omega$	—	26	40	ns
	t_{PHL}		Carry		—	40	60	
	t_{PLH}	Clock	$Q_A \sim Q_D$		—	18	27	ns
	t_{PHL}				—	18	27	
	t_{PLH}	Enable \bar{T}	Ripple		—	11	17	ns
	t_{PHL}		Carry		—	29	45	
	t_{PLH}	Up/Down	Ripple		—	22	35	ns
	t_{PHL}		Carry		—	26	40	

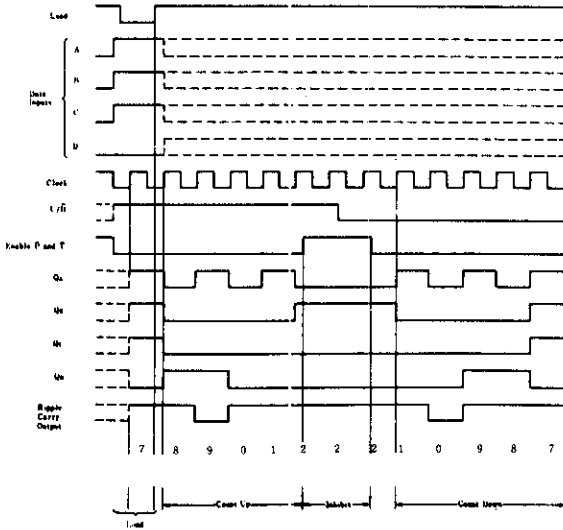
TESTING METHOD

1) Test Circuit

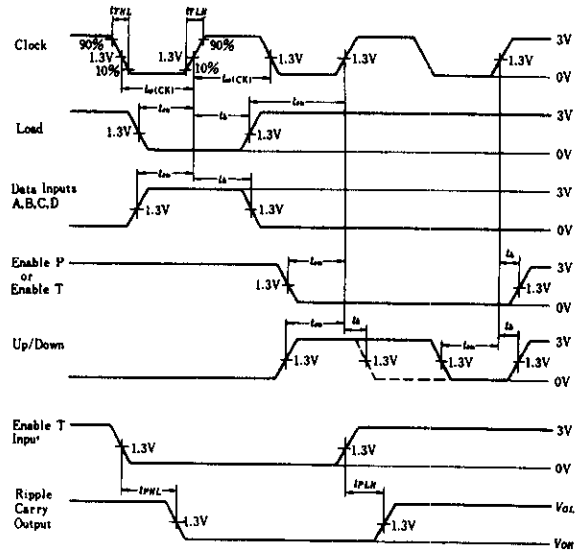


- Notes) 1. C_L includes probe and jig capacitance.
2. All diodes are 1S2074 (H).

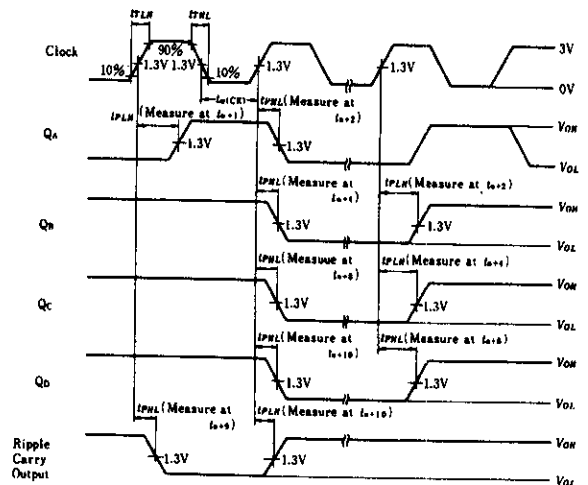
COUNT SEQUENCE



Waveform



- Notes) 1. t_{PLH} and t_{PHL} from enable \bar{T} input to ripple carry output assume that the counter is at the maximum count (Q_A and Q_D high).
2. Propagation delay time from up/down to ripple carry must be measured with the counter at either a minimum or a maximum count. As the logic level of the up/down input is changed, the ripple carry output will follow. If the count is minimum (0) the ripple carry output transition will be in phase. If the count is maximum (9) the ripple carry output will be out of phase.
3. Input pulse: $t_{TLH} \leq 15ns$, $t_{THL} \leq 6ns$, $PRR = 1MHz$



- Notes) 1. Input pulse: $t_{TLH} \leq 15ns$, $t_{THL} \leq 6ns$, $PRR = 1MHz$, duty cycle 50%.
2. For f_{max} , $t_{TLH} = t_{THL} \leq 2.5ns$.
3. t_n is the bit-time when all outputs are low.

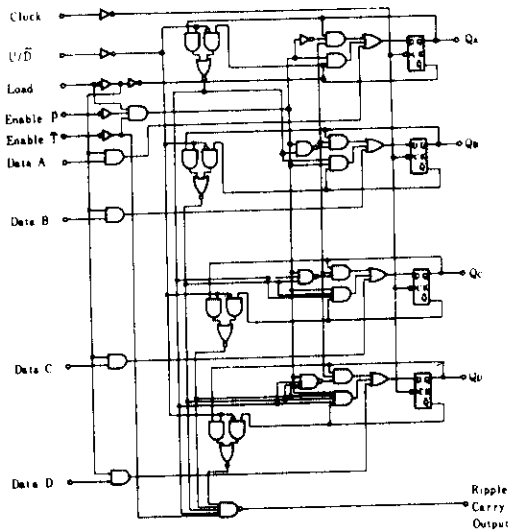
HD74LS669 • Synchronous Up/Down 4-bit Binary Counters

This synchronous presettable 4-bit binary counter features an internal carry look-ahead for cascading in high-speed counting applications. Synchronous operation is provided by having all flip-flops clocked simultaneously so that the outputs change coincident with each other when so instructed by the count-enable inputs and internal gating. This mode of operation helps eliminate the output counting spikes that are normally associated with asynchronous (ripple-clock) counters. A buffered clock input triggers the four master-slave flip-flops on the rising (positive-going) edge of the clock waveform. This counter is fully programmable; that is, the outputs may each be preset to either level. The load input circuitry allows loading with the carry-enable output of cascaded counters. As loading is synchronous, setting up a low level at the load input disables the counter and causes the outputs to agree with the data inputs after the next clock pulse. The carry look-ahead circuitry provides for cascading counters for n-bit synchronous applications without additional gating. Instrumental in accomplishing this function are two count enable inputs and a carry output. Both count enable inputs (\bar{P} and \bar{T})

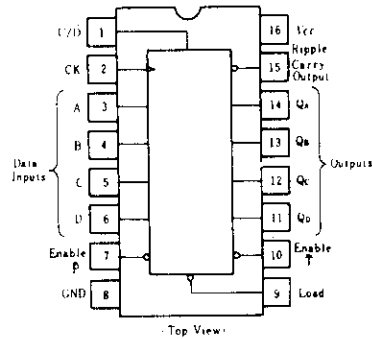
must be low to count. The direction of the count is determined by the level of the up/down input. When the input is high, the counter counts up; when low, it counts down. Input \bar{T} is fed forward to enable the carry output. The carry output thus enabled will produce a low-level output pulse with a duration approximately equal to the high portion of the Q_A output when counting up and approximately equal to the low portion of the Q_A output when counting down. This low level overflow carry pulse can be used to enable successive cascaded stages.

Transitions at the enable \bar{P} or \bar{T} inputs are allowed regardless of the level of the clock input. All inputs are diode-clamped to minimize transmission-line effects, thereby simplifying system design. This counter features a fully independent clock circuit. Changes at control inputs (enable \bar{P} , enable \bar{T} , load, up/down) that will modify the operating mode have no effect until clocking occurs. The function of the counter (whether enabled, disabled, loading, or counting) will be dictated solely by the conditions meeting the stable setup and hold times.

■ BLOCK DIAGRAM



■ PIN ARRANGEMENT



■ RECOMMENDED OPERATING CONDITIONS

Item	Symbol	min	typ	max	Unit
Output current	I_{OH}	—	—	-400	μA
Output current	I_{OL}	—	—	8	mA
Clock frequency	f_{CLK}	0	—	25	MHz
Clock pulse width	$t_{w,CK}$	25	—	—	ns
Setup time	Input Data A, B, C, D	25	—	—	ns
	Enable \bar{P} , \bar{T}	35	—	—	
	Load	30	—	—	
	Up/Down	35	—	—	
Hold time	t_h	0	—	—	ns

■ ELECTRICAL CHARACTERISTICS ($T_a = -20 \sim +75^\circ\text{C}$)

Item		Symbol	Test Conditions	min	typ*	max	Unit	
Input voltage		V_{IH}		2	—	—	V	
		V_{IL}		—	—	0.8	V	
Output voltage		V_{OH}	$V_{CC}=4.75\text{V}, V_{IH}=2\text{V}, V_{IL}=0.8\text{V}, I_{OH}=-400\mu\text{A}$	2.7	—	—	V	
		V_{OL}	$V_{CC}=4.75\text{V}, V_{IH}=2\text{V}, V_{IL}=0.8\text{V}$	$I_{OL}=4\text{mA}$	—	—	0.4	V
				$I_{OL}=8\text{mA}$	—	—	0.5	V
Input current	A, B, C, D, \bar{P} , U/ \bar{D}	I_{IH}	$V_{CC}=5.25\text{V}, V_I=2.7\text{V}$	—	—	20	μA	
	Clock, \bar{T}			—	—	20		
	Load			—	—	40		
	A, B, C, D, \bar{P} , U/ \bar{D}	I_{IL}	$V_{CC}=5.25\text{V}, V_I=0.4\text{V}$	—	—	-0.4	mA	
	Clock, \bar{T}			—	—	-0.4		
	Load			—	—	-0.8		
	A, B, C, D, \bar{P} , U/ \bar{D}	I_I	$V_{CC}=5.25\text{V}, V_I=7\text{V}$	—	—	0.1	mA	
	Clock, \bar{T}			—	—	0.1		
	Load			—	—	0.2		
Short-circuit output current	I_{OS}	$V_{CC}=5.25\text{V}$	-20	—	-100	mA		
Supply current **	I_{CC}	$V_{CC}=5.25\text{V}$	—	20	34	mA		
Input clamp voltage	V_{IK}	$V_{CC}=4.75\text{V}, I_{IN}=-18\text{mA}$	—	—	-1.5	V		

* $V_{CC}=5\text{V}, T_a=25^\circ\text{C}$

** I_{CC} is measured after applying a momentary 4.5V, then ground, to clock input with all other inputs grounded the outputs open.

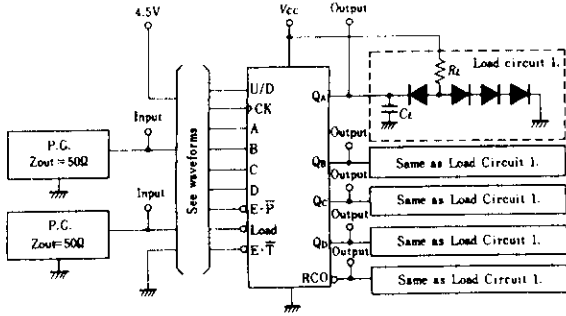
■ SWITCHING CHARACTERISTICS ($V_{CC}=5\text{V}, T_a=25^\circ\text{C}$)

Item	Symbol	Inputs	Outputs	Test Conditions	min	typ	max	Unit
Maximum count frequency	f_{max}				25	32	—	MHz
Propagation delay time	t_{PLH}	Clock	Ripple	$C_L=15\text{pF}, R_L=2\text{k}\Omega$	—	26	40	ns
	t_{PHL}		Carry		—	40	60	
	t_{PLH}	Clock	$Q_A \sim Q_D$		—	18	27	ns
	t_{PHL}				—	18	27	
	t_{PLH}	Enable \bar{T}	Ripple		—	11	17	ns
	t_{PHL}		Carry		—	29	45	
	t_{PLH}	Up/Down	Ripple		—	22	35	ns
	t_{PHL}		Carry		—	26	40	

HD74LS669

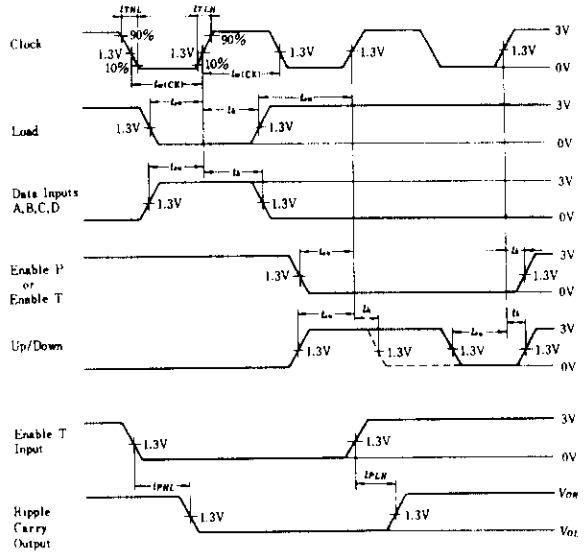
TESTING METHOD

1) Test Circuit



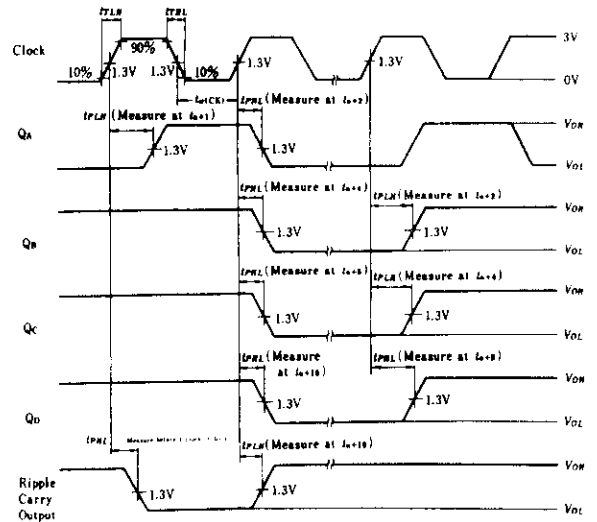
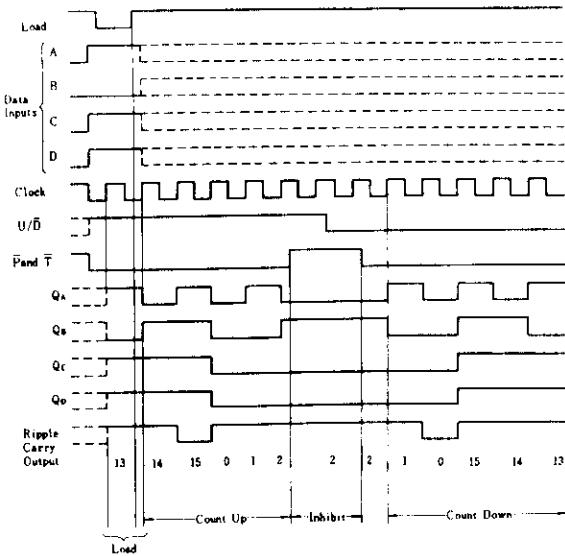
- Notes) 1. C_L includes probe and jig capacitance.
2. All diodes are 1S2074 (H).

Waveform



- Notes) 1. t_{PLH} and t_{PHL} from enable \bar{T} input to ripple carry output assume that the counter is at the maximum count (Q_A through Q_D high).
2. Propagation delay time from up/down to ripple carry must be measured with the counter at either a minimum or a maximum count. As the logic level of the up/down input is changed, the ripple carry output will follow. If the count is minimum (0) the ripple carry output transition will be in phase. If the count is maximum (15) the ripple carry output will be out of phase.
3. Input pulse: $t_{TLH} \leq 15ns$, $t_{THL} \leq 6ns$, $PRR = 1MHz$

COUNT SEQUENCE



- Notes) 1. Input pulse: $t_{TLH} \leq 15ns$, $t_{THL} \leq 6ns$, $PRR = 1MHz$, duty cycle 50%.
2. For f_{max} : $t_{TLH} + t_{THL} \leq 2.5ns$.
3. t_n is the bit-time when all outputs are low.

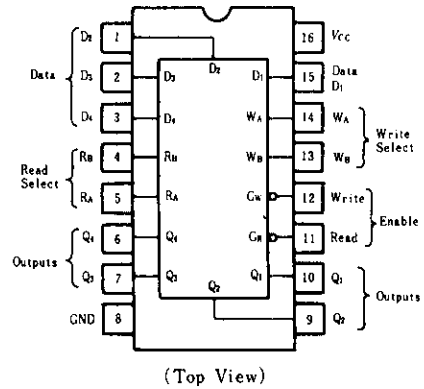
HD74LS670 ● 4-by-4 Register File (with three-state outputs)

The HD74LS670, 16-bit register files incorporate the equivalent of 98 gates. The register file is organized as 4 words of 4 bits each and separate on-chip decoding is provided for addressing the the four word locations to either write-in or retrieve data.

This permits simultaneous writing into one location and reading from another word location. Four data inputs are available which are used to supply the 4-bit word to be stored. Location of the word is determined by the write-address inputs A and B in conjunction with a write-enable signal. Data applied at the inputs should be in its true form. That is, if a high-level signal is desired from the output, a high-level is applied at the data input for that particular bit location. The latch inputs are arranged so that new data will be accepted only if both internal address gates are high. When this condition exists, data at the D input is transferred to the latch output. When the write-enable input, G_W , is high, the data inputs are inhibited and their levels can cause no change in the information stored in the internal latches. When the read-enable input, G_R , is high, the data outputs are inhibited and go into the high-impedance state. The individual address lines permit direct acquisition of data stored in any four of the latches. Four individual decoding gates are used to complete the address for reading a word.

When the read address is made in conjunction with the read-enable signal, the word appears at the four outputs.

■ PIN ARRANGEMENT



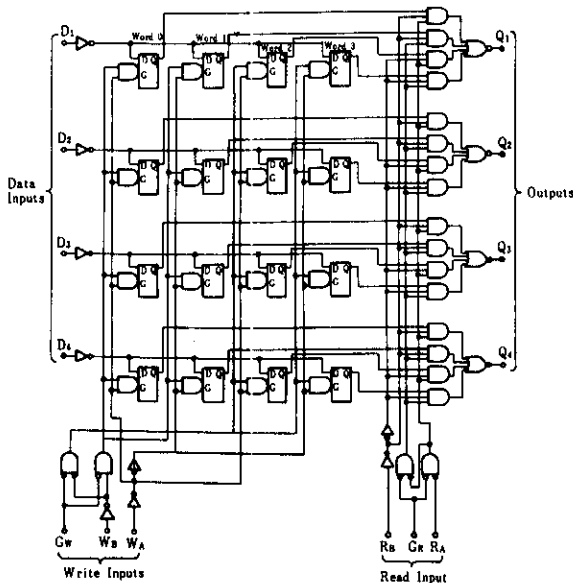
■ FUNCTION TABLE

Write Inputs			Word			
W_B	W_A	G_W	0	1	2	3
L	L	L	$Q = D$	Q_0	Q_0	Q_0
L	H	L	Q_0	$Q = D$	Q_0	Q_0
H	L	L	Q_0	Q_0	$Q = D$	Q_0
H	H	L	Q_0	Q_0	Q_0	$Q = D$
×	×	H	Q_0	Q_0	Q_0	Q_0

Read Inputs			Outputs			
R_B	R_A	G_R	Q_1	Q_2	Q_3	Q_4
L	L	L	$W_0 B_1$	$W_0 B_2$	$W_0 B_3$	$W_0 B_4$
L	H	L	$W_1 B_1$	$W_1 B_2$	$W_1 B_3$	$W_1 B_4$
H	L	L	$W_2 B_1$	$W_2 B_2$	$W_2 B_3$	$W_2 B_4$
H	H	L	$W_3 B_1$	$W_3 B_2$	$W_3 B_3$	$W_3 B_4$
×	×	H	Z	Z	Z	Z

Notes: H = high level, L = low level, X = irrelevant, Z = high impedance (off)
 (Q=D) = The four selected internal flip-flop outputs will assume the states applied to the four external data inputs.
 Q_0 = The level of Q before the indicated input conditions were established.
 $W_0 B_1$ = The first bit of word 0, etc.

■ BLOCK DIAGRAM



HD74LS670

RECOMMENDED OPERATING CONDITIONS

Item	Symbol	min	typ	max	Unit	
Supply voltage	V_{CC}	4.75	5.00	5.25	V	
Output current	I_{OH}	—	—	-2.6	mA	
	I_{OL}	—	—	8	mA	
Pulse width	Read enable	t_w	25	—	—	ns
	Write enable		60	—	—	
Setup time	Data	t_{st}	10	—	—	ns
	Write enable		15	—	—	
Hold time	Data	t_h	15	—	—	ns
	Write enable		5	—	—	
Latch time	t_{latch}	60	—	—	ns	

ELECTRICAL CHARACTERISTICS ($T_a = -20 \sim +75^\circ\text{C}$)

Item	Symbol	Test Conditions	min	typ*	max	Unit	
Input voltage	V_{IH}		2.0	—	—	V	
	V_{IL}		—	—	0.8	V	
Output voltage	V_{OH}	$V_{CC}=4.75\text{V}$, $V_{IH}=2\text{V}$, $V_{IL}=0.8\text{V}$, $I_{OH}=-2.6\text{mA}$	2.4	—	—	V	
	V_{OL}	$V_{CC}=4.75\text{V}$, $V_{IH}=2\text{V}$, $V_{IL}=0.8\text{V}$	—	—	0.4	V	
Off-state output current	I_{OZH}	$V_{CC}=5.25\text{V}$, $V_{IH}=2\text{V}$	$V_O=2.7\text{V}$	—	—		20
	I_{OZL}		$V_O=0.4\text{V}$	—	—	-20	
Input current	I_{IH}	$V_{CC}=5.25\text{V}$, $V_I=2.7\text{V}$	Any D, R or W	—	—	20	μA
			G_W	—	—	40	
			G_R	—	—	60	
	I_{IL}	$V_{CC}=5.25\text{V}$, $V_I=0.4\text{V}$	Any D, R or W	—	—	-0.4	mA
			G_W	—	—	-0.8	
			G_R	—	—	-1.2	
I_I	$V_{CC}=5.25\text{V}$, $V_I=7\text{V}$	Any D, R or W	—	—	0.1	mA	
		G_W	—	—	0.2		
		G_R	—	—	0.3		
Short-circuit output current	I_{OS}	$V_{CC}=5.25\text{V}$	-30	—	-130	mA	
Supply current	I_{CC}^{**}	$V_{CC}=5.25\text{V}$	—	30	50	mA	
Input clamp voltage	V_{IK}	$V_{CC}=4.75\text{V}$, $I_{IN}=-18\text{mA}$	—	—	-1.5	V	

* $V_{CC}=5\text{V}$, $T_a=25^\circ\text{C}$

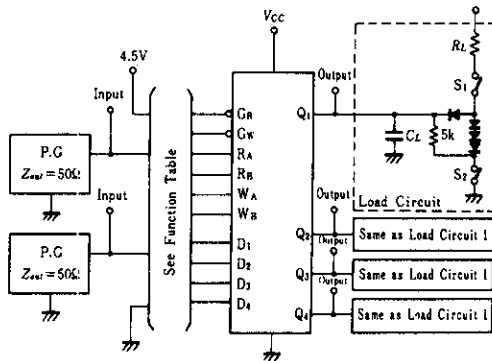
** : Maximum I_{CC} is guaranteed for the following worst case conditions: 4.5V is applied to all data inputs and both enable inputs, all address inputs are grounded and all outputs are open.

SWITCHING CHARACTERISTICS ($V_{CC}=5\text{V}$, $T_a=25^\circ\text{C}$)

Item	Symbol	Inputs	Outputs	Test Conditions	min	typ	max	Unit	
Propagation delay time	t_{PLH}	Read select	$Q_1 \sim Q_4$	$C_L=15\text{pF}$, $R_L=2\text{k}\Omega$	—	23	40	ns	
	t_{PHL}				—	25	45		
	t_{PLH}	Write enable	$Q_1 \sim Q_4$		—	26	45		
	t_{PHL}				—	28	50		
	Output enable time	t_{PLH}	Data		$Q_1 \sim Q_4$	—	25		45
		t_{PHL}				—	23		40
Output disable time	t_{ZH}	Read enable	$Q_1 \sim Q_4$	$C_L=5\text{pF}$, $R_L=2\text{k}\Omega$	—	15	35		
	t_{ZL}				—	22	40		
Output disable time	t_{HZ}			—	—	—	30	50	
	t_{LZ}			—	—	—	16	35	

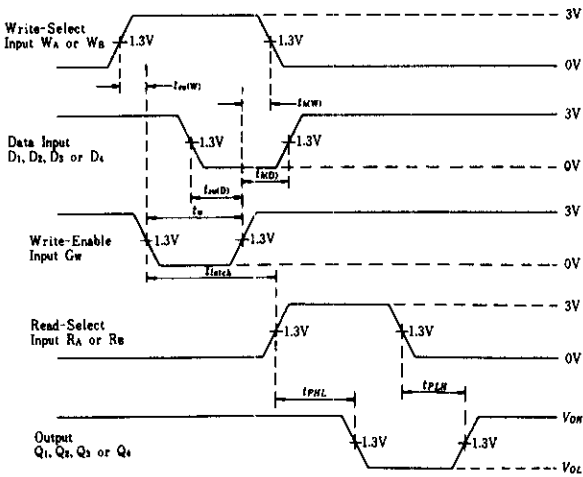
TESTING METHOD

Test Circuit



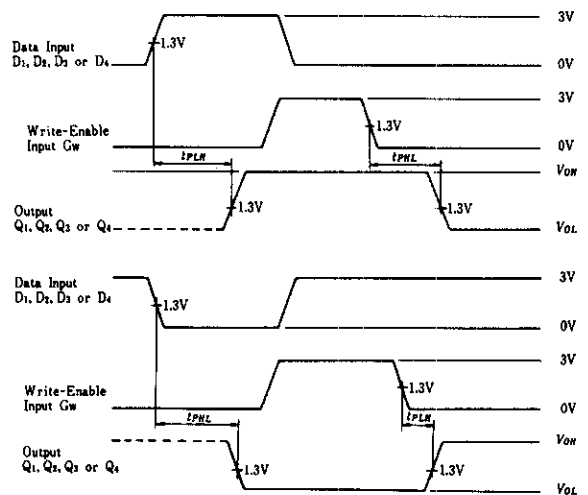
- Notes:
1. C_L includes probe and jig capacitance.
 2. All diodes are 1S2074 $\text{\textcircled{R}}$.

Waveform-1



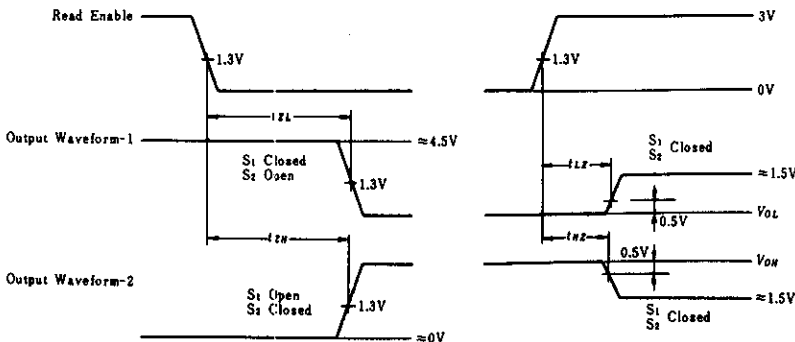
- Notes:
1. High-level input pulses at the select and data inputs are illustrated; however, times associated with low-level pulses are measured from the same reference points.
 2. When measuring delay times from a read-select inputs, the read-enable input is low.
 3. Input pulse; $t_{PLH} \geq 15\text{ns}$, $t_{PHL} \geq 6\text{ns}$, $PRR = 1\text{MHz}$, duty cycle 50%

Waveform-2



- Note:
- Each select address is tested. Prior to the start of each of the above test both write and read address inputs are stabilized with $W_A=R_A$ and $W_B=R_B$. During the test G_R is low.

Waveform-3



Waveform A is for an output with internal conditions such that the output is low except when disabled by the read-enable input. Waveform B is for an output with internal conditions such that the output is high except when disabled by the read-enable input.